

Specification

Aluminium 6063-T6 alloy to BS EN 755-9 standard, powder coated to BS 6496 to 60 – 80 micron finish.

Aluminium Finish: White – RAL 9003 Satin.

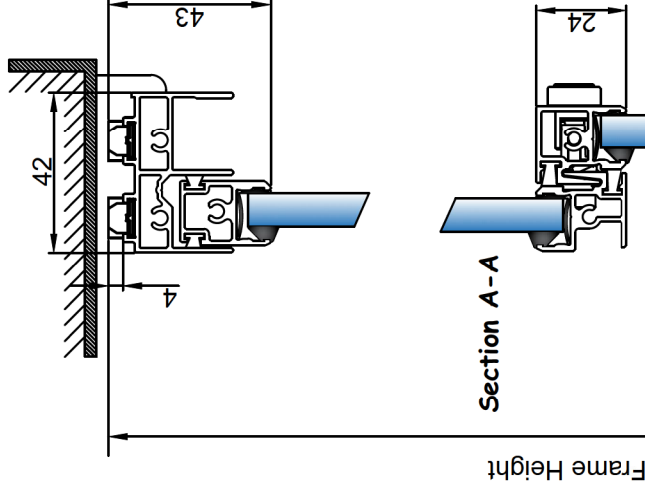
Glazing: All frames are factory glazed.

Gasket colour: White.

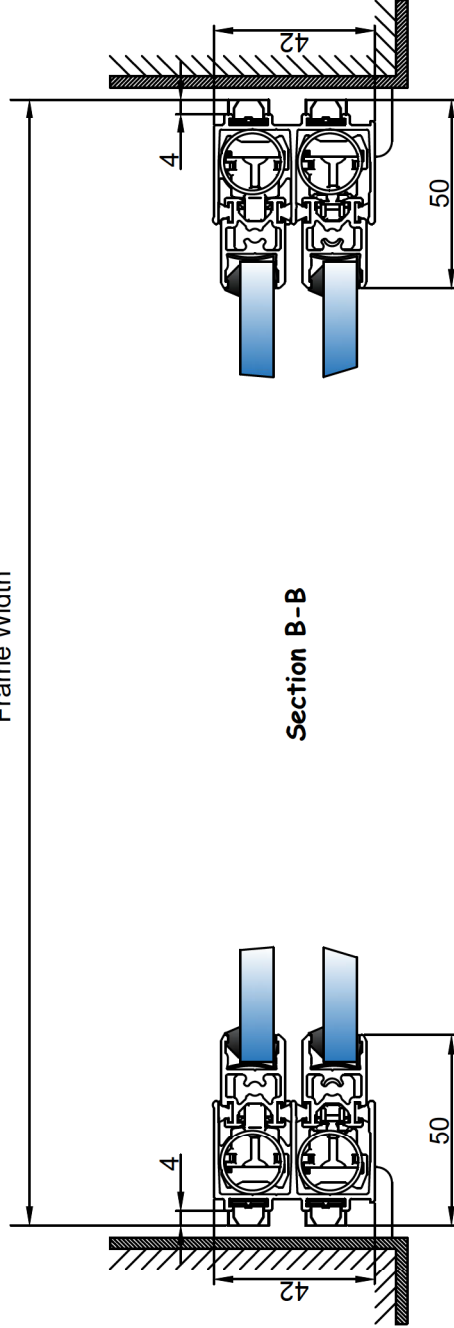
Trim: 27mm uPVC Single Bullnosed White.

Ironmongery: Non-Locking as standard or a Locking option.

In line with our company policy of continuous product development and improvement, Granada reserves the right to make minor alterations to specification without notice.



Frame Width



PROJECT:
Standard Details

TITLE:
Slide past BVS Balanced Vertical Slider, Face Fix, No sub frame, up to 10.8mm glass

07/07/21

DATE:

PROJECT NO.

-

CHECKED:

RH

DRAWN:

AB

DRAWING NO.

GSG_001

NTS



Campbell Way
Dinnington
Sheffield
S25 3QD

Tel: 01909 499 899
W: www.granadaglazing.com