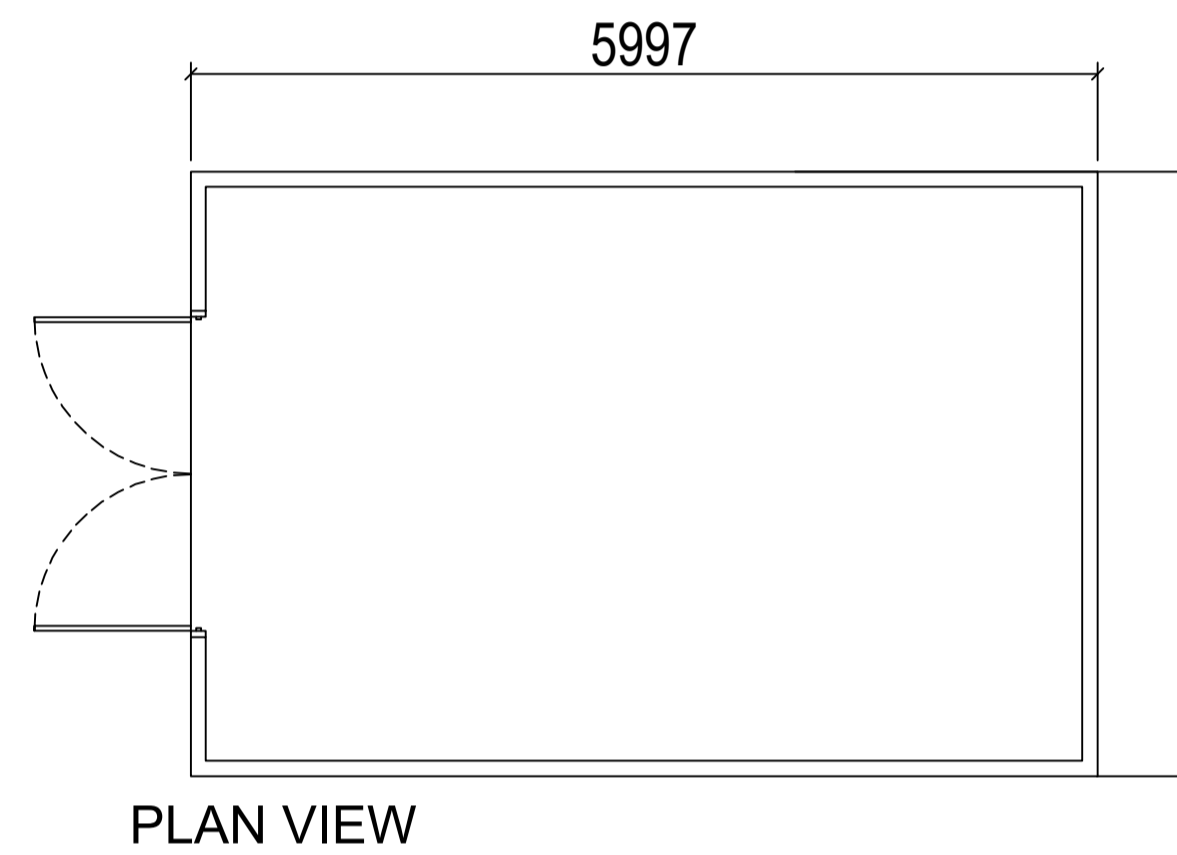
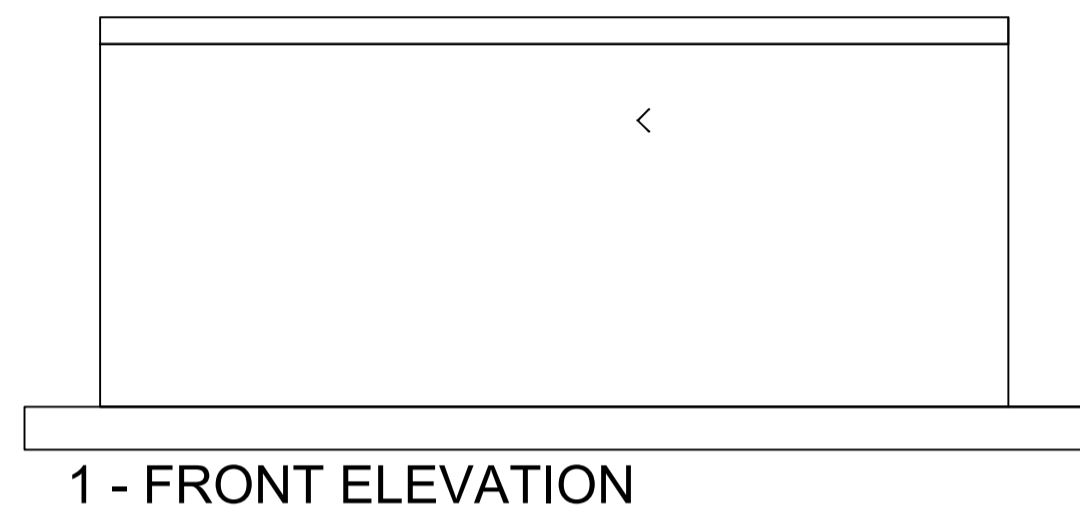


SCALE FOR PLANNING PURPOSES ONLY
 Architects are to be notified of any discrepancies.
 Contractors must check all dimensions on site.
 This drawing is subject to copyright laws and is for use on this project only.
 This drawing is to be used solely for the information as titled only.
 For other information refer to the latest revision of any cross referenced drawings.
 To be read in conjunction with relevant design standards/protocols.

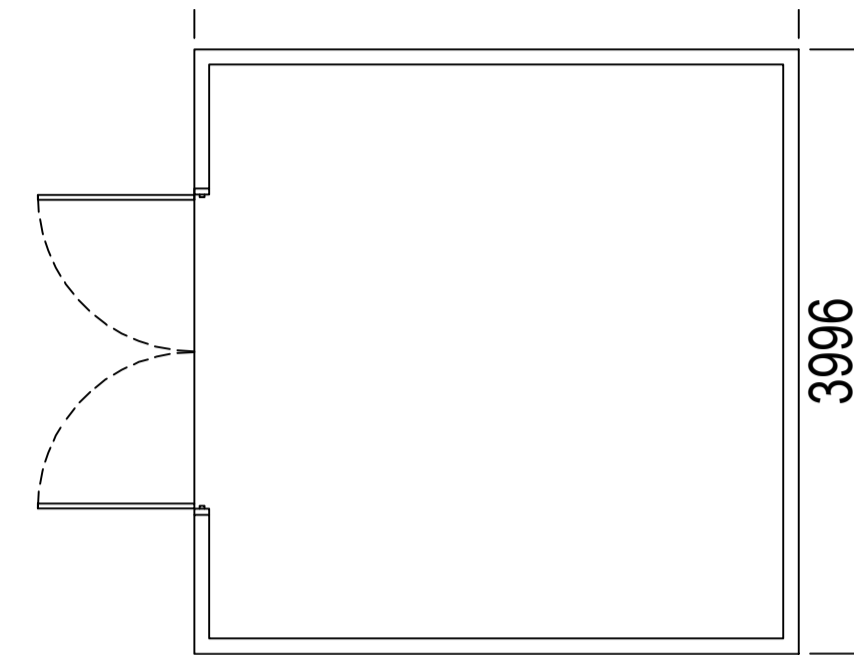


PLAN VIEW



1 - FRONT ELEVATION

GRP SUBSTATION HOUSING
 COLOUR: DARK GREEN

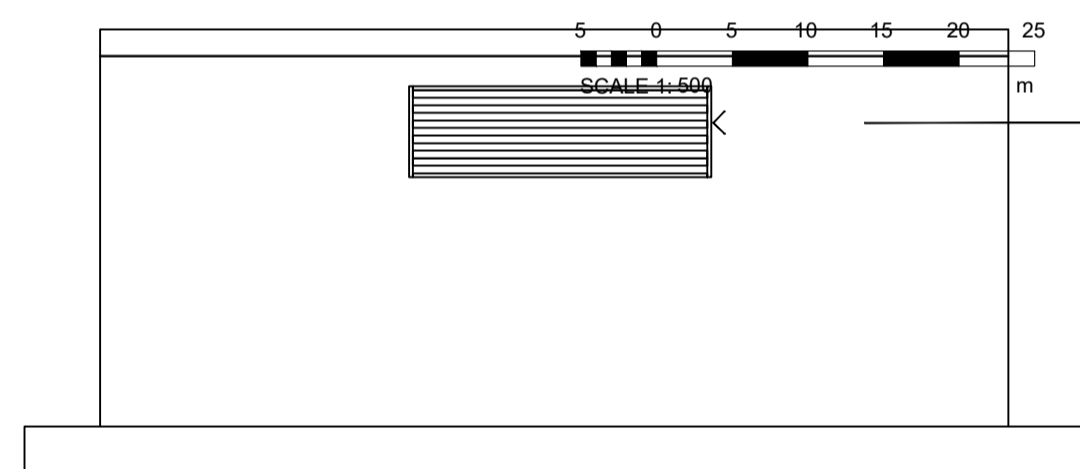


PLAN VIEW



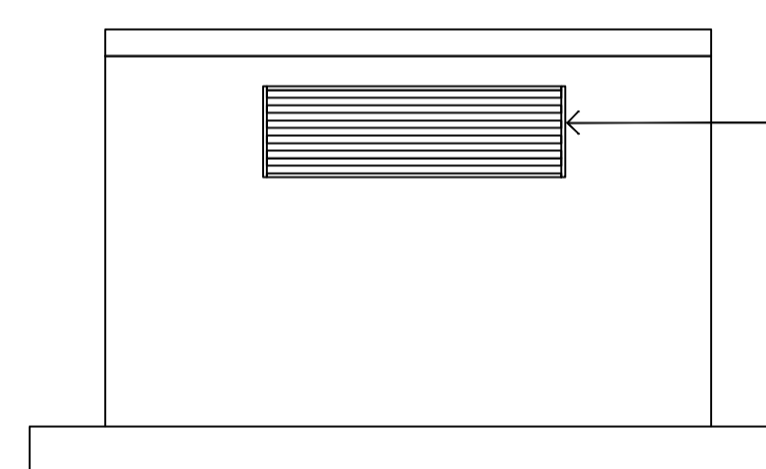
1 - FRONT ELEVATION

GRP SUBSTATION HOUSING
 COLOUR: DARK GREEN



3 - REAR ELEVATION

VENTILATION GRILLS TO
 SUBSTATION
 SUPPLIER DETAILS

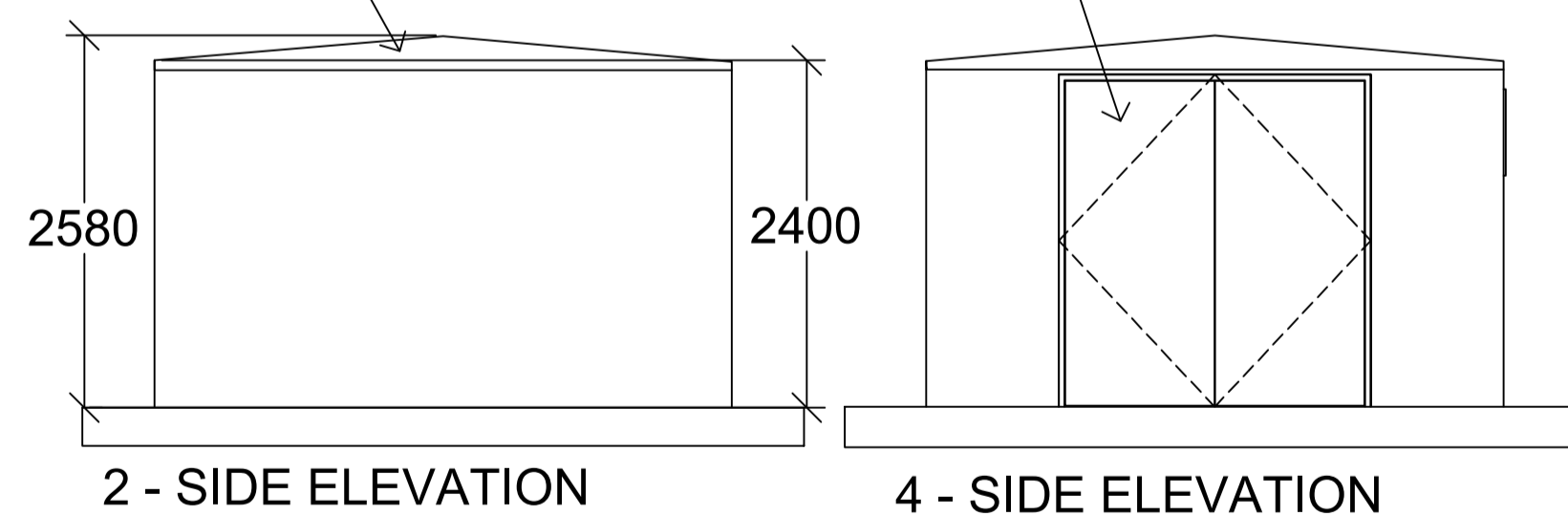


3 - REAR ELEVATION

VENTILATION GRILLS TO
 SUBSTATION
 SUPPLIER DETAILS

GRP SUBSTATION HOUSING
 COLOUR: DARK GREEN (RAL 6005)

GRP LOCKABLE DOORS
 COLOUR TO MATCH UNIT

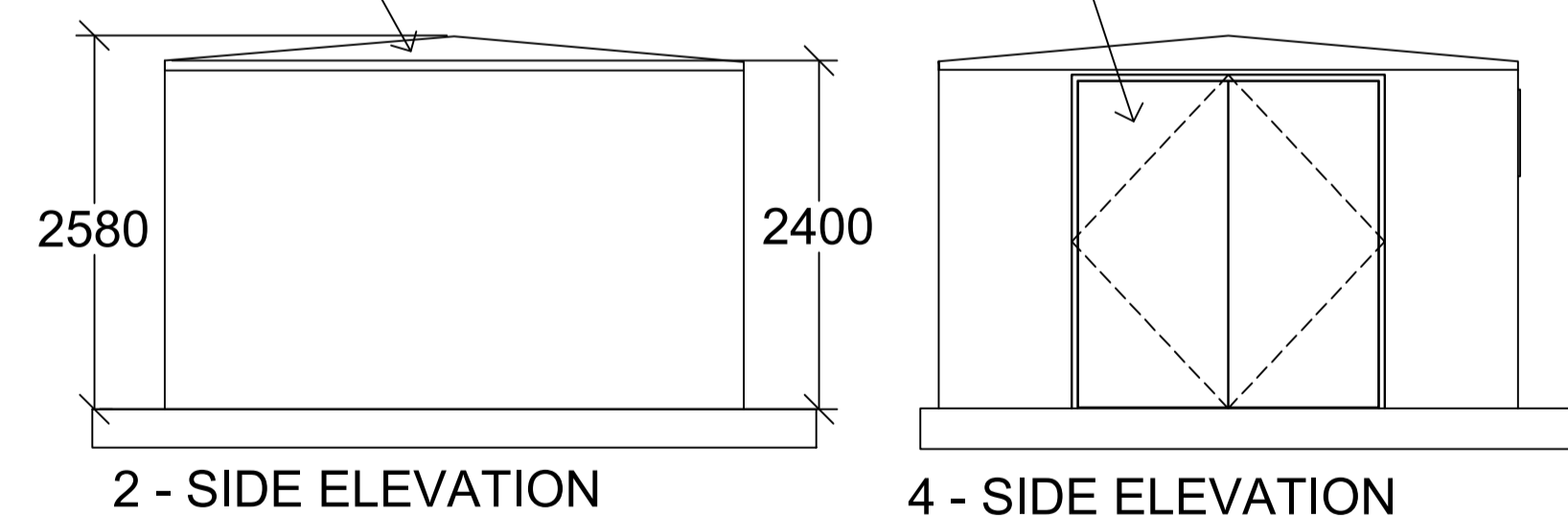


2 - SIDE ELEVATION

4 - SIDE ELEVATION

GRP SUBSTATION HOUSING
 COLOUR: DARK GREEN (RAL 6005)

GRP LOCKABLE DOORS
 COLOUR TO MATCH UNIT



2 - SIDE ELEVATION

4 - SIDE ELEVATION

Substation Details
 1:50



REV	DATE	DESCRIPTION	AH	MA
A	29.01.21	UPDATED FOLLOWING COMMENTS	AH	MA
#	28.01.21	FIRST ISSUE	AH	MA

AMENDMENTS

STATUS: PLANNING

CLIENT:



PROJECT NAME:

SOUTHAM ROAD, BANBURY

PROJECT ADDRESS:

Southam Rd, Banbury OX16 2DJ

DRAWING TITLE:

SUBSTATION DETAILS

JOB NO:	DRG NO:	REVISION:
20-6507	P13	A

DATE:	SCALE:	SHEET SIZE:
JAN 21	1:50	A1



1 CARDALE PARK, BECKWITH HEAD ROAD
 HARROGATE, N.YORKSHIRE, HG3 1RZ
 WWW.SSA-ARCHITECTS.CO.UK
 T: 01423 856999