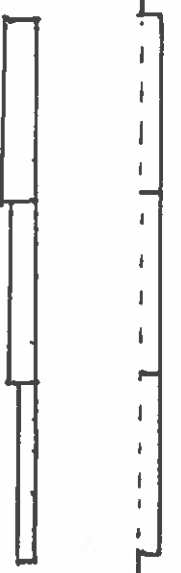


0 2 4 6 8 10 20 30M 1:400
 0 1 2 3 4 5 10 15M 1:200
 PAPER SIZE A3
 SWANCLIFFE PARK EQUESTRIAN DWG KSA1

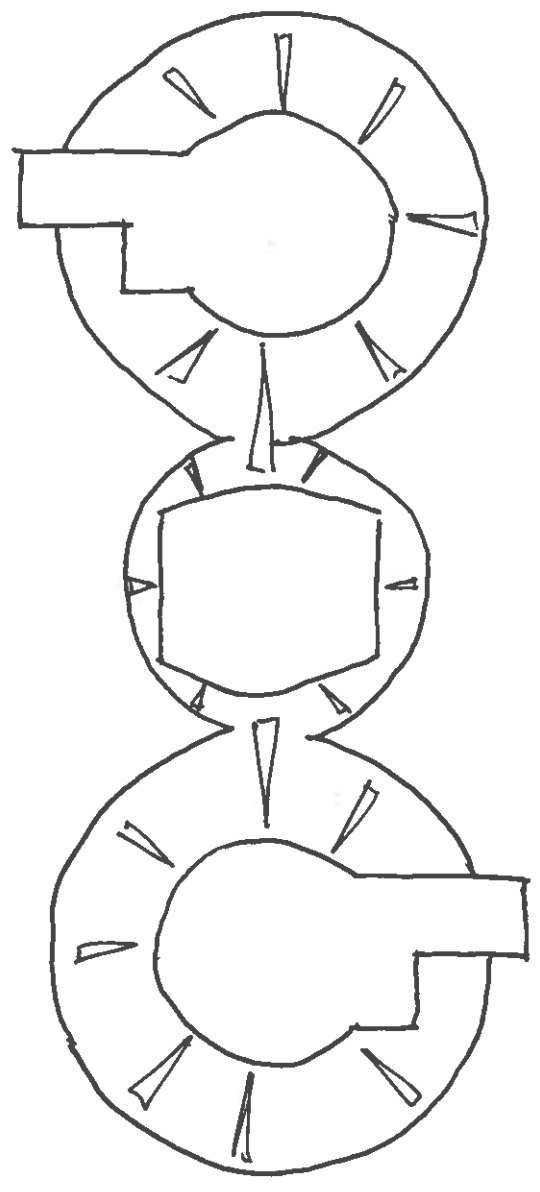
JUMP 2.
 3 NO. DITCHES 0.5M DEEP
 5 x 0.5M
 5 x 0.75M
 5 x 1M



JUMP 1.
 2 NO MOUNDS 1M HIGH WITH TABLET
 1 NO DEPRESSION 0.5M DEEP.

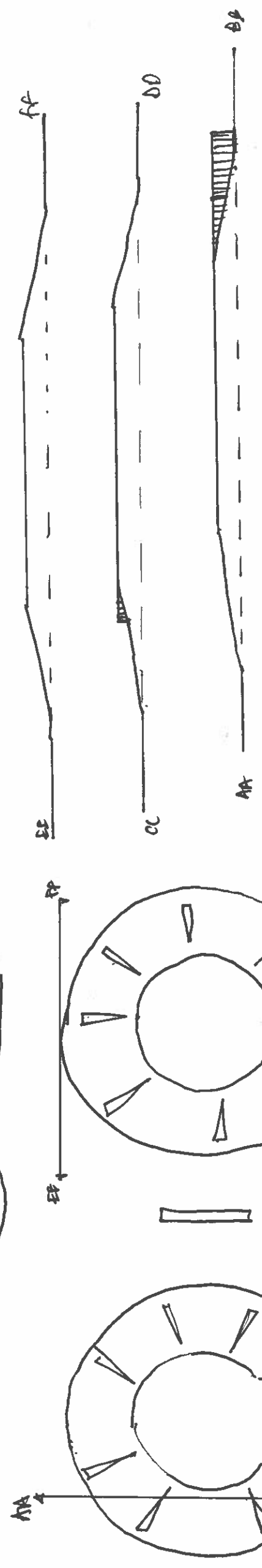


ELEVATION / CROSS SECTION 1:200

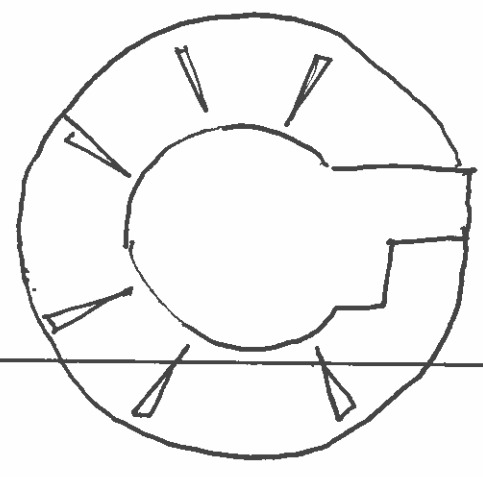
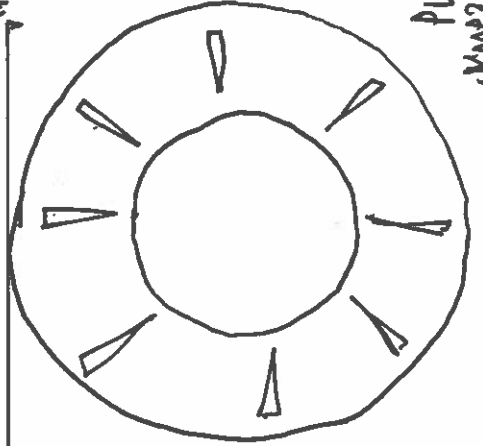
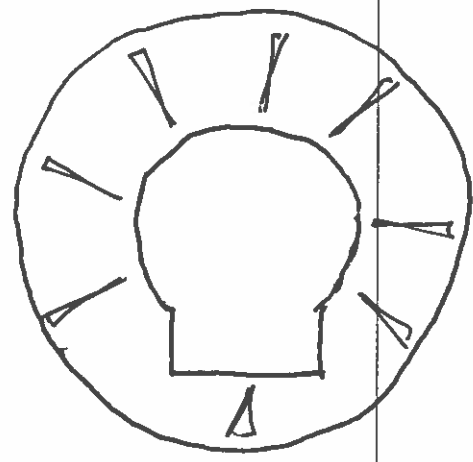


JUMP 1
 PLAN 1:400

JUMP 3. 3 NO MOUNDS 2M DITCHES
 (2M WITH TABLET).



JUMP 3 ELEVATION / CROSS SECTION
 1:200



JUMP 3
 PLAN 1:400