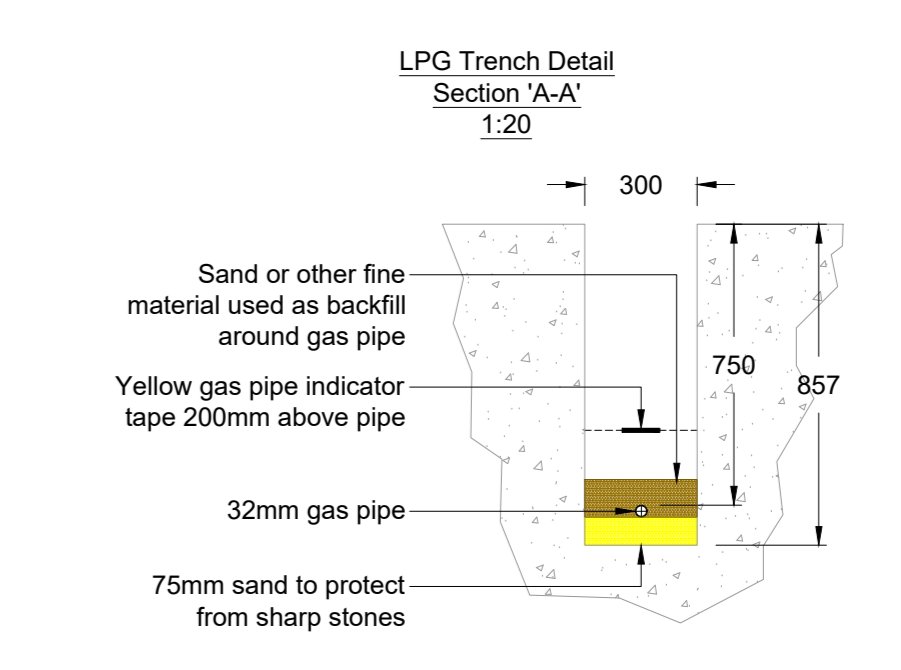
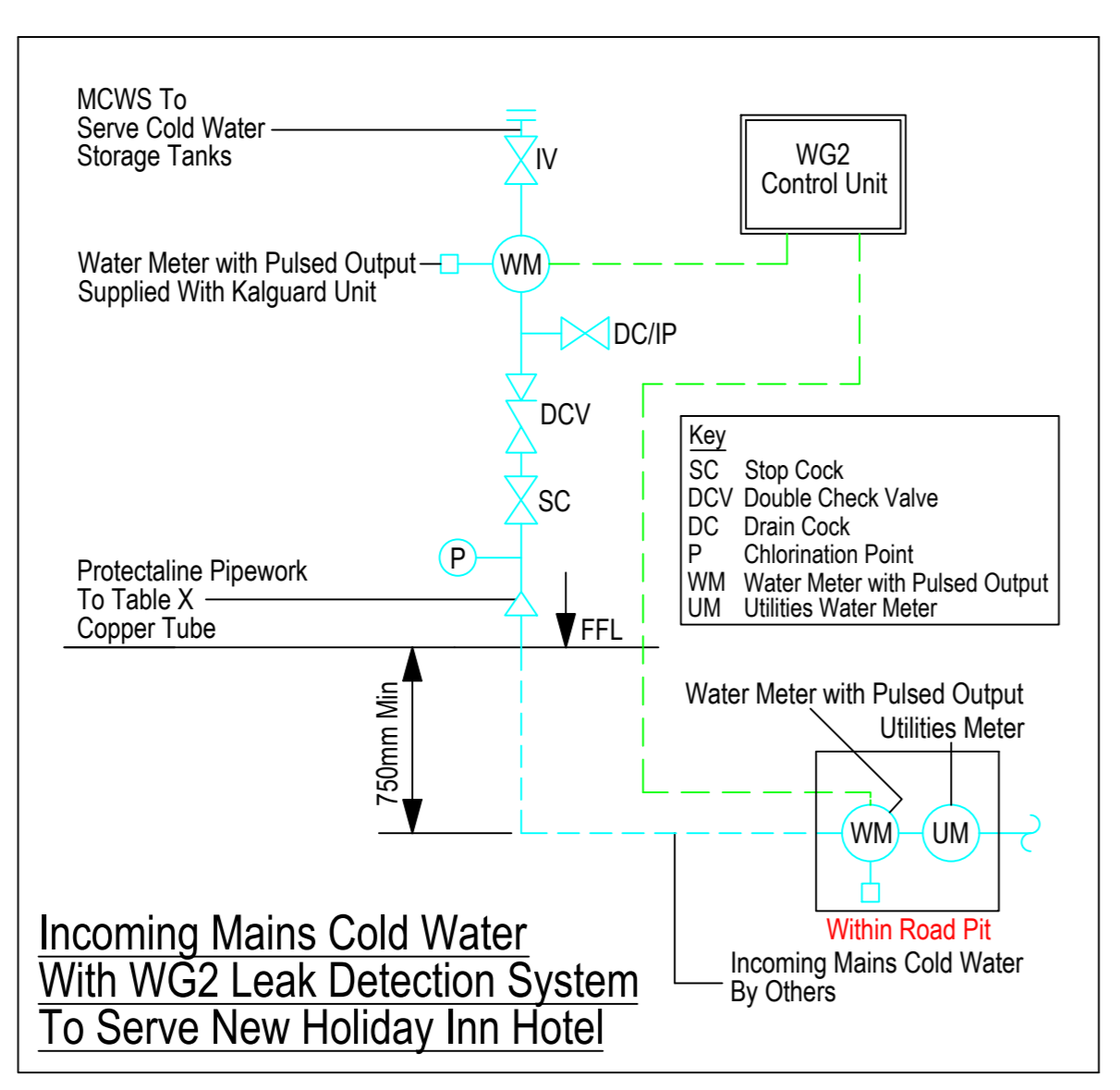
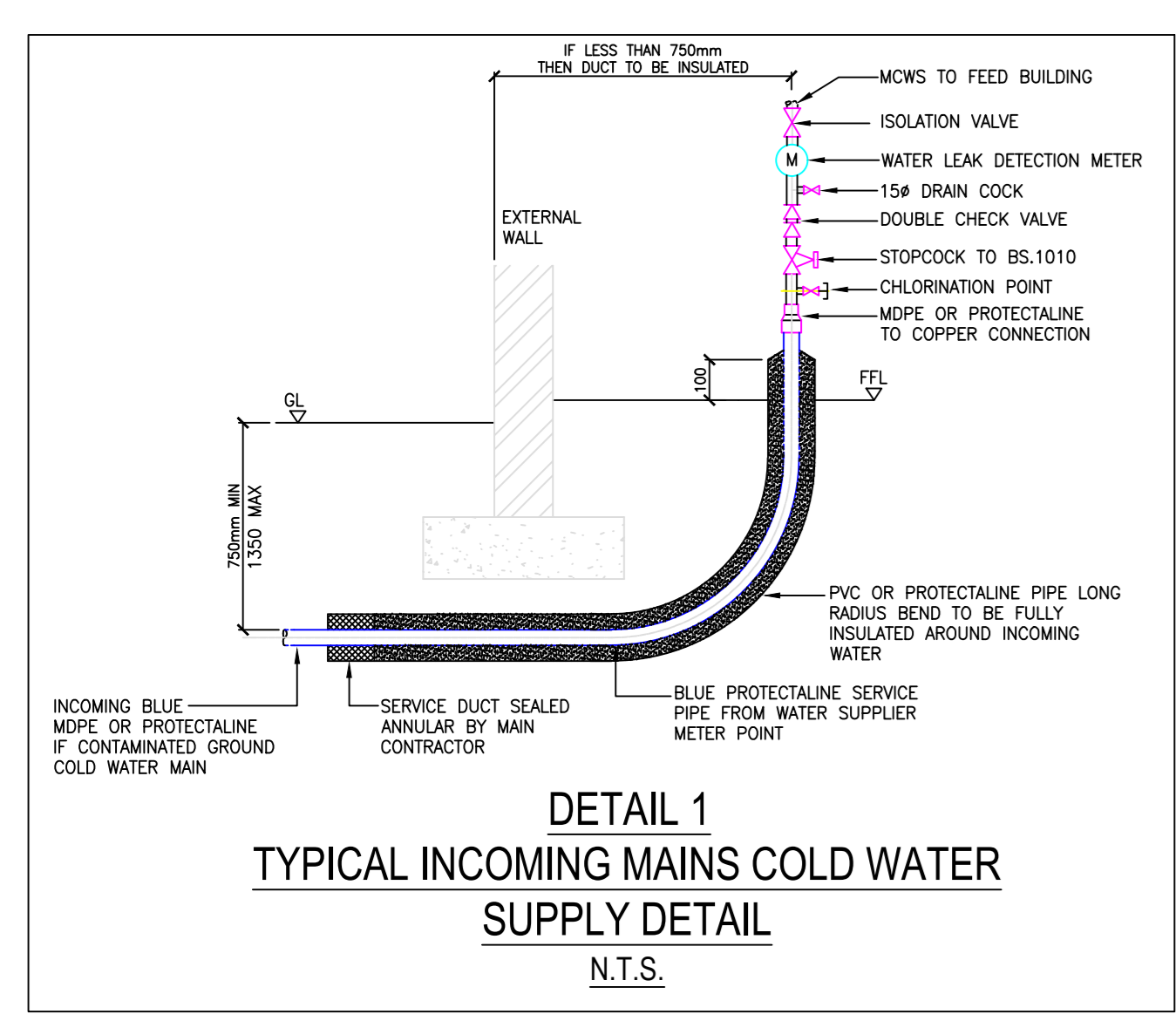
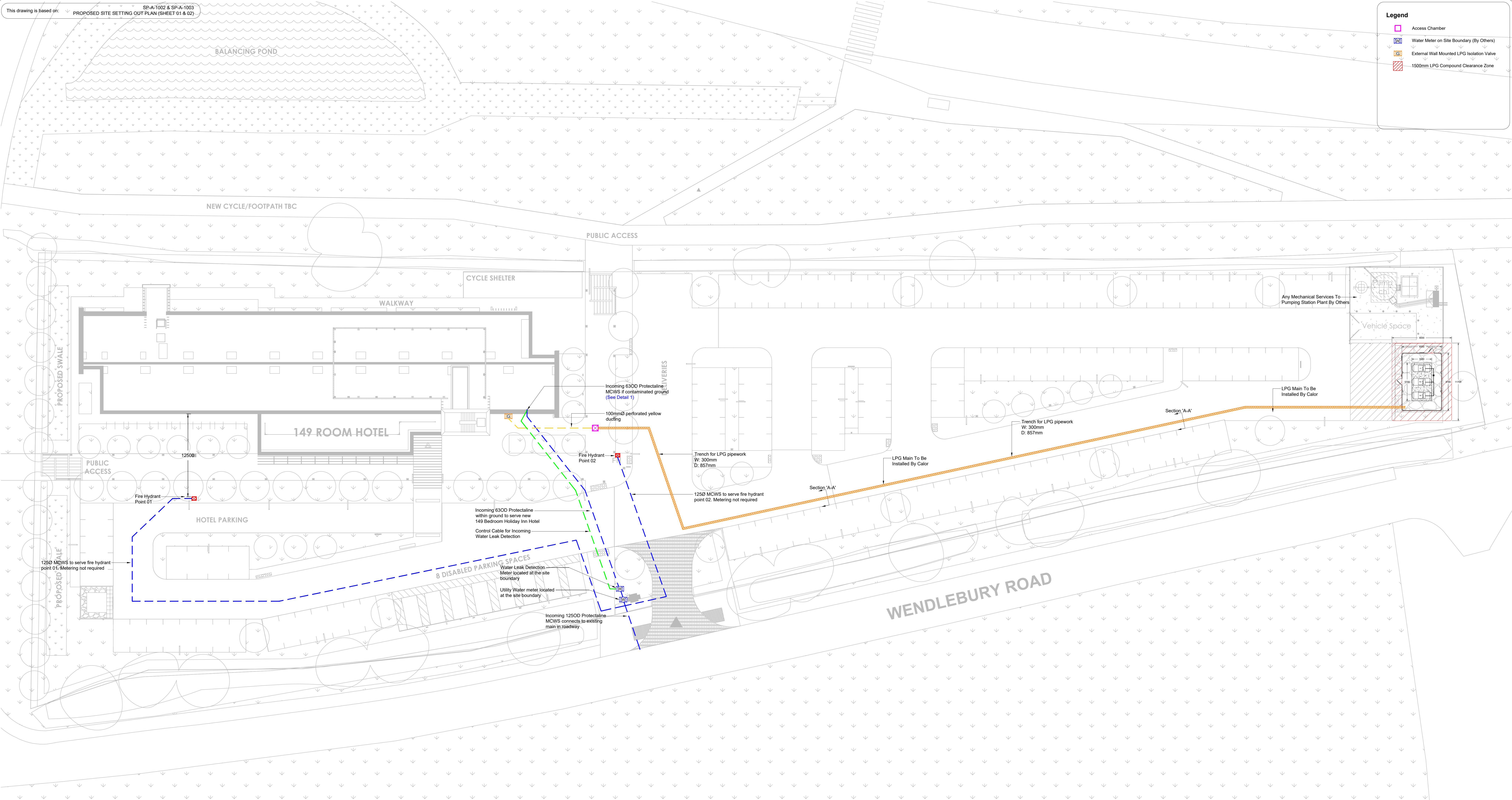


This drawing is based on: SP-A-1002 & SP-A-1003  
 PROPOSED SITE SETTING OUT PLAN (SHEET 01 & 02)

- Legend**
- Access Chamber
  - Water Meter on Site Boundary (By Others)
  - External Wall Mounted LPG Isolation Valve
  - 1500mm LPG Compound Clearance Zone



Rev.	Date	Description	AG	IM
F	20.12.19	Architects Site Plan Xref Updated	AG	IM
E	25.09.19	Updated After Further Comments By Nior	AG	IM
D	17.09.19	Title Block Updated & Comments Incorporated	AG	IM
C	09.08.19	Trench Position Amended & Separate Incoming Water Main For Fire Hydrants Added	AG	IM
B	23.07.19	LPG Tank Repositioned & Fire Hydrants Added	AG	IM
A	02.07.19	For comment / Approval	AG	IM

**Mechanical Contractors (Ashfield) Ltd**  
 Mechanical Engineers & Contractors  
 6 Newlands Court, Althorpe Road, Buntingford, Suffolk IP8 3GF  
 Tel: 0121-785-4100 Email: info@mc-c.co.uk Web: www.mc-c.co.uk

**Elliott**  
 BUILDING & CIVIL ENGINEERING

**Holiday Inn Express  
 Biocester**

**External Incoming  
 Water, Gas & Fire Hydrants Layout**

Drawn By: AG Approved By: IM Date: 02.07.19 Scale: 1:2000/A0  
 Drawing Number: M19002/M/500  
 Revision: F