

Begbroke Campus Stage 3 : Landscape Design

Proposed Street Furniture - Supporting Images

01



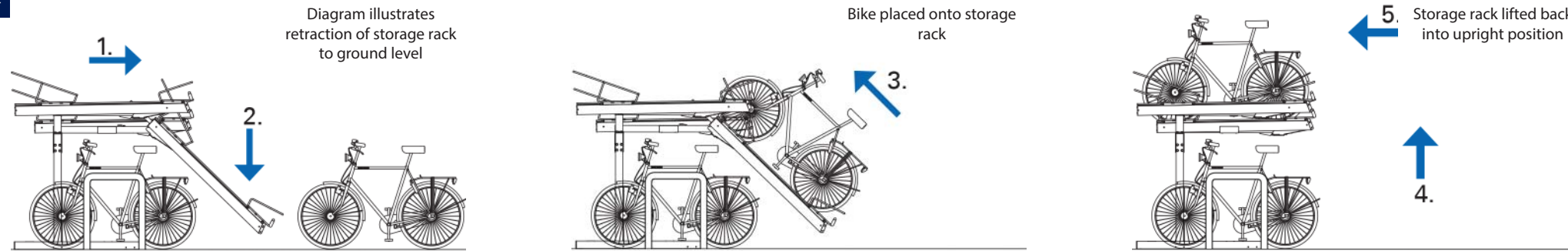
02



03



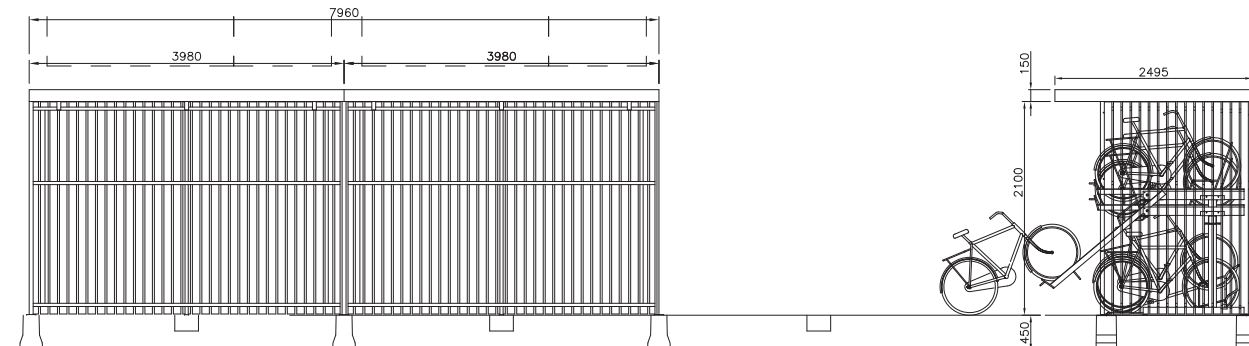
04



05

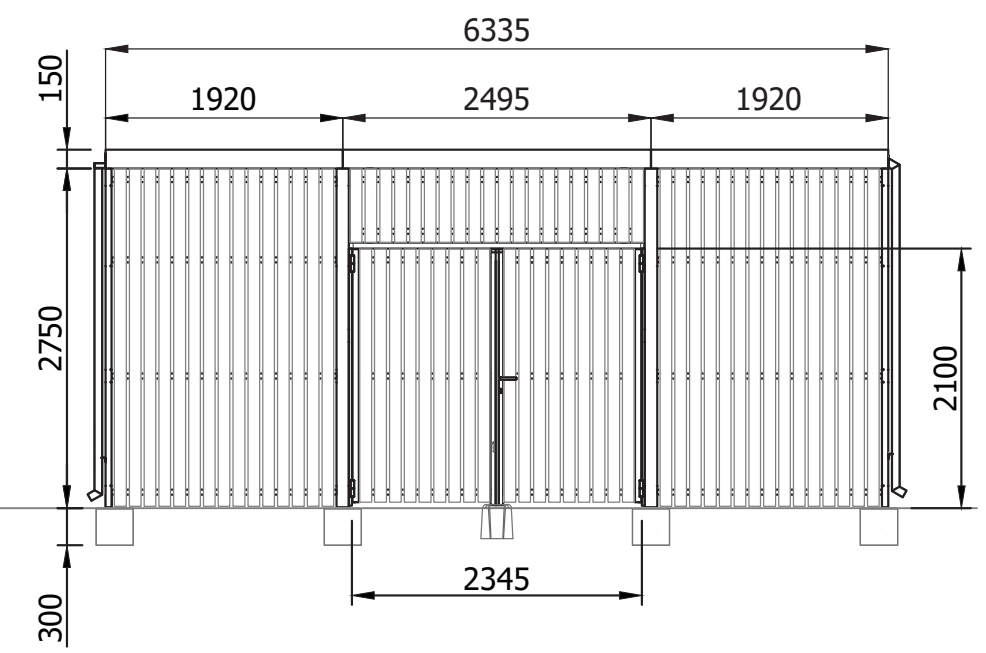
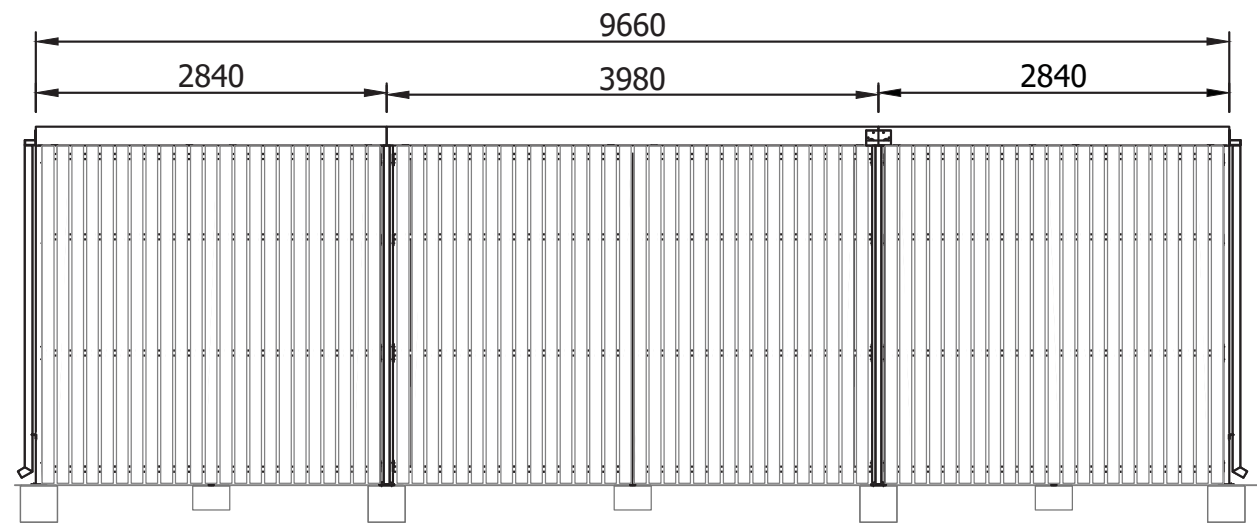
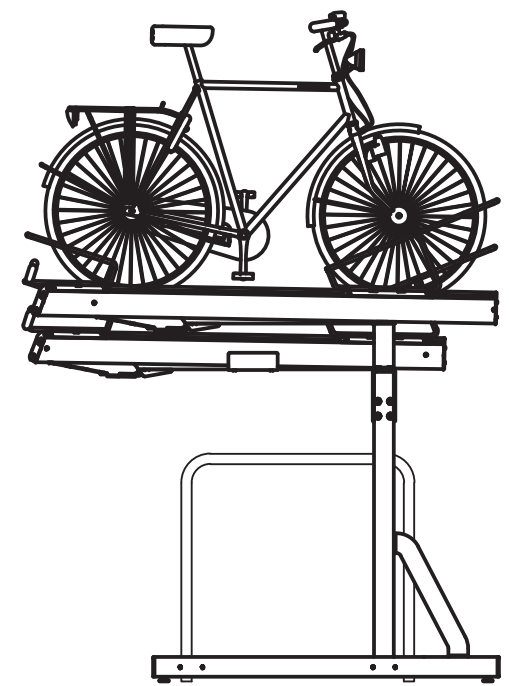
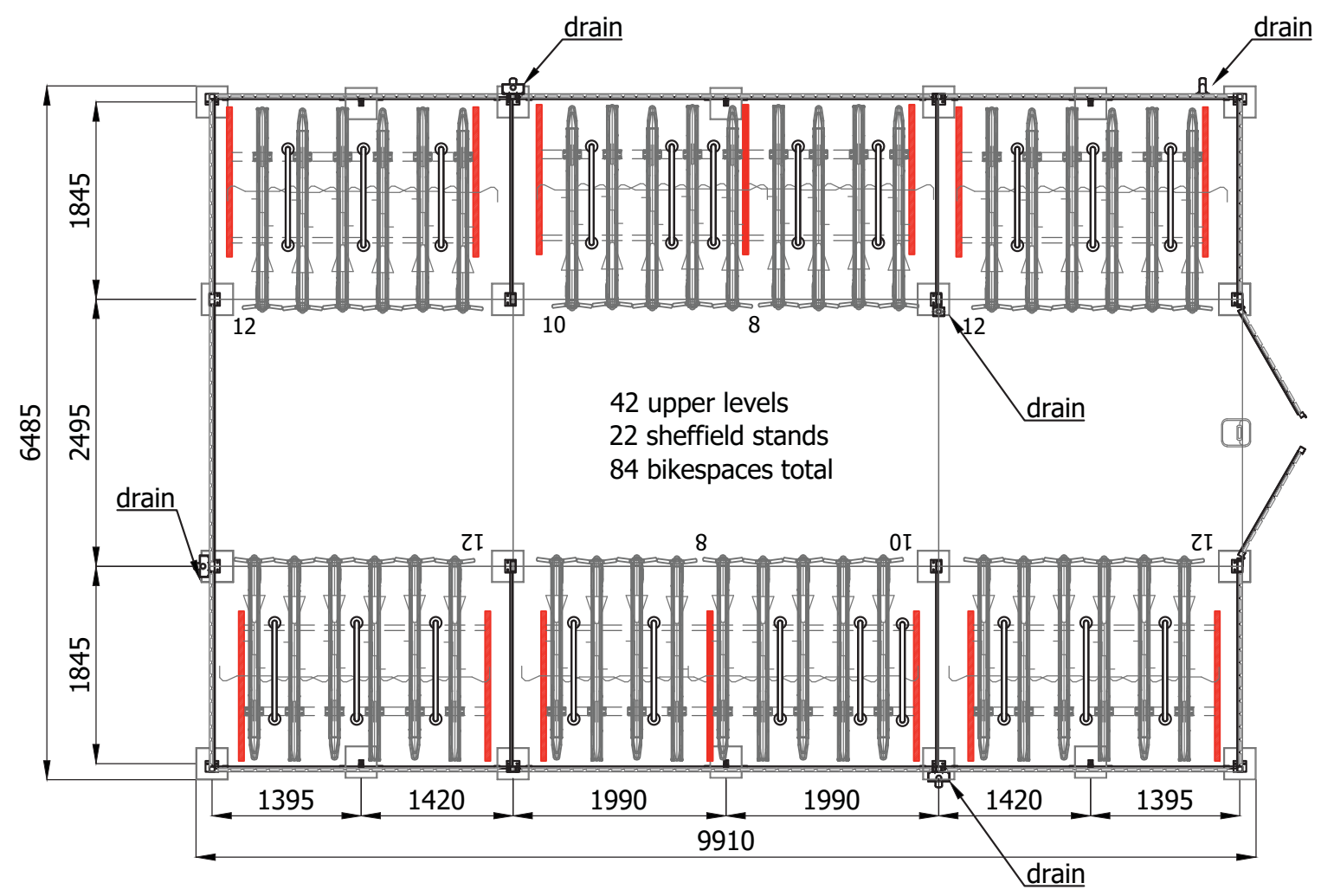



06



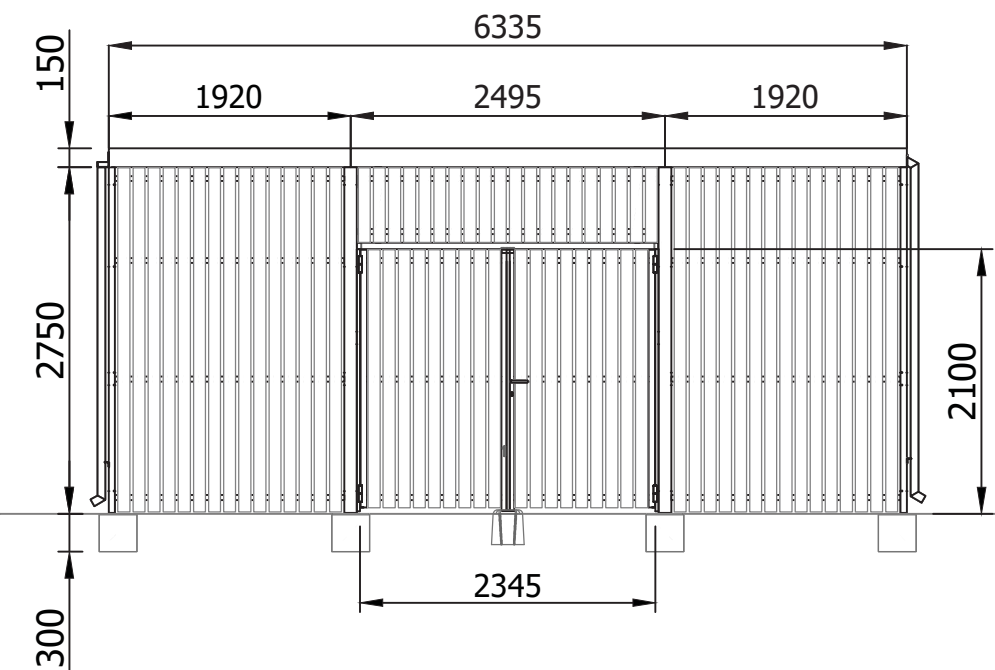
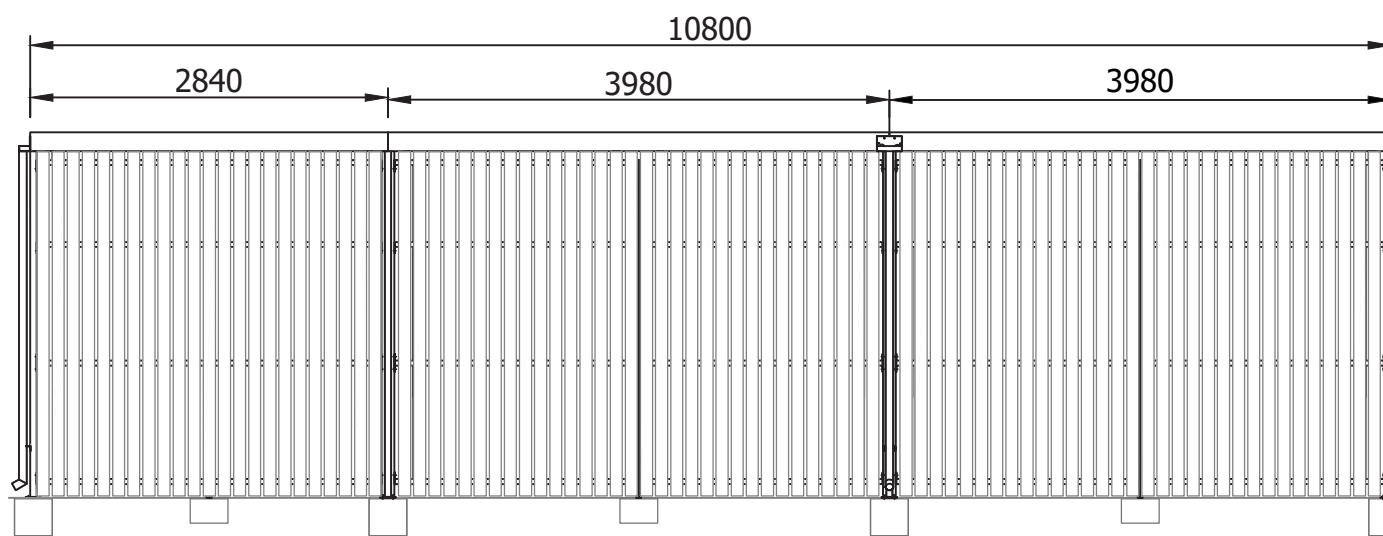
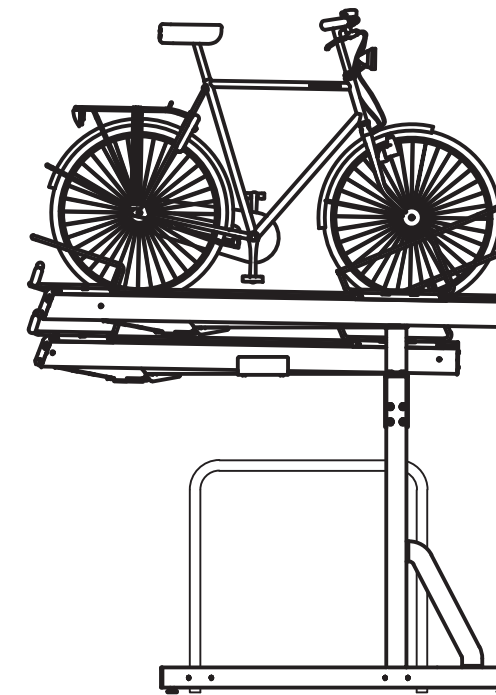
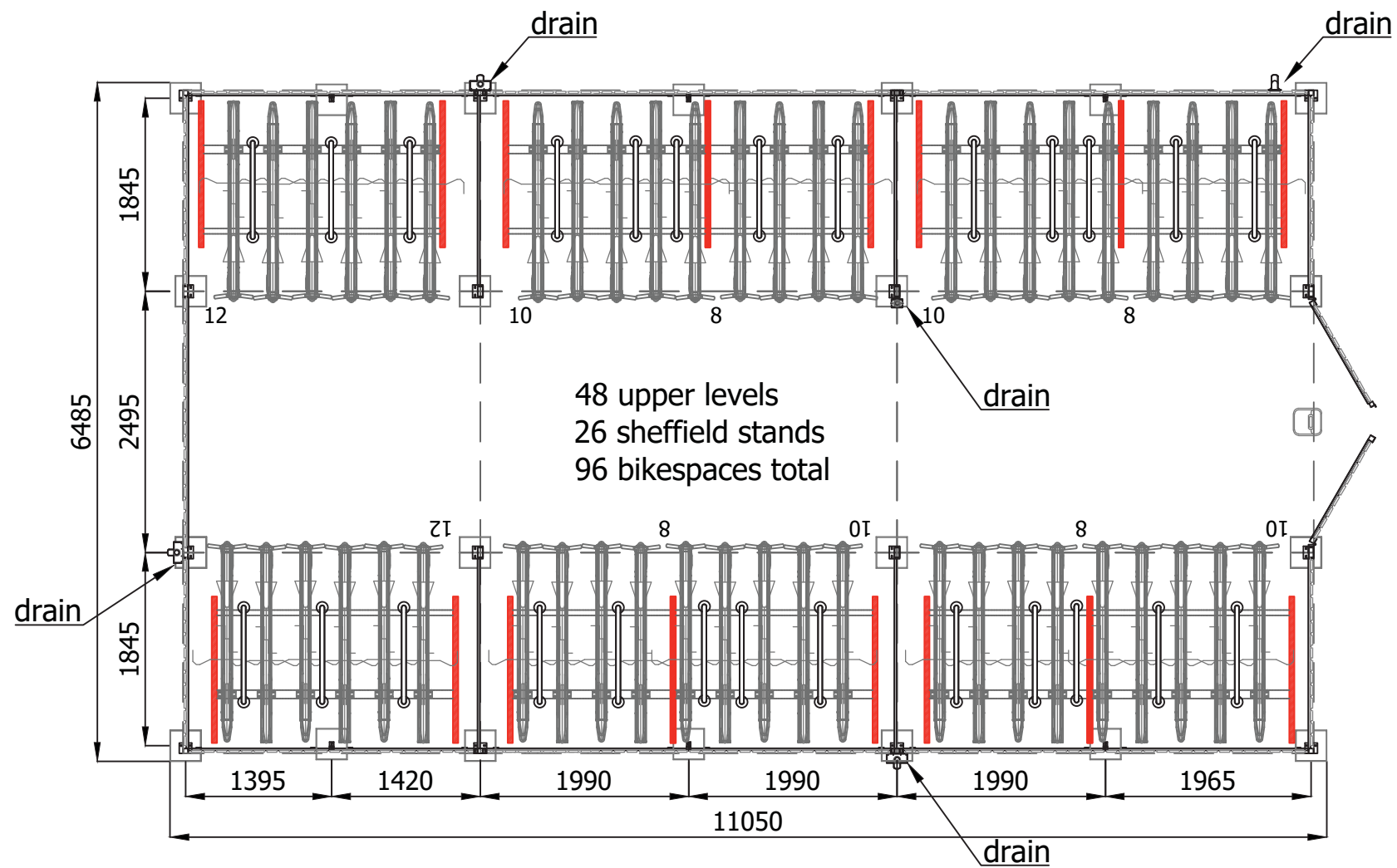
1. FalcoLok-600 for two-tier cycle racks, clad with hardwood, galvanised steel framework. 1 no. set of double doors example image (1).
2. FalcoLok-600 for two-tier cycle racks, clad with hardwood, galvanised steel framework. 1 no. set of double doors example image (2).
3. Falco Premium two-tier cycle racks example image.
4. Example of two tier cycle rack storage process.
5. Falco Premium two-tier cycle rack with upper tier lowered.
6. Cycle storage unit typical detail.



Rev	Datum	Door
-	30-11-2021	KJ
A	1-12-2021	KJ



 Falco BV Postbus 18 7670AA Vriezenveen	T +31 (0)546 55 44 44 F +31 (0)546 56 11 15 I www.falco.nl	Artikelcode:	Revisie:
		E0077959	A
Toleranties: EN ISO 13920	Norm: EN 1090 EXC 1	Omschrijving:	Formaat:
Tekenaar: KJ	Maateenheid: mm	Lok shelter 6330x9660 for	A3
Getekend: 30-11-2021 12:56:23	Schaal: 1:60	Level premium+, double door,	
Documentnr.: E0077959.dwg A		hardwood, Project 120615	

Rev	Datum	Door
-	30-11-2021	KJ



 Falco UK Ltd, Unit 8, Leekbrook Way, Leekbrook, Staffordshire, ST13 7AP	T (01538) 380080 F (01538) 386421 I www.falco.co.uk	Item number:	Revision:
		E0077958	-
Tolerances: EN ISO 13920	Standard: EN 1090 EXC 1	Description: Lok shelter 6330x10800 for Level premium+, double door, hardwood, Project 120615	Format:
Drawn by: KJ	Drawing unit: mm		A3
Date: 30-11-2021 12:56:03	Scale: 1:60		
Doc nr.: E0077958.dwg -			