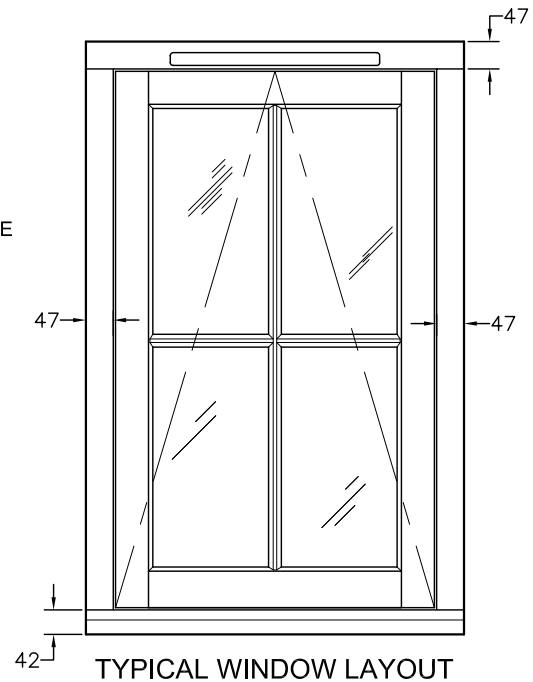
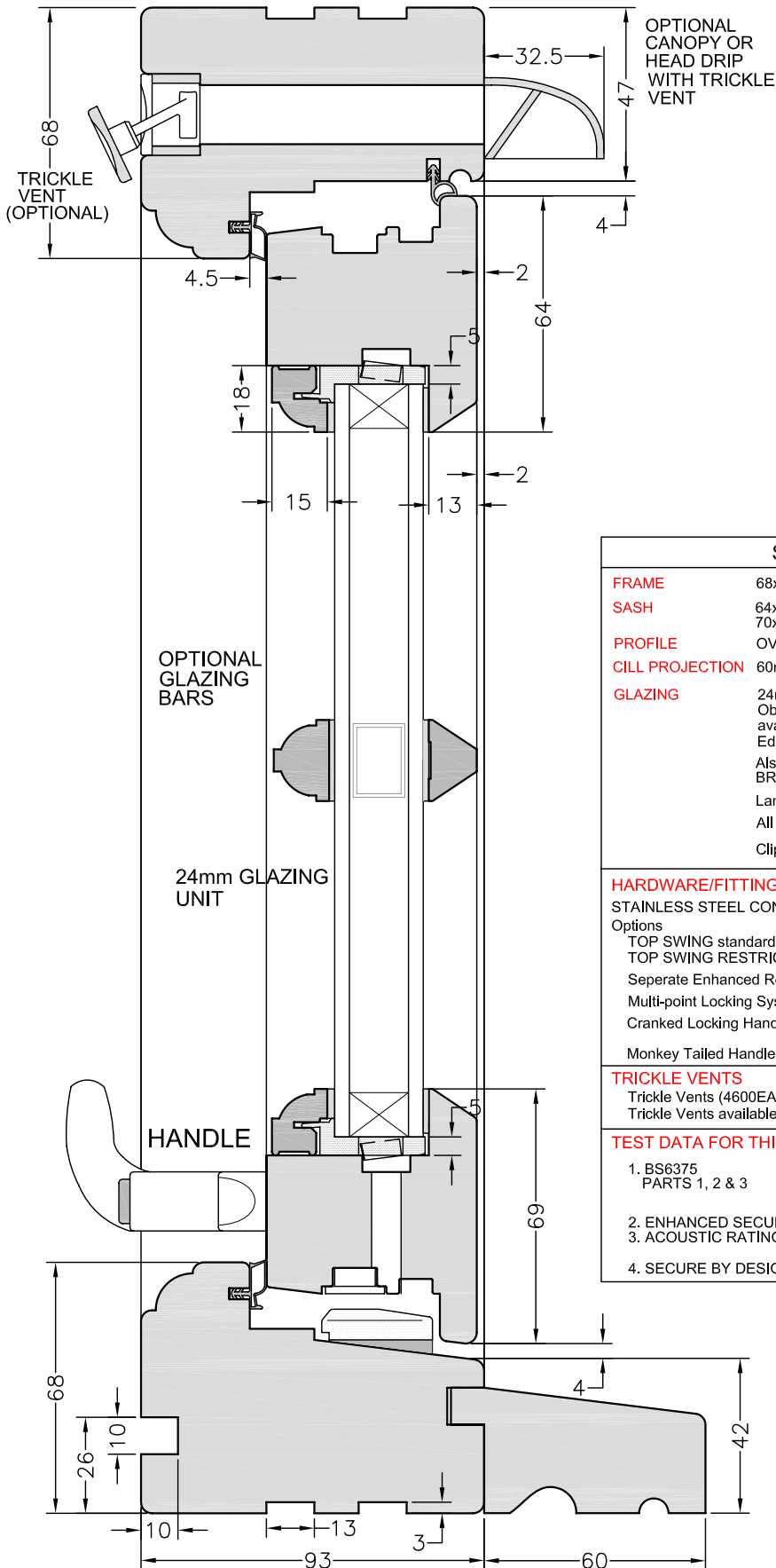


# CONSERVATION CASEMENT

05/11/2018 REVISION E

FILE: TS1-01SX

## TOP SWING SYSTEM Ovolo Profile on Frame and Beading



### STANDARD SPECIFICATIONS

<b>FRAME</b>	68x93mm HEAD, JAMBS, CILL, MULLION & TRANSOM.
<b>SASH</b>	64x57mm TOP RAIL & STILES, 70x57mm BOTTOM RAIL, Drained and Vented.
<b>PROFILE</b>	OVOLO (shown) LAMBS TONGUE or SQUARE EDGE
<b>CILL PROJECTION</b>	60mm (shown) Additional Options: Flush, 35mm or 85mm.
<b>GLAZING</b>	24mm Low E Sealed Unit, (4mm/16mm Warm Edge Spacer/4mm) Obscure, Sound Control, Toughened and Laminated Options available, Argon filled cavity. Outer perimeter has Standard Warm Edge Spacer, colour WHITE, Optional BLACK. Also available with 14mm (4/6/4) glazing with SILVER or BRONZE Colour Aluminium spacer Laminated SBD glazing is 24.8mm (6.8mm/14mm/4mm) All Curved Glass will have Aluminium spacer Clip & Bead glazing bead system.

### HARDWARE/FITTINGS

STAINLESS STEEL CONCEALED FRICTION HINGE.

Options

TOP SWING standard Friction Hinge.

TOP SWING RESTRICTOR with Restrictor built into Hinge.

Separate Enhanced Restrictor option available

Multi-point Locking System

Cranked Locking Handles, available in Polished Brass, Polished Chrome, Satin Chrome  
Bright Bronze, Satin Bronze, Black or White.

Monkey Tailed Handles available in Black.

### TRICKLE VENTS

Trickle Vents (4600EA) can be fitted to Head, Timber Head Drip or canopy fitted.

Trickle Vents available in White or Brown only.

### TEST DATA FOR THIS WINDOW

- BS6375 PARTS 1, 2 & 3 EN1026:2000 AIR PERMEABILITY CLASS 4  
EN 1027:2000 WATERTIGHTNESS CLASS 9A  
EN 12211:2000 RESISTANCE TO WIND LOAD CLASS 5
- ENHANCED SECURITY BS7950
- ACOUSTIC RATING RW(C;Ctr)= 40 (-2;6) db with sound control glass.  
RW(C;Ctr)= 36 (-2;6) db with standard 4/14/4 glass
- SECURE BY DESIGN BADGE.

WINDOW BOARD GROOVE AS STANDARD  
NO WINDOW BOARD GROOVE: OPTIONAL

### HEAD/CILL SECTION

**DUE TO PROGRESSIVE DEVELOPMENT  
MUMFORD & WOOD LIMITED RESERVE  
THE RIGHT TO MODIFY OR CHANGE  
SPECIFICATIONS WITHOUT PRIOR NOTICE**

THIS DRAWING & SPECIFICATIONS ARE THE PROPERTY OF MUMFORD & WOOD Ltd. THEY ARE ISSUED IN STRICT CONFIDENCE AND SHALL NOT BE REPRODUCED, COPIED OR USED AS THE BASIS FOR MANUFACTURING WITHOUT WRITTEN PERMISSION.



TOWER BUSINESS PARK,  
KELVEDON ROAD  
TIPTREE, ESSEX  
CO5 0LX  
Tel: 01621 818155 FAX: 01621 818175  
EMAIL: sales@mumfordwood.com  
WEB: www.mumfordwood.com