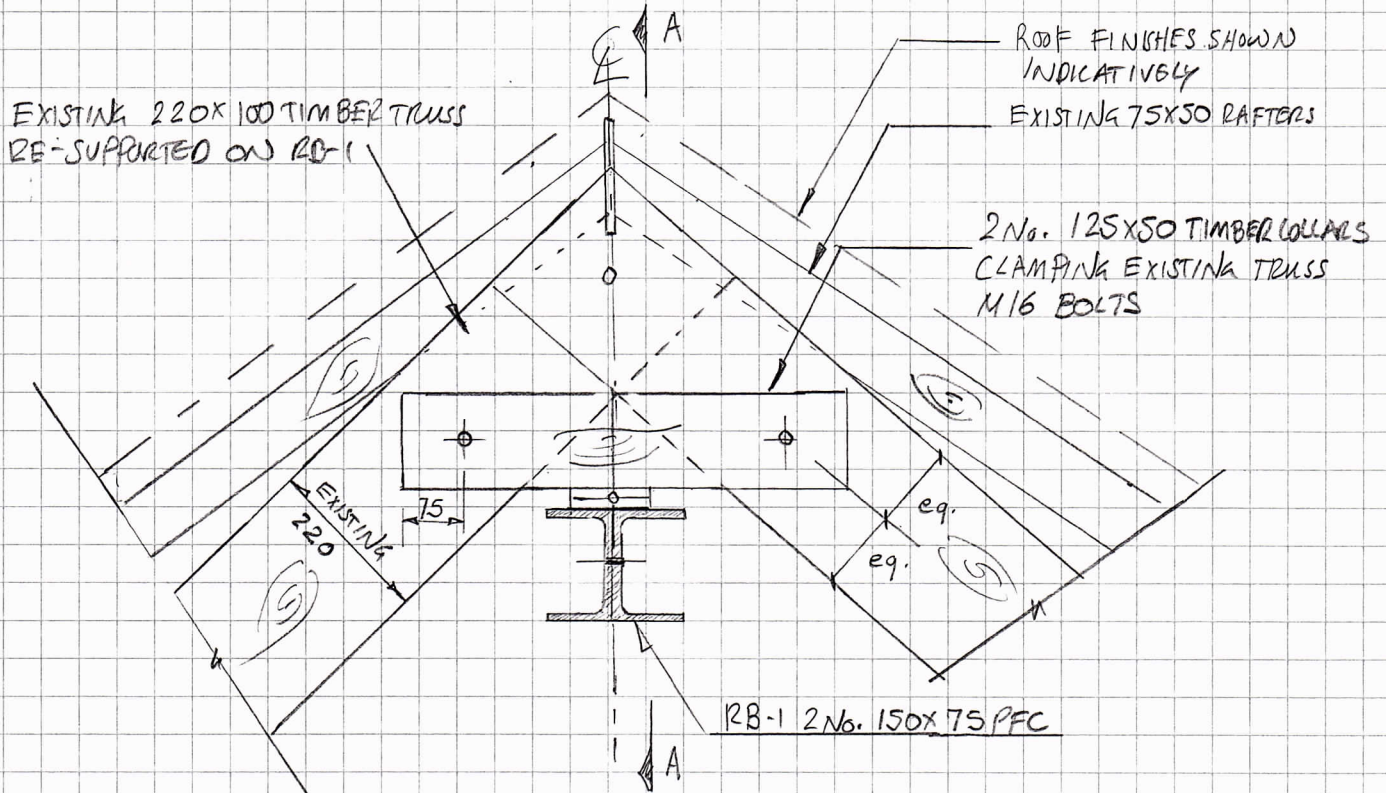
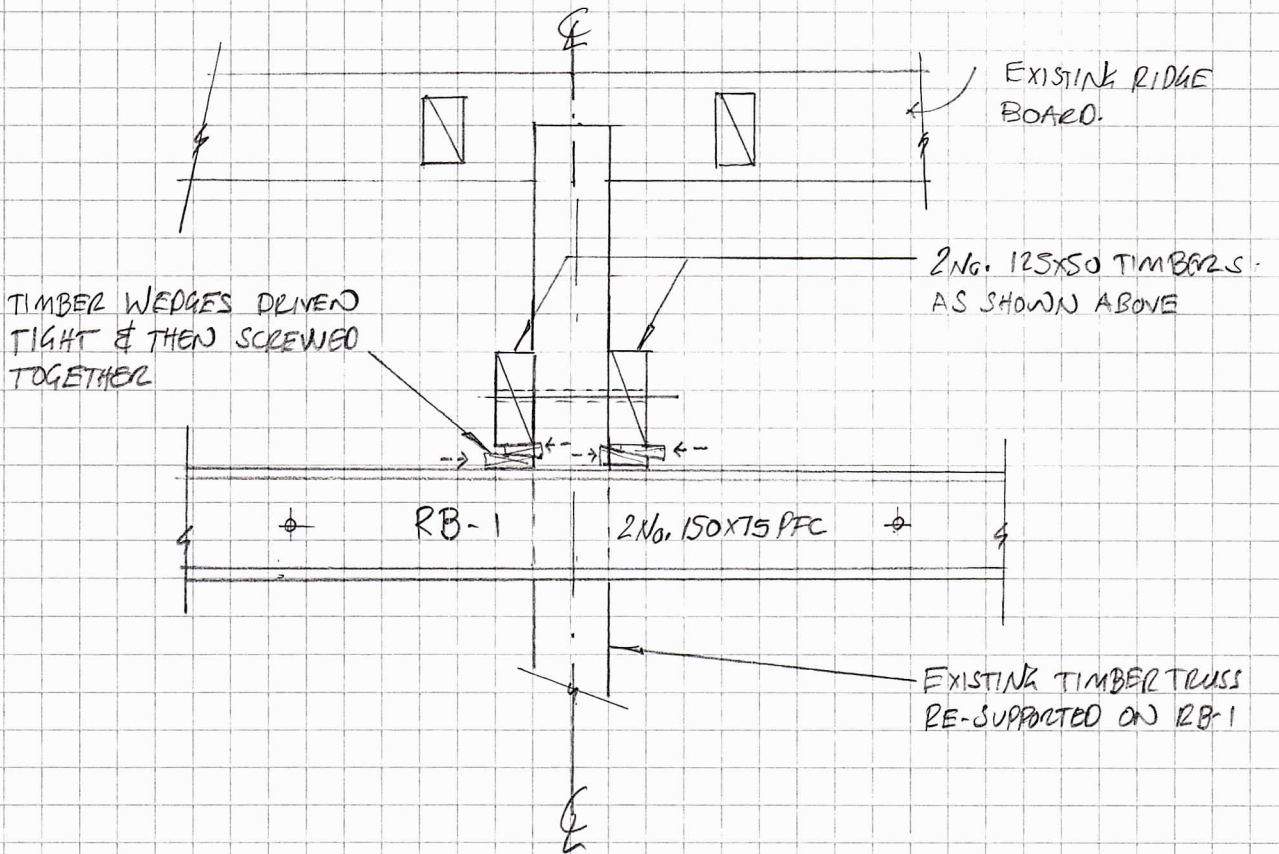


CHANCEL COTTAGE - REAR ROOF STRENGTHENING WORKS

17BK-D1



RB-1 RIDGE DETAIL
(1:10)



SECTION A-A
(1:10)