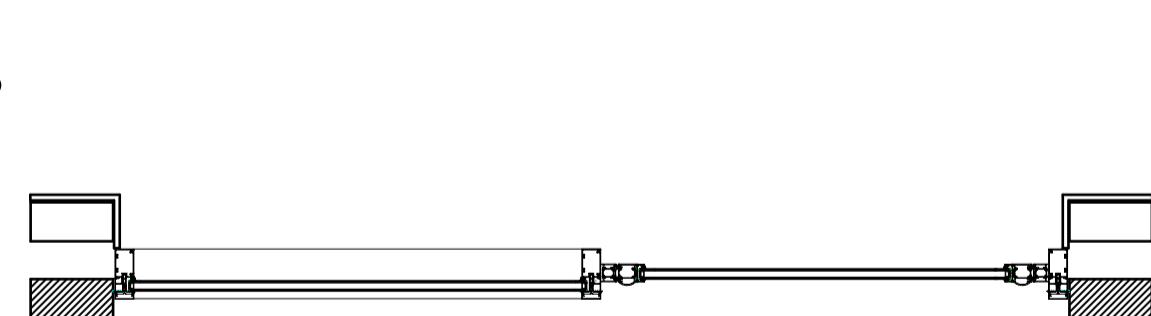
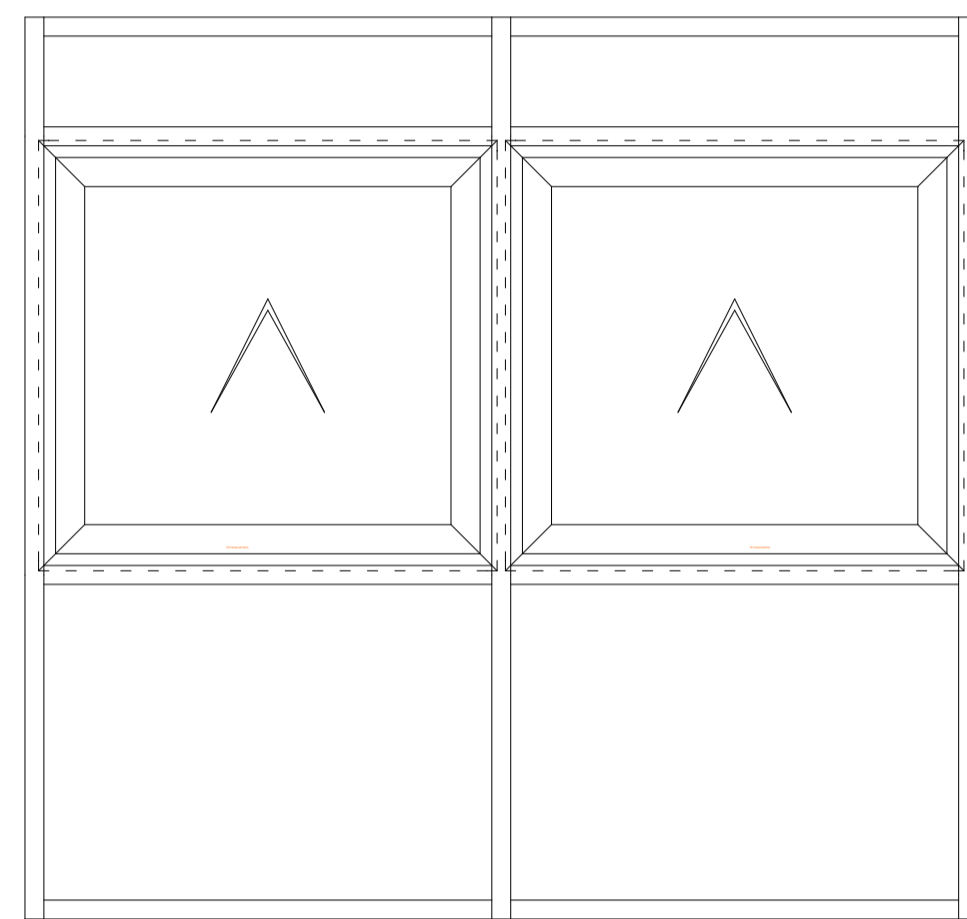
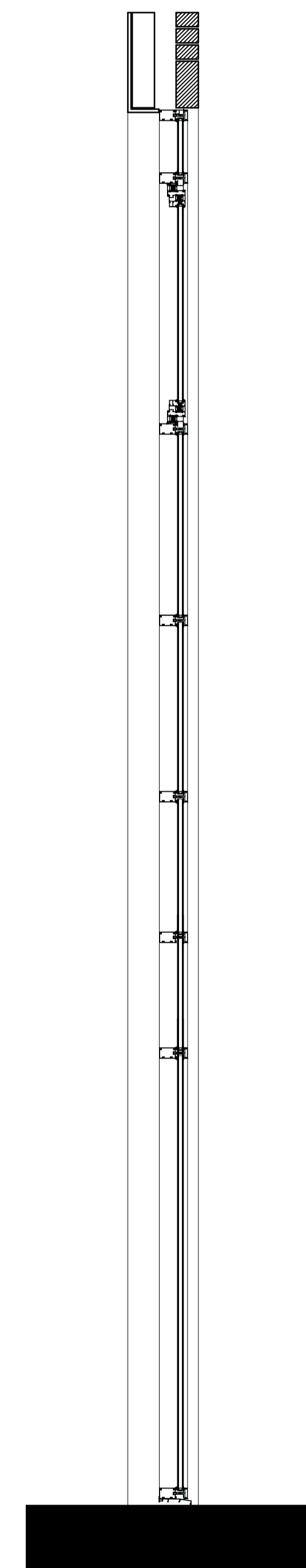


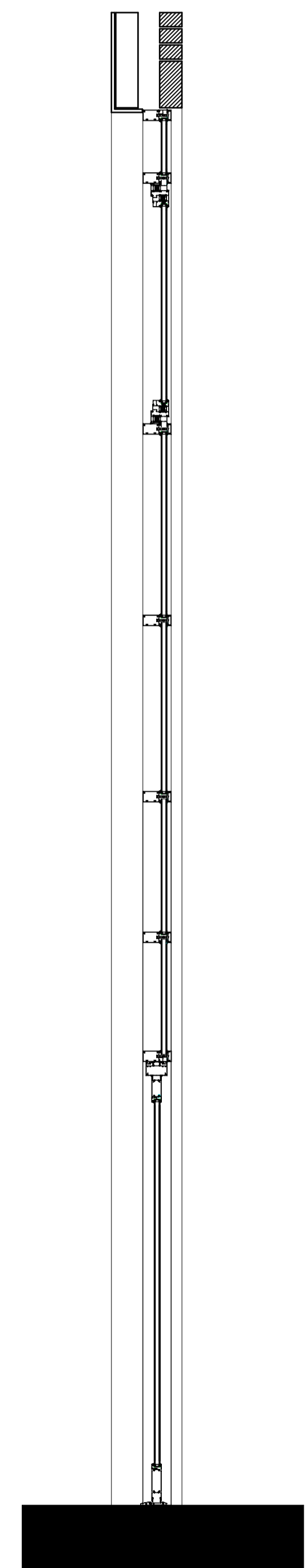
Section A - A.



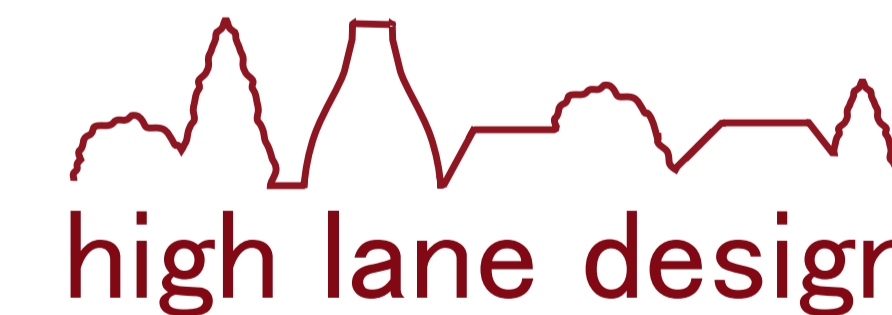
Section B - B.



Section C - C.



Section D - D.



199 High Lane West  
 West Hallam  
 Ilkeston  
 Derby  
 DE7 6HP  
 t: 07816 513918  
 e: highlanedesign@hotmail.com

Project  
 Proposed Commercial Centre  
 Kingsmere, Bicester.

Drawing  
 Detailed Sections Through Curtain Walling

Scale : Date : Drawn by : Checked by :

1 : 20 Feb.'18 SP

Job number : Drawing number : Revision:

L 241 D09