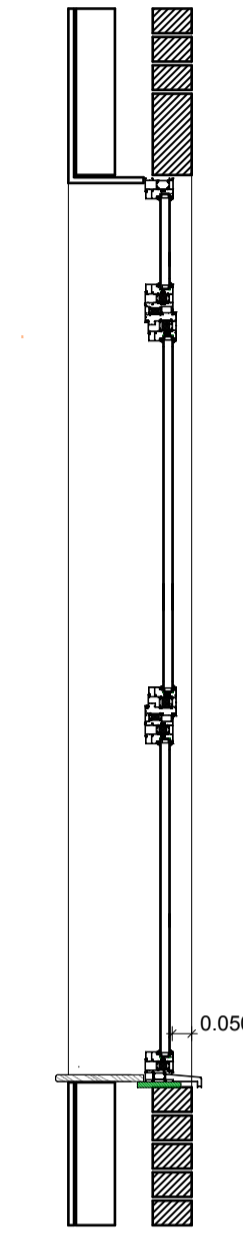
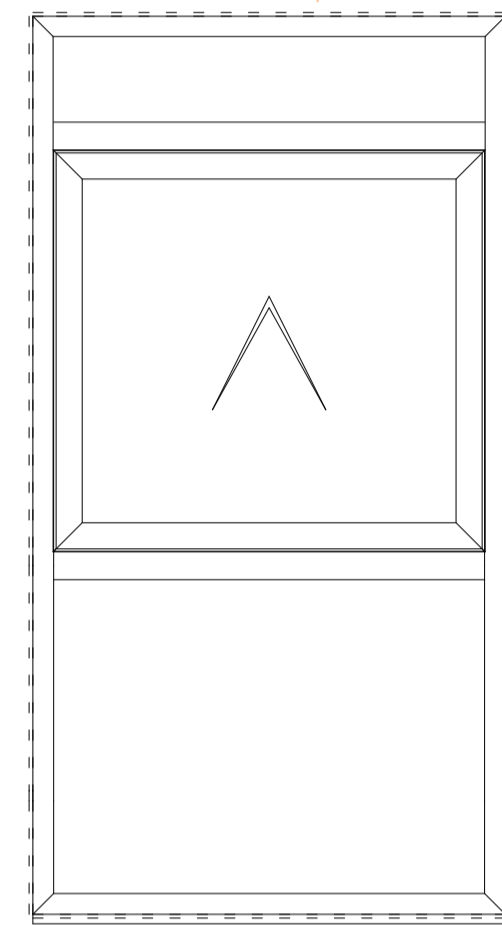


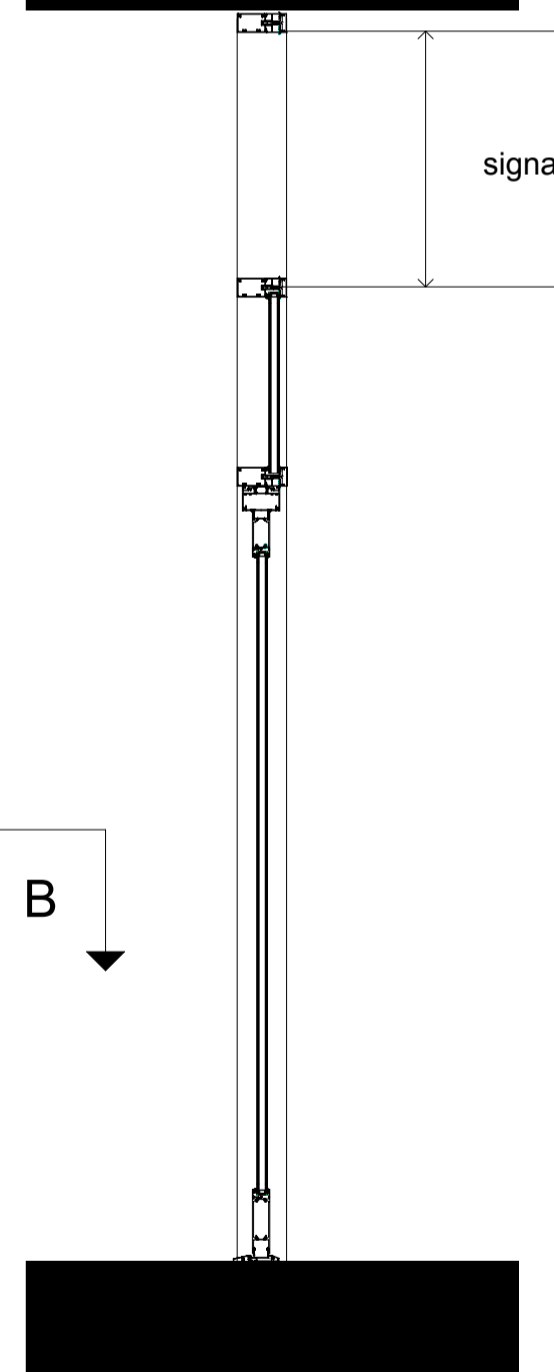
Section A - A.



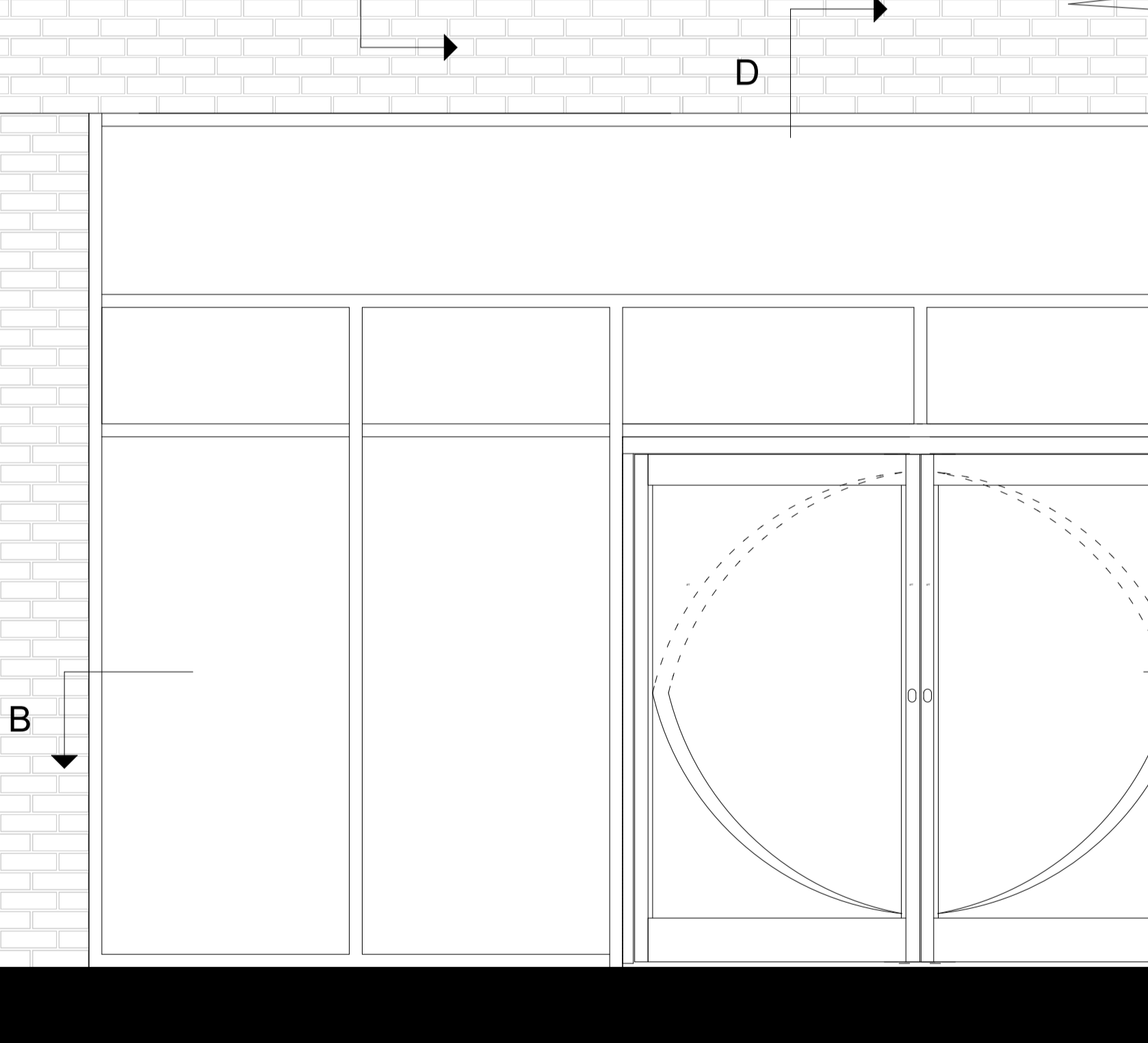
Section C - C.



signage zone

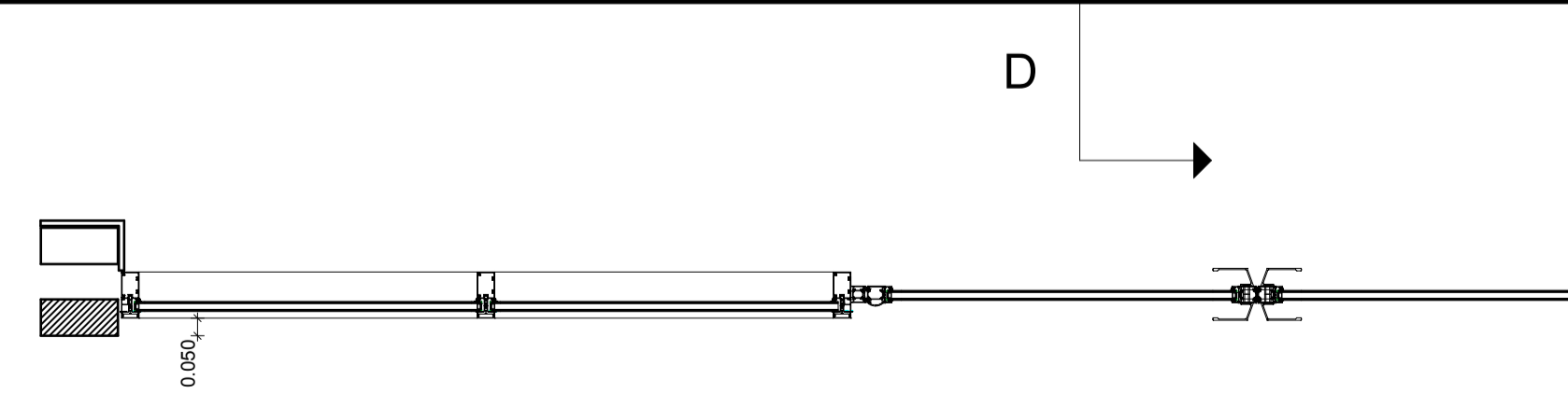


Section D - D.

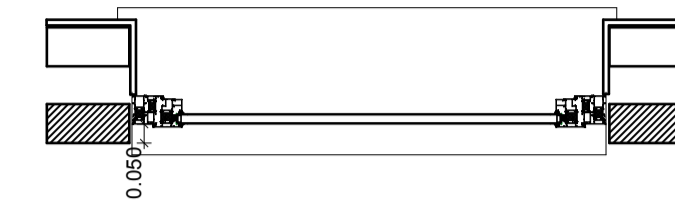
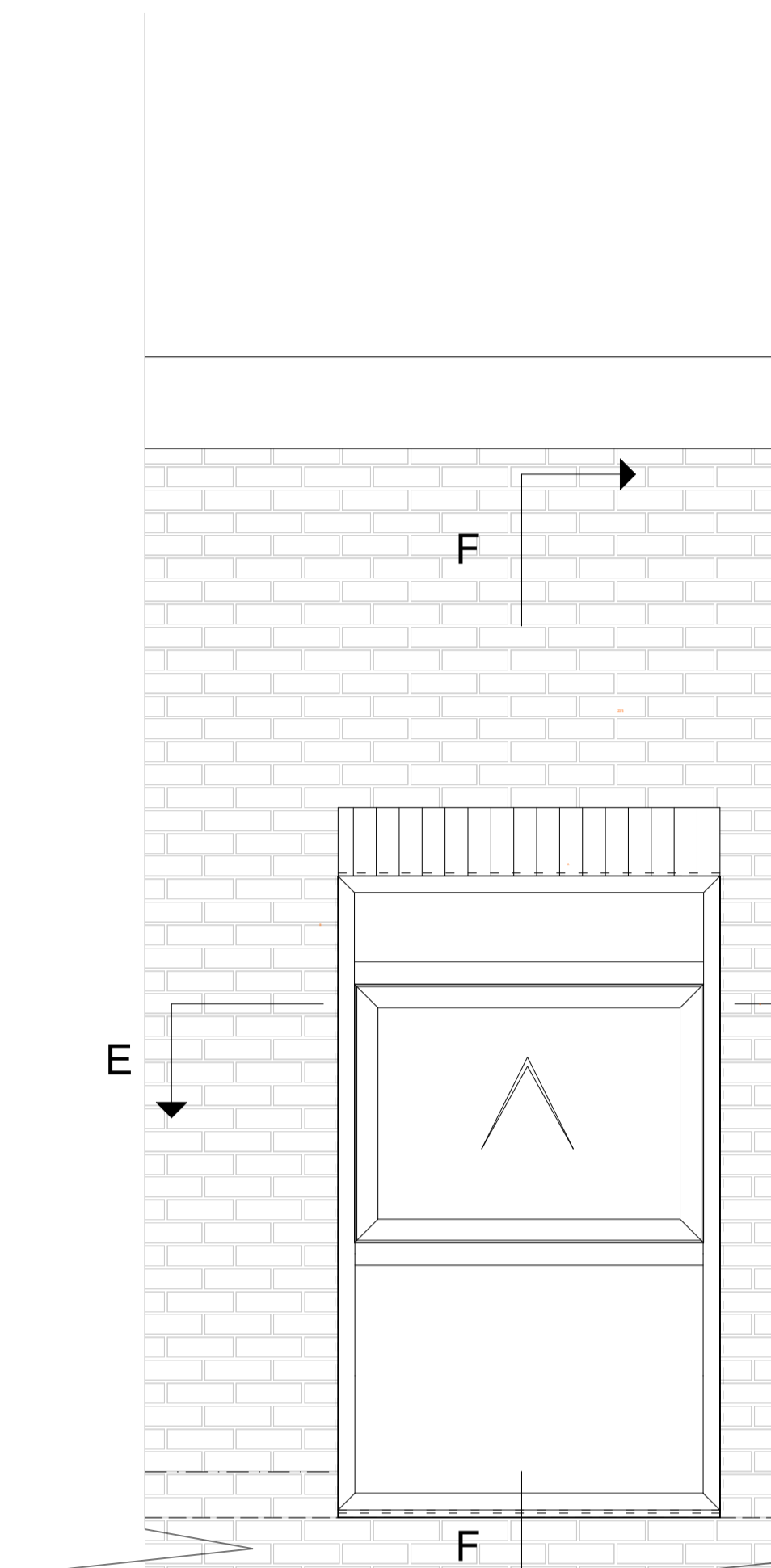


B

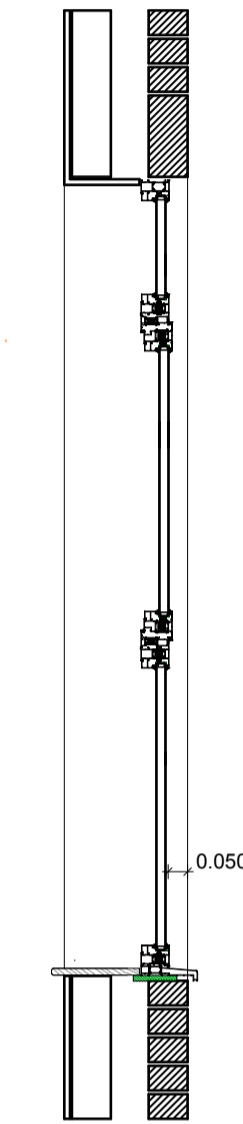
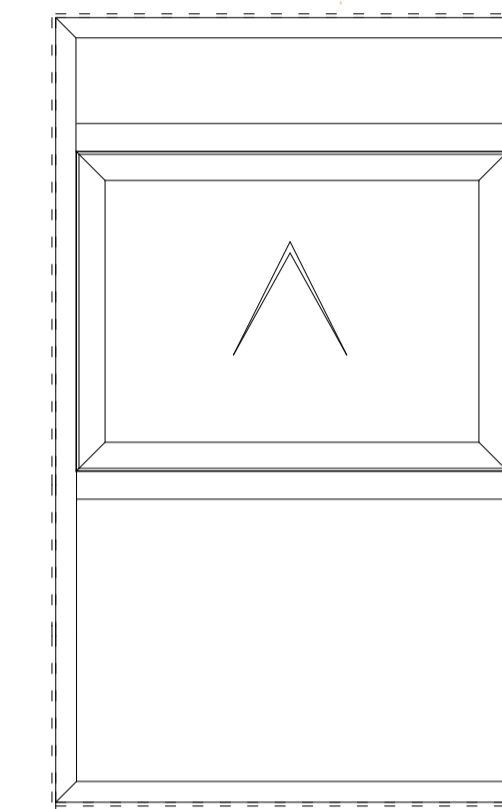
B



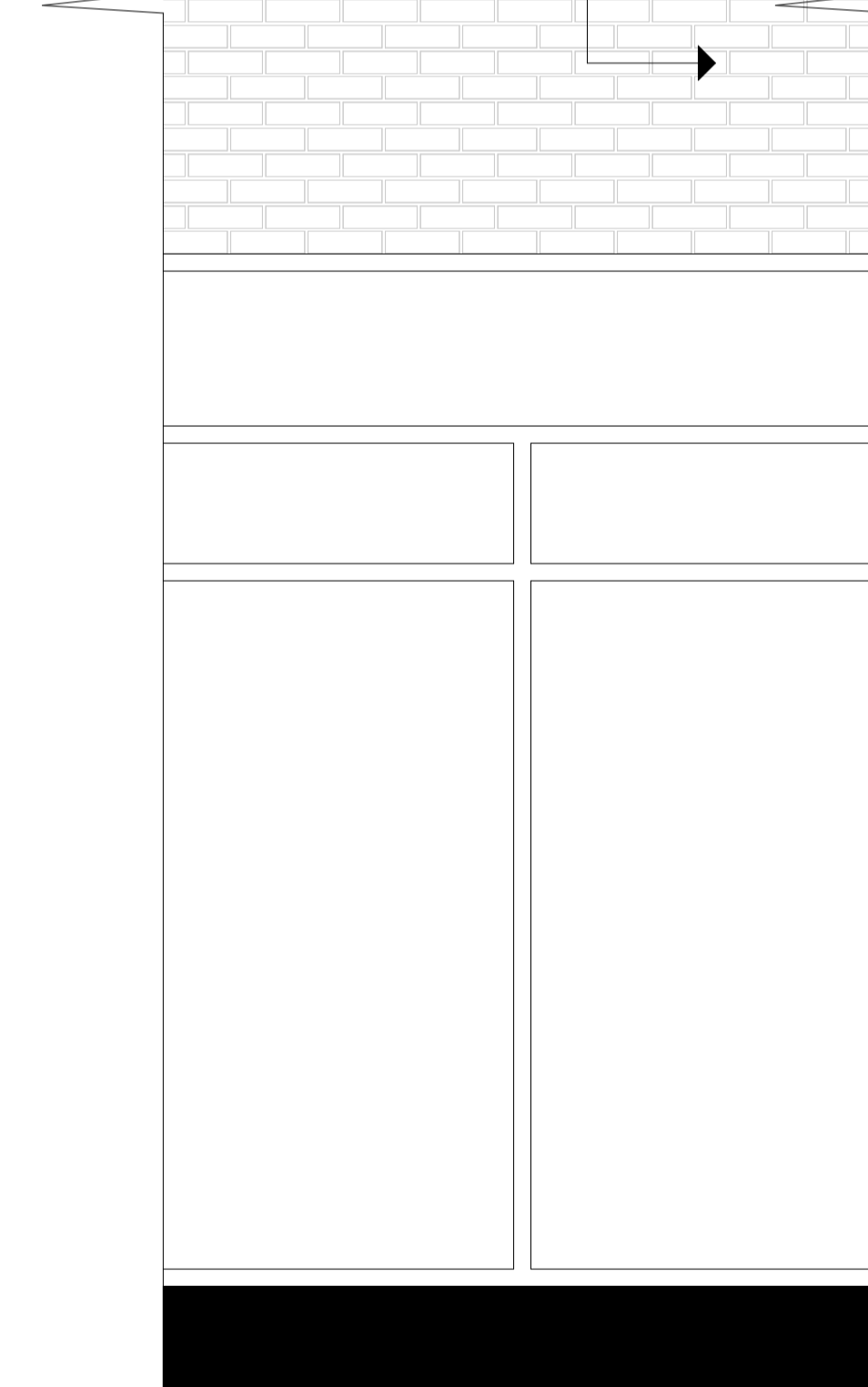
Section B - B.



Section E - E.



Section F - F.



139 High Lane West
 West Hillam
 Ilkeston
 Derby
 DE7 6HP
 t: 07816 513918
 e: highlanedesign@hotmail.com

Project

Proposed Commercial Centre
 Kingsmere, Bicester.

Drawing

Detailed Sections Through
 Windows and Curtain Walling

Scale : Date : Drawn by : Checked by :

1 : 20 Feb.'18 SP

Job number : Drawing number : Revision:

L 241 D08