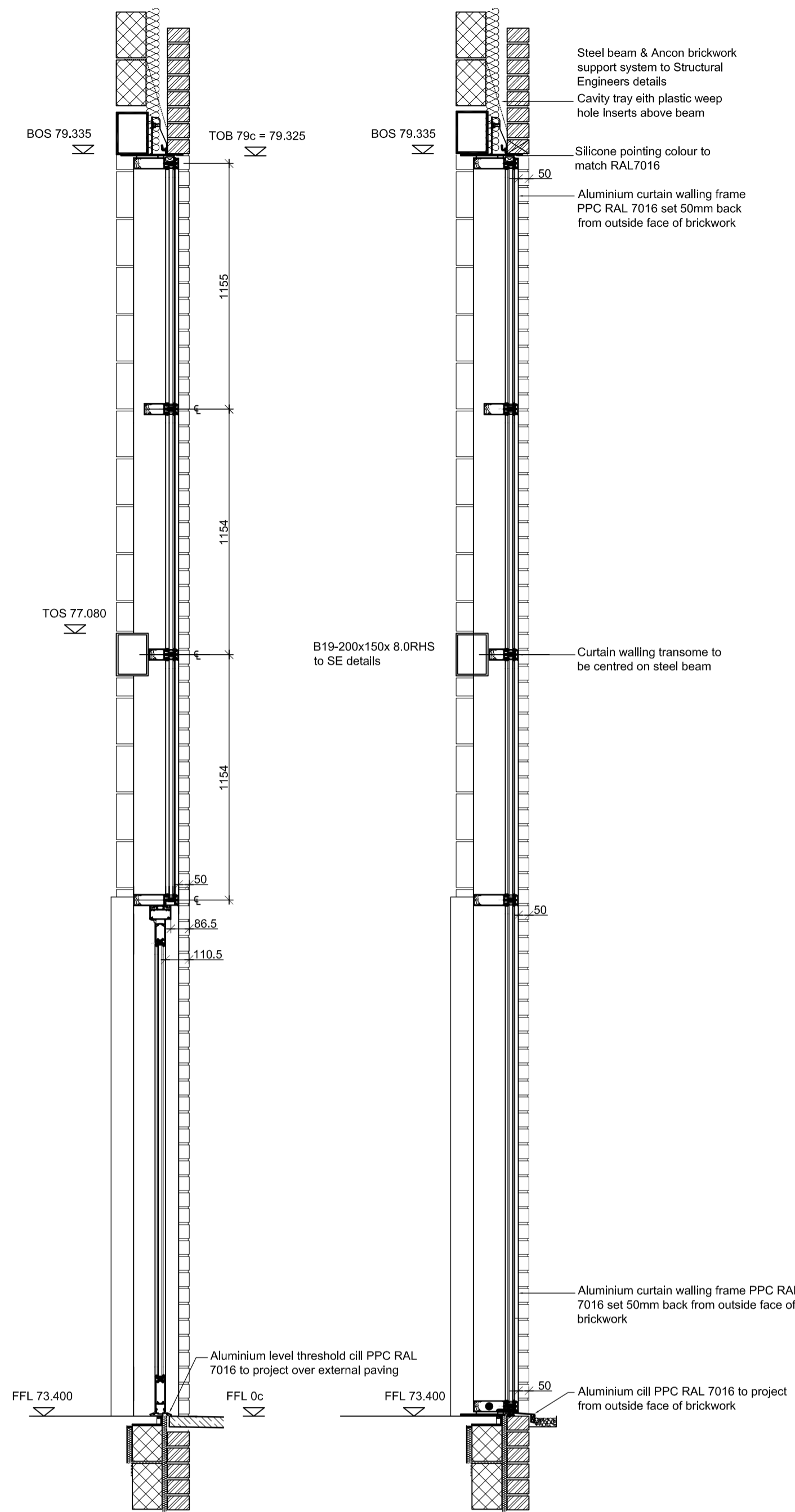
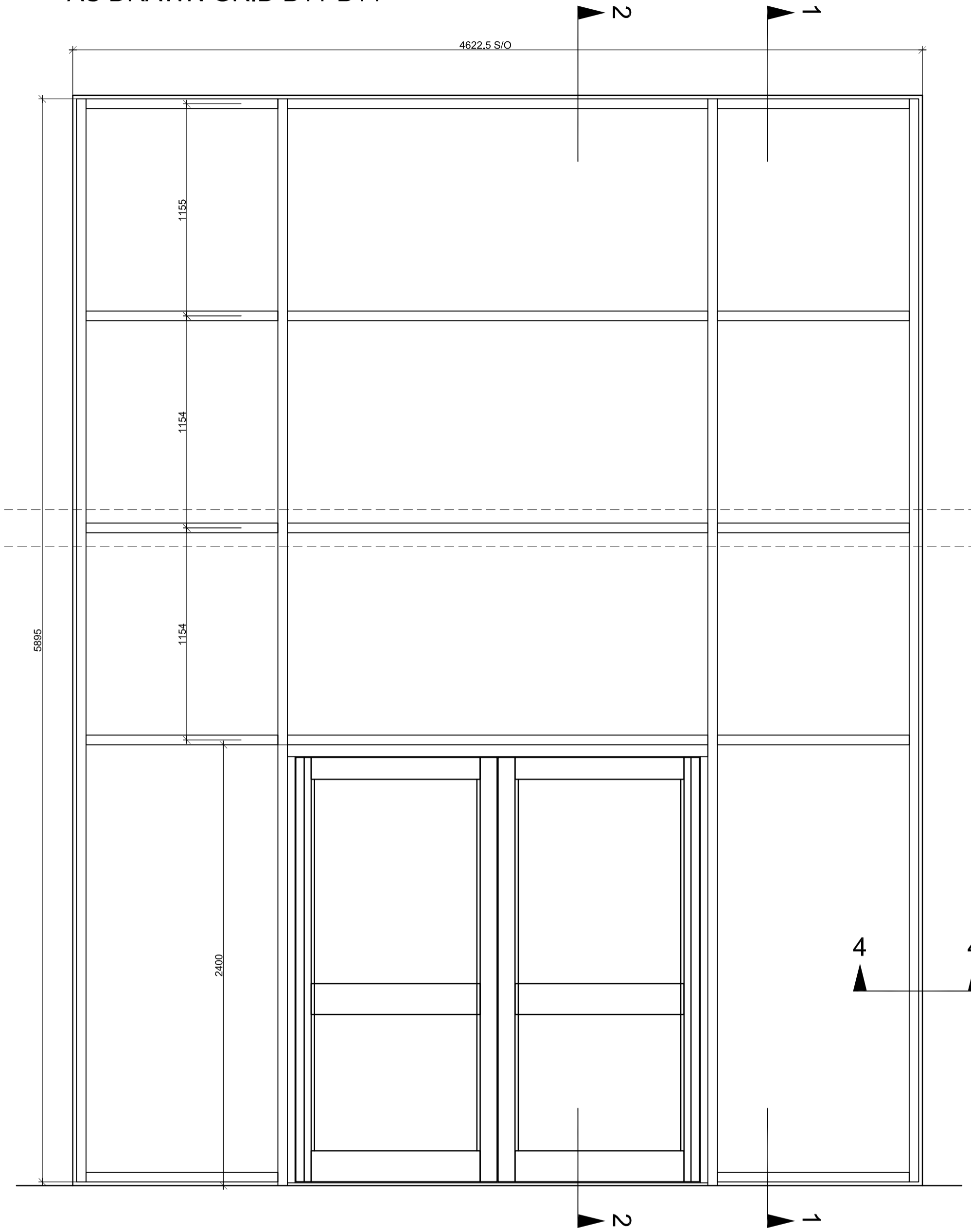


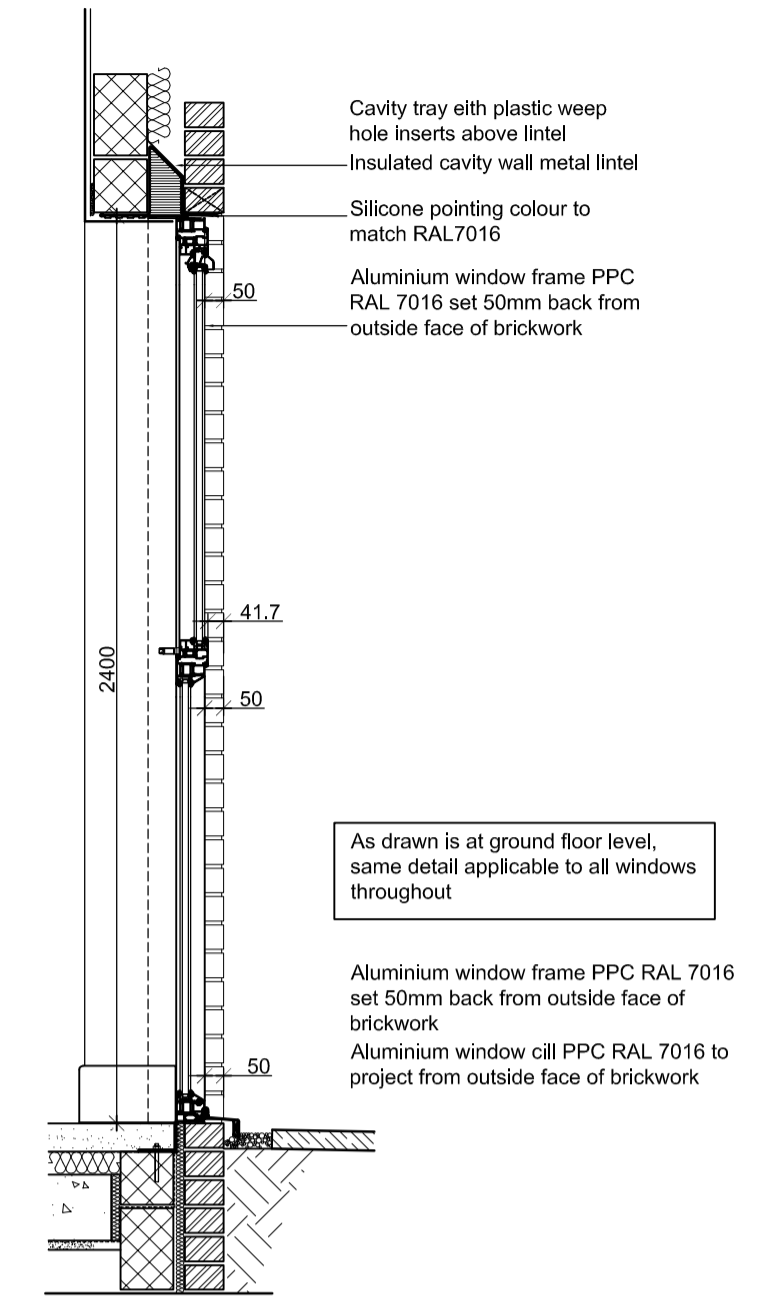
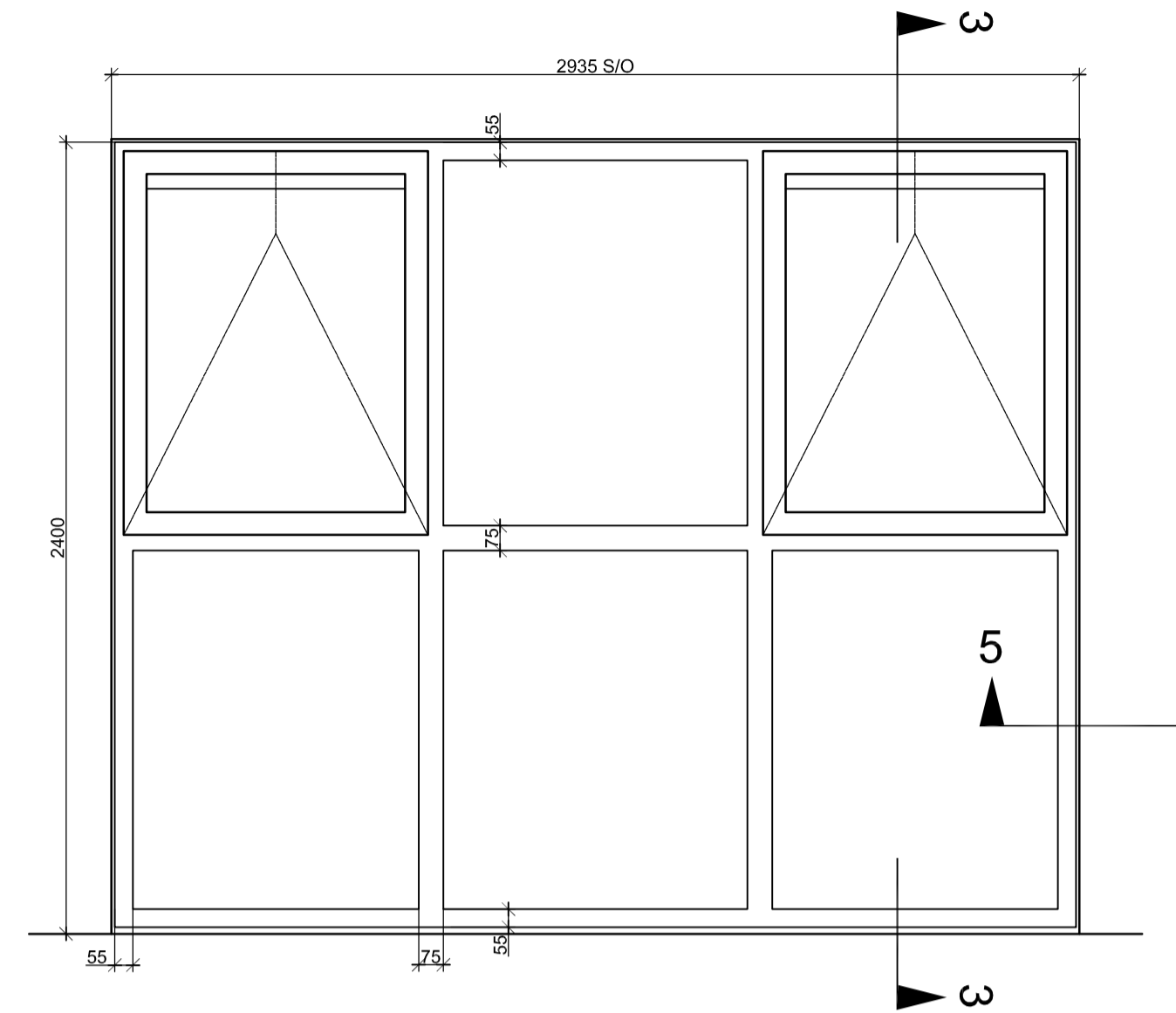
TYPICAL CURTAIN WALLING ELEVATION
AS DRAWN GRID B11-B14



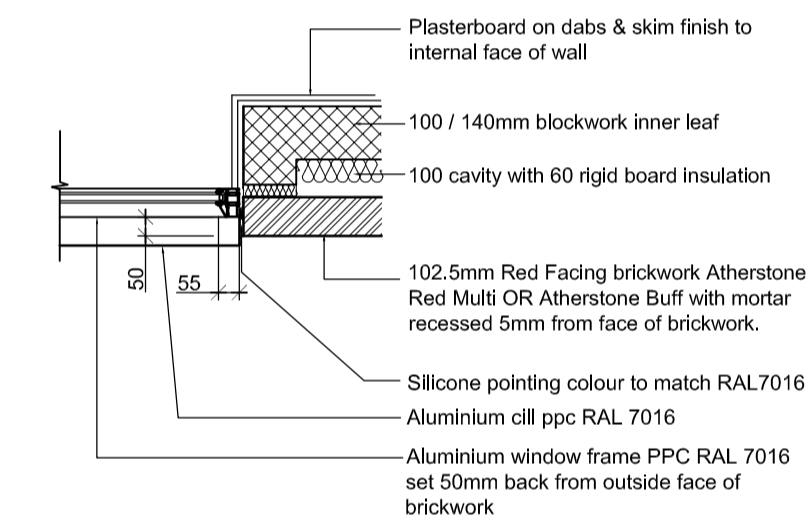
Section 1 - 1
Curtain Walling / Door Section

Section 2 - 2
Curtain Walling Section

TYPICAL WINDOW ELEVATION
AS DRAWN GRID C9 - L5

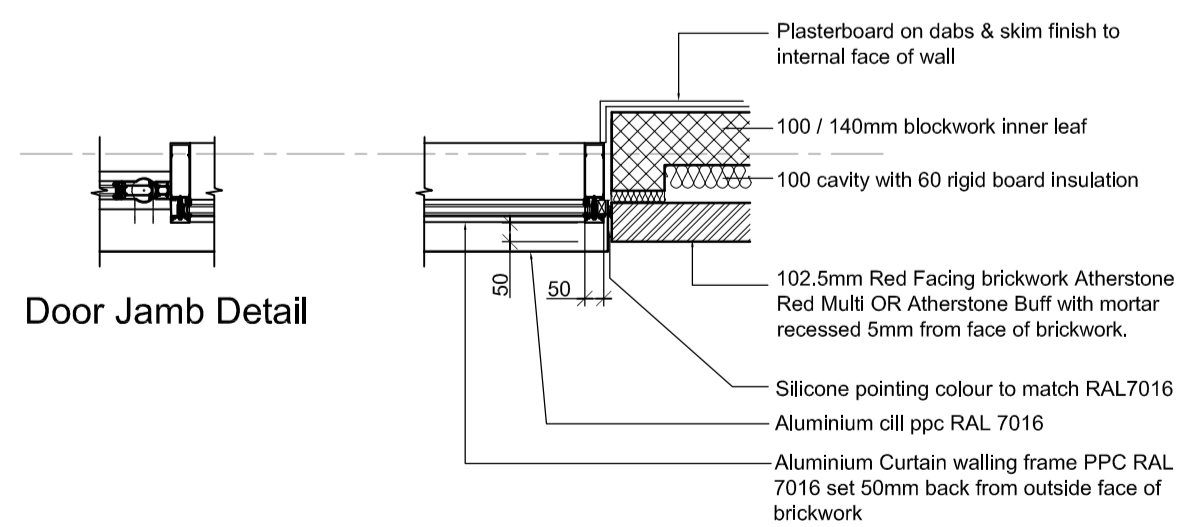


Section 3 - 3
Typical Window Section



Section 5 - 5
Typical Window Jamb Detail

Aluminium Curtain walling, window & doors to be polyester powder coated RAL 7016, double glazed sealed units from Senior Architectural Systems by ADP Windows



Door Jamb Detail

Section 4 - 4
Typical Curtain Walling Jamb Detail

REV	DESCRIPTION	DATE	DRN	CKD



Robothams Architects
The Old Library
12 Church Street
Warwick CV34 4AB
T 01926 493843
F 01926 495314
architects@robothams.co.uk
www.robothams.co.uk



PROJECT TITLE
Community Centre
Kingsmere, Bicester
Stage 4 Construction Information

DRAWING TITLE
WINDOW & DOOR DETAILS

STATUS	Construction				
SCALE	1:20	SHEET SIZE	A1	DRAWN	GSM
DATE	27.06.17	CHECKED	AEB		
DWG NO.	3397-401	REVISION	-		