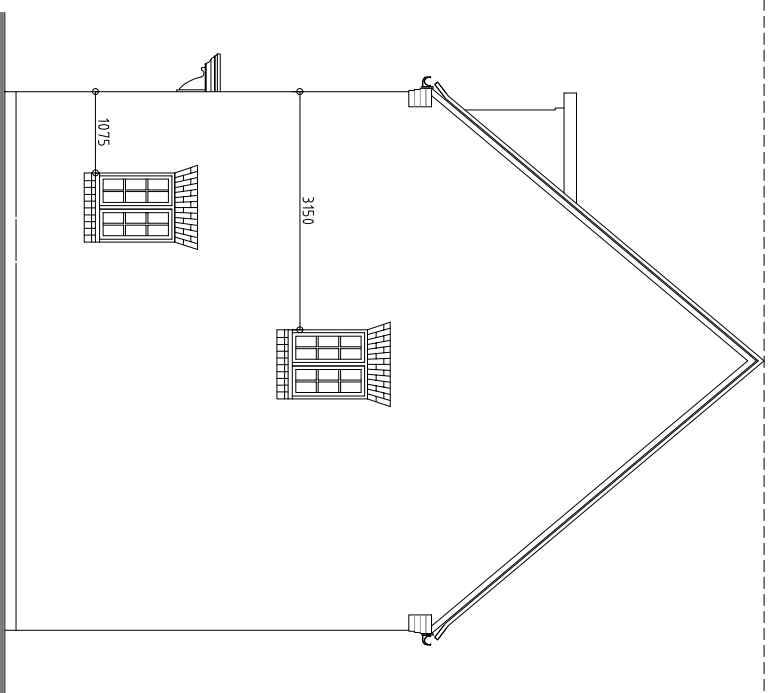
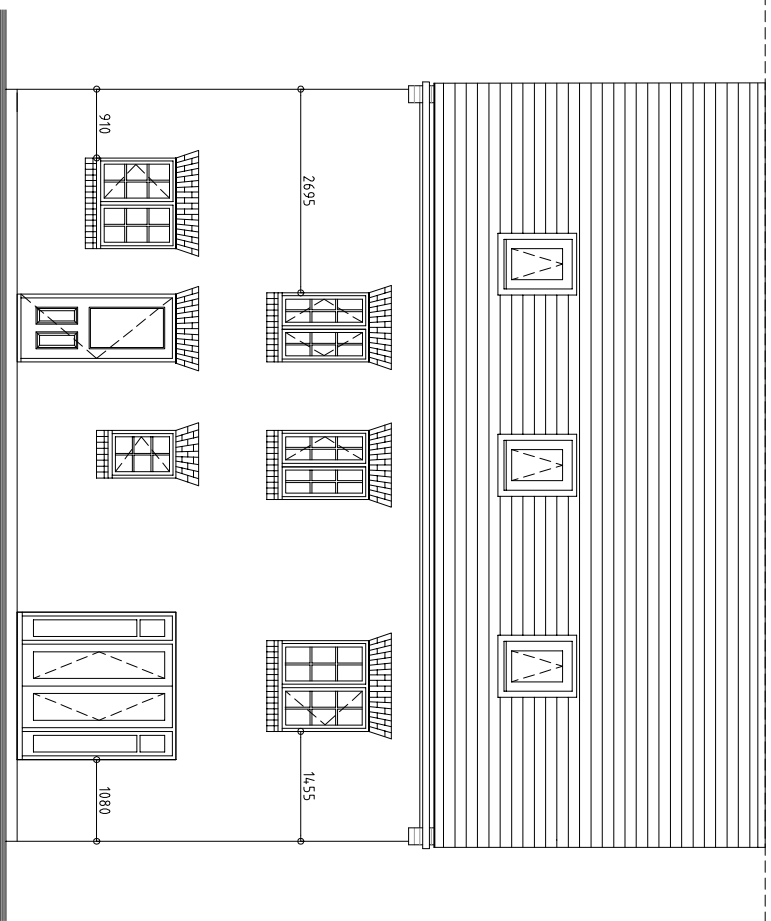


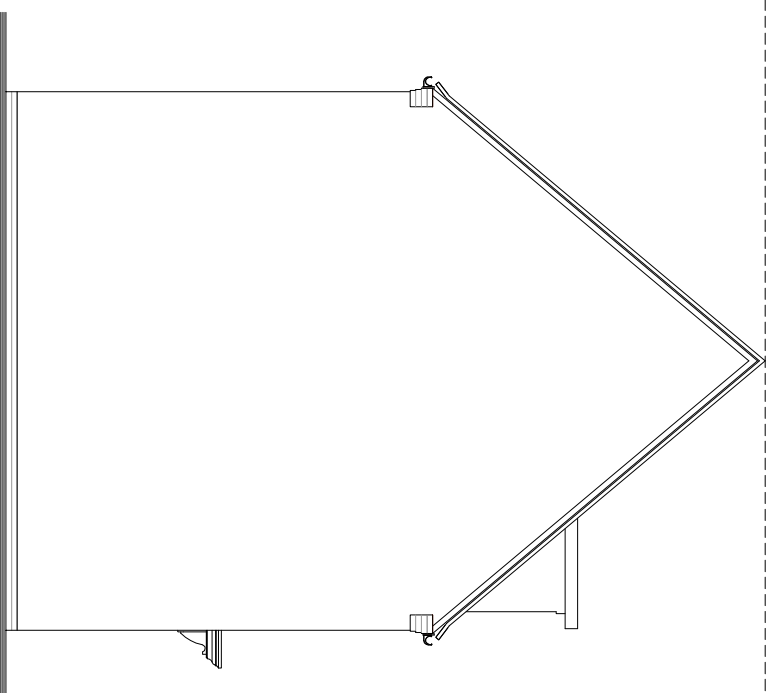
FRONT ELEVATION



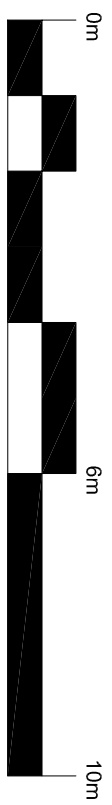
SIDE ELEVATION



REAR ELEVATION



SIDE ELEVATION



NOTE:
 - Rain water goods to be Black
 - Gas meter boxes to be in ground
 - Electric meter boxes to be finished to match facing material
 - Refer to materials layout for all facing materials
 - Refer to Planning layout for Chimney positions
 - Rear windows and cill detailing not shown as elevations are not visible to the street scene.

HOUSE TYPE L PLANNING DRAWING
 5 BED DETACHED - RENDER
 PROPOSED ELEVATIONS
 1:100 @ A3
 HTPD_P504 03