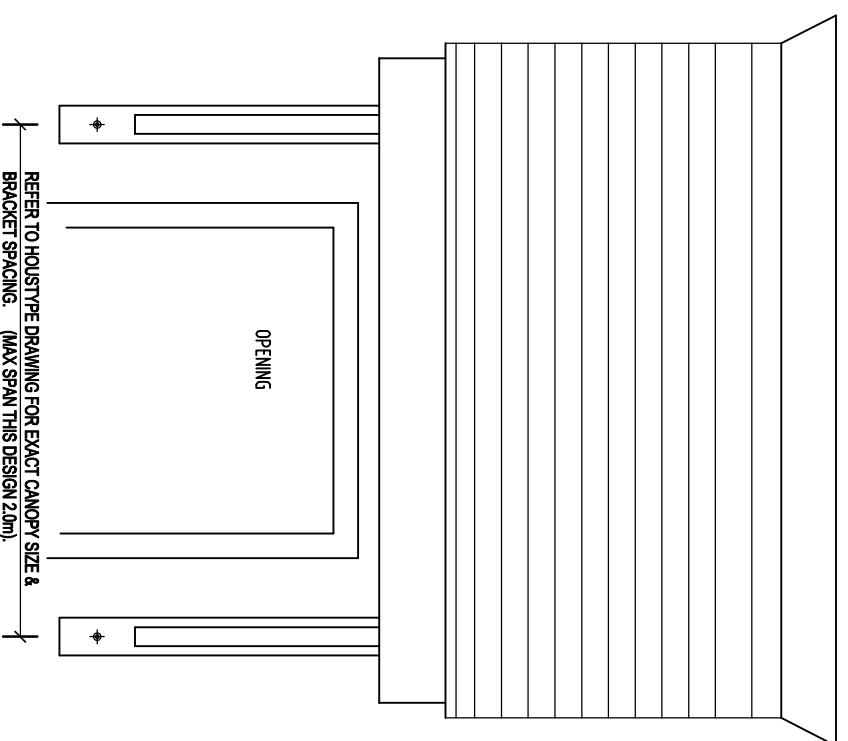
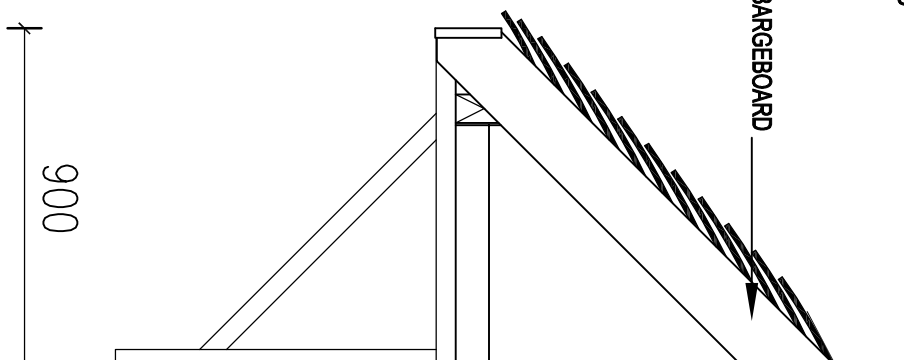


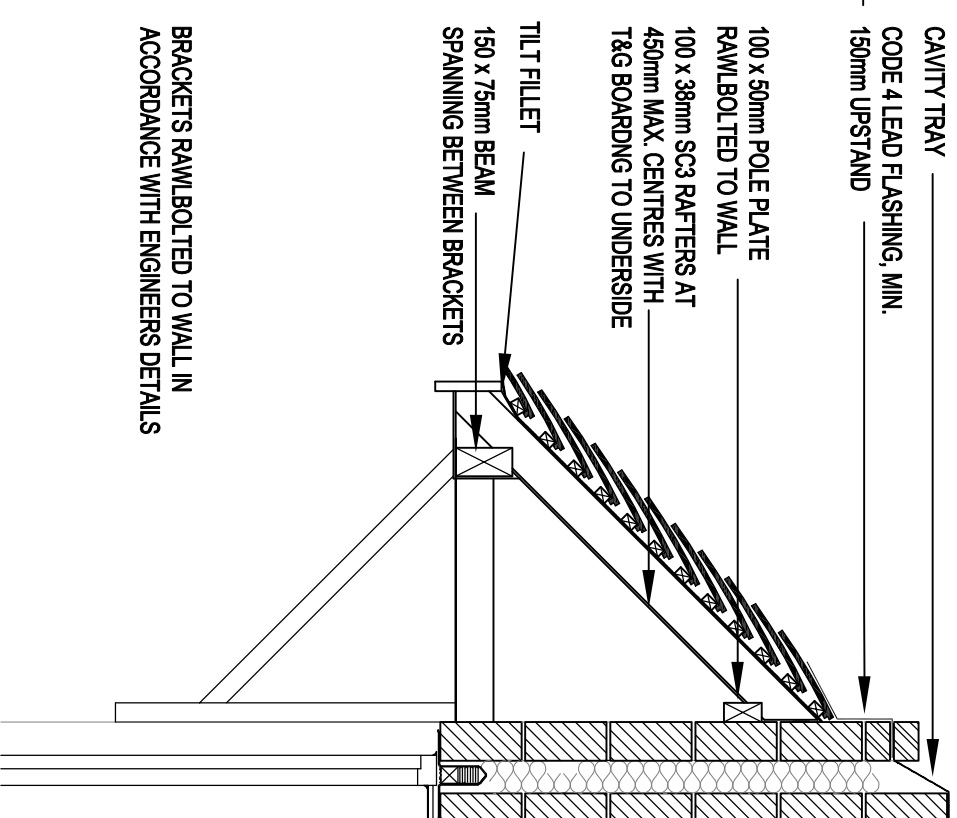
ROOF CONSTRUCTION  
 ROOF TILES ON 25 x 38mm TREATED S.W. BATTENS ON  
 UNTEARABLE FELT ON 18mm EXTERIOR QUALITY PLY LINING  
 ON RAFTERS AS NOTED



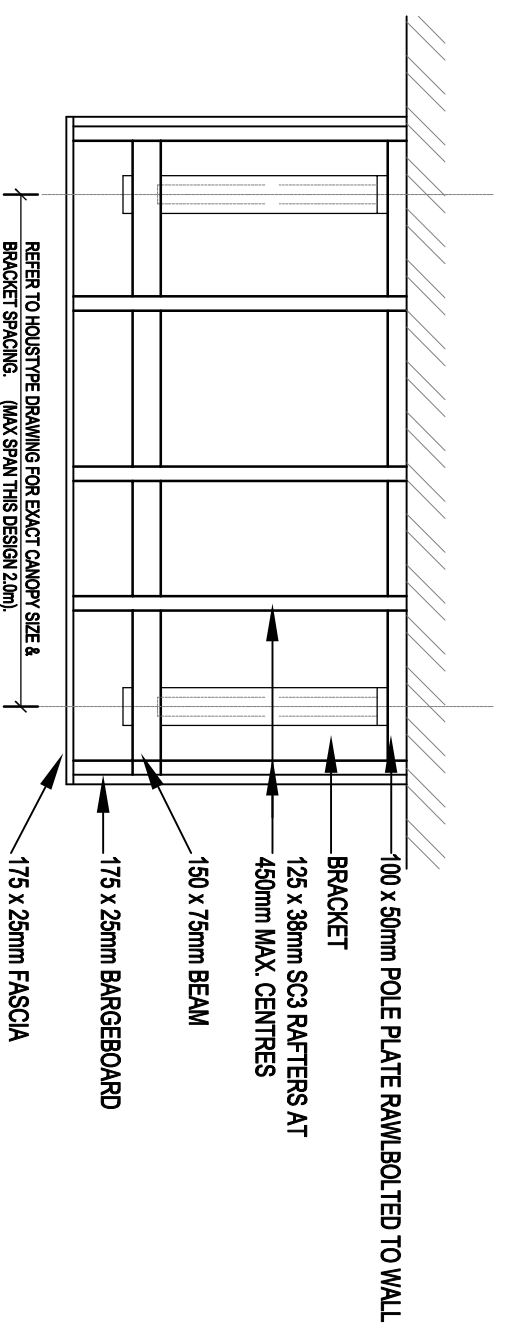
FRONT ELEVATION



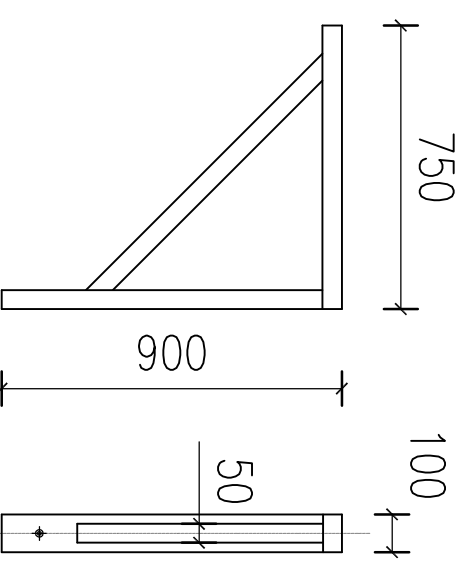
SIDE ELEVATION



SECTION



PLAN



BRACKET

Revisions:

Ref.	Date	Details
A	16/05/17	Canopy details updated as client's markup

**Belway**

BELWAY HOMES NORTHERN-HOME-COUNTIES MILTON-KENNES

Site Location KINGSMERE KM5 & KM22

Drawing BICESTER  
 DETAILS 3  
 LEAN TO CANOPY

SHEET 3 of 6

Scale	1:20	Date	29.07.16
Drawing No.	113/1012	Rev.	A
Drawn By:	CDA	Checked By:	CDA

Cad Ref:

THIS DRAWING IS A COPY-RIGHT  
 All dimensions to be checked on site or in the workshop before work commences. Only  
 figured dimensions to be worked to. Any discrepancies to be reported to the Architect.

**Carton Design**  
 Architecture Ltd  
 Architectural Consultants  
 7 The Old Dairy Buildings, Warburton, Nottinghamshire, NG22 8PQ.  
 Tel.: 01636 636333 Facsimile: 01636 636123  
 E MAIL: carton.design@virgin.net