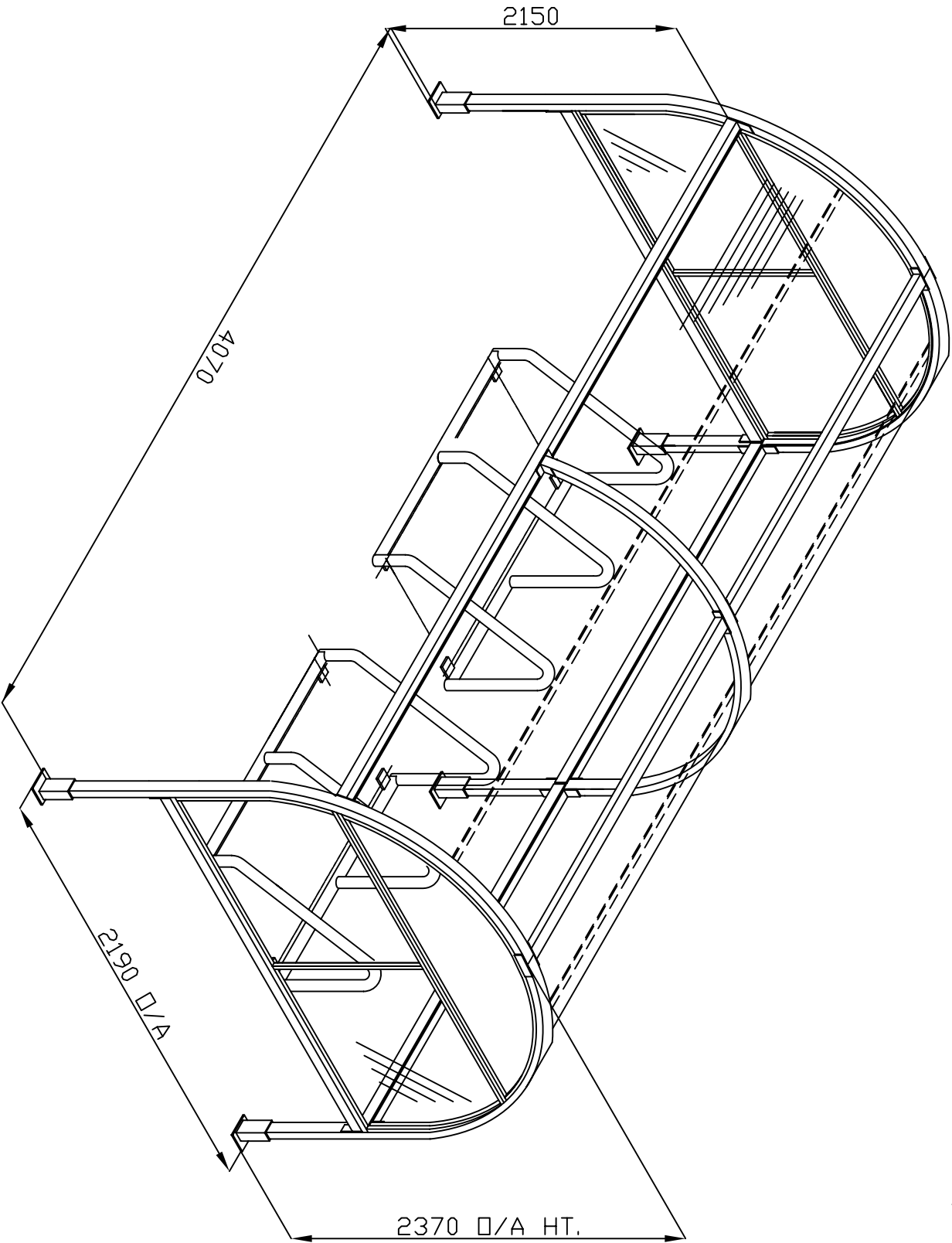



Alterations		Date & Sign
Issue	Alteration	



© Nutek Copyright Reserved



NUTEK LIMITED
 20 Triumph Way
 Woburn Road Industrial Estate
 Kempston, Bedford, MK42 7GB
 Telephone +44(0)1234 305444
 Fax +44(0)1234 305577

Material	AS SPECIFICATION
Finish	AS SPECIFICATION

Tolerances unless otherwise stated	
0	+ 0.5 mm
0.0	+ 0.1 mm
0.00	+ 0.01 mm

Title
**CYCLE SHELTER (NO CENT
 SUPPORT) - NOM. 4M**

Drawing Number	NCS-2500-SS	Drawn	DMH
Issue	A	Date	17/4/02
		Scale	- 1 : 22