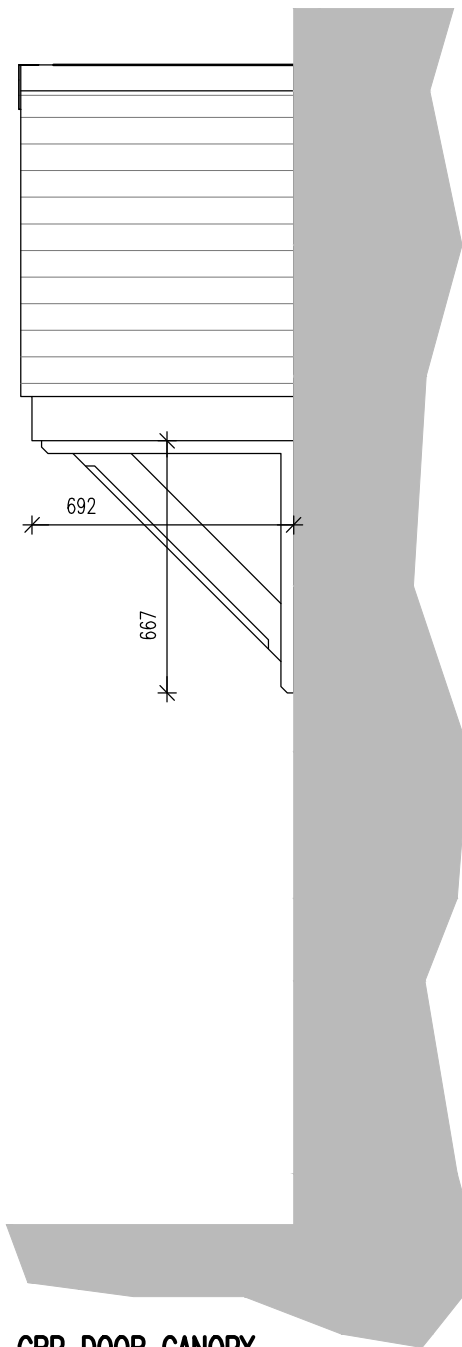
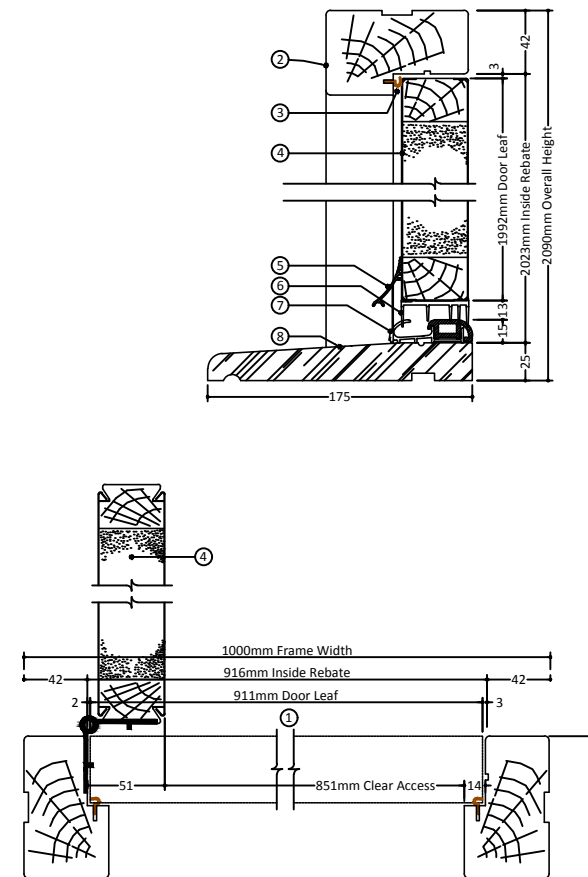


**GRP DOOR CANOPY**  
**FRONT ELEVATION**  
**BRICK ELEVATION**  
**SCALE 1:20**




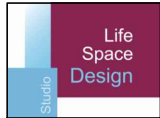
**GRP DOOR CANOPY**  
**SIDE ELEVATION**  
**SCALE 1:20**

**DOOR FRAME VERTICAL SECTION - INWARD OPENING.**  
**SCALE 1 : 5**



DO NOT SCALE FROM THIS DRAWING.  
 USE WRITTEN DIMENSIONS ONLY.  
 ANY DISCREPANCIES OR SUGGESTED  
 REVISIONS TO BE REPORTED TO TAYLOR  
 WIMPEY UK.  
 DRAWING TO BE READ IN CONJUNCTION  
 WITH LATEST TAYLOR WIMPEY NATIONAL  
 CONSTRUCTION SPECIFICATION.

1. Softwood timber external quality door frame sets with suitable fixing cramps (minimum 4 per jamb). Fixing: 150mm minimum from corners. (250mm max from corners) intermediate fixings no greater than 600mm centres.
2. Softwood timber frame.
3. Compression weatherstrip.
4. Door leaf: 24 gauge galvanised steel skins with timber stiles and a polyurethane core.
5. Weatherbar.
6. Rubber finned door bottom.
7. Weatherguard threshold.
8. SS/011 175x25mm Synthetic cill section (Part M.)

Date	Rev	Description
		
Taylor Wimpey Oxfordshire, Windrush Court, Suite J, Abingdon Business Park, Abingdon, Oxfordshire, OX14 1SY t: 01235 541900 f: 01235 541901		
Project Title <b>AUDLEY GARDENS</b> <b>CHESTERTON</b>		
Drawing Title <b>ENTRANCE CANOPY &amp; DOOR FRAME</b> <b>DETAILS</b>		
Date	Drawn	Checked
02/17	LSD	LSD
		Scale
		1:20/1:5 @ A3
Consultant Preston Lodge Court, Preston Deanery, Northampton, NN7 2DS t: 01604 871199 e: info@sdev.co.uk		
		Rev.
Drawing Number <b>LSD129.06.09</b>		-