

DO NOT SCALE FROM THIS DRAWING.
 USE WRITTEN DIMENSIONS ONLY.
 ANY DISCREPANCIES OR SUGGESTED
 REVISIONS TO BE REPORTED TO TAYLOR
 WIMPEY UK.
 DRAWING TO BE READ IN CONJUNCTION
 WITH LATEST TAYLOR WIMPEY NATIONAL
 CONSTRUCTION SPECIFICATION.

END GABLE GRP
 CHIMNEY INSTALLED TO
 MANUFACTURERS
 INSTRUCTIONS.

CHIMNEY TO BE POINTED
 ON THE GROUND TO
 MANUFACTURER'S
 SPECIFICATION, PRIOR TO
 INSTALLATION

BRICK SLIPS COLOUR TO
 MATCH MAIN HOUSE
 BRICKWORK

WHEN IN POSITION THE
 CHIMNEY CAN BE DRILLED AND
 SCREWED DIRECTLY INTO THE
 TRUSSES USING THE FIXING
 PLATE AND STAINLESS STEEL
 SCREW/WASHER SET PROVIDED.

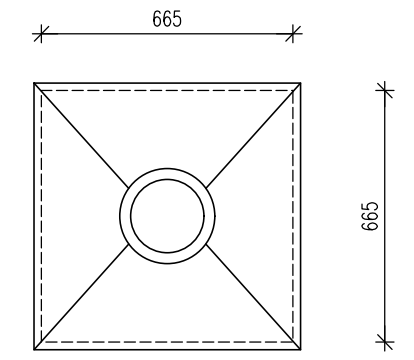
BATTENS TO OVERLAY THE
 FIXING PLATES (REDUCE
 THICKNESS OF BATTENS
 WHERE NECESSARY).
 BATTENS DRILLED AND
 SCREWED THROUGH PLATE.

ALTERNATIVE MID-RANGE
 GRP CHIMNEY
 INSTALLED TO
 MANUFACTURES
 INSTRUCTIONS.

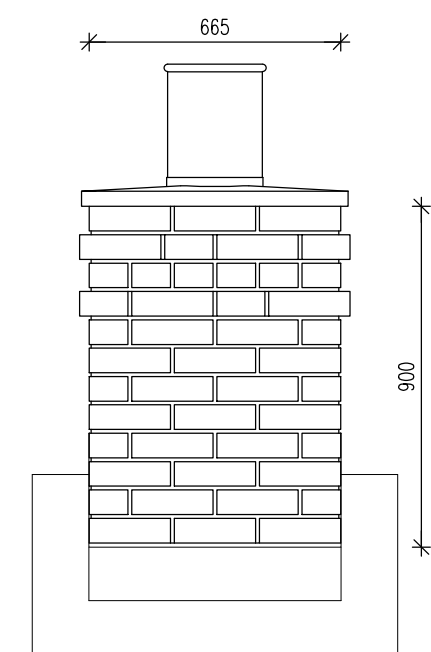
BRICK SLIPS COLOUR TO
 MATCH MAIN HOUSE
 BRICKWORK

25MM DEEP 'FLASHING CHANNEL'
 IN WHICH TO DRESS THE LEAD
 FLASHING USING THE PROVIDED
 POLYURETHANE SEALANT TO
 MANUFACTURERS INSTRUCTIONS

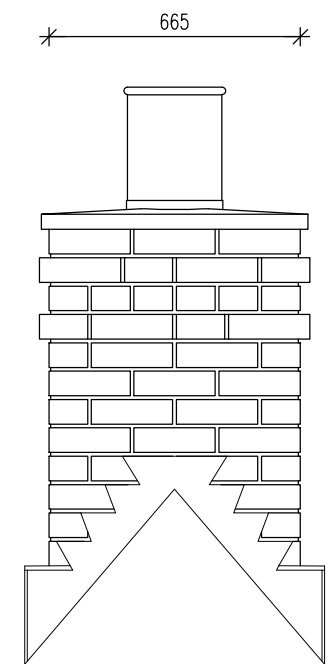
PREPARE TRUSSES WITH 2/3 LAYERS OF FELT
 IN THE AREAS WHERE THE CHIMNEY WILL BE
 SEATED. THE FELT SHOULD BE AT LEAST 4
 TIMES THE SIZE OF THE BASE OF THE UNIT. IF
 THE REMAINDER OF THE ROOF FELT IS FITTED
 AT A LATER STAGE, IT MUST BE FULLY LAPPED
 UNDER THE CHIMNEY FELT.



**GRP CHIMNEY
 PLAN
 SCALE 1:20**



**GRP CHIMNEY
 ELEVATIONS
 SCALE 1:20**



**GRP CHIMNEY POSITIONS
 ISOMETRIC VIEW
 NTS**

Date	Rev	Description
<h1 style="margin: 0;">Taylor Wimpey</h1>		
Taylor Wimpey Oxfordshire, Windrush Court, Suite J, Abingdon Business Park, Abingdon, Oxfordshire, OX14 1SY t: 01235 541900 f: 01235 541901		
Project Title AUDLEY GARDENS CHESTERTON		
Drawing Title CHIMNEY DETAILS PAGE 1 OF 2		
Date	Drawn	Checked
02/17	LSD	LSD
		Scale
		1:20 @ A3
Consultant Preston Lodge Court, Preston Deanery, Northampton, NN7 2DS t: 01604 871199 e: info@sdev.co.uk		
Drawing Number LSD129.06.06		Rev. -

