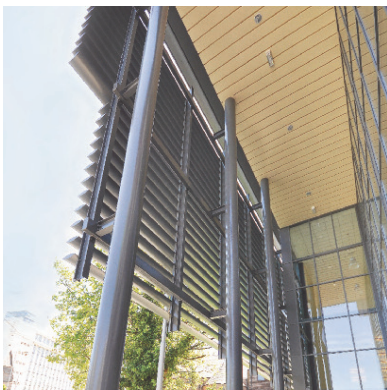


LEVOLUX

INFINITI FIN SYSTEM



The Levolux Infiniti Fin System is an innovative and flexible external shading system, designed to create a clean, continuous aesthetic.

- ◆ Concealed fixings
- ◆ Clean, continuous appearance
- ◆ Impressive performance
- ◆ Energy efficient



Introduction

The Levolux Infiniti Fin System is a new external aluminium solar shading system which has been designed to reduce solar heat gain and to provide an impressive aesthetic of continuous blades for new and existing buildings.

With its unique patented design, featuring a 2-part Fin and integral stainless steel locking plate, the Infiniti Fin System is flexible enough to complement any scheme.



The Infiniti Fin System is available in standard and multi-angle arrangements.

Features & Benefits

Cleaner, Sleeker Aesthetic – The Infiniti Fin System has innovative, concealed, low profile fixings and support arms, creating long, unobstructed runs which have a continuous appearance. It is available in a range of sizes and formats with a variety of surface finishes and coatings to meet any requirement.

Comfortable Environment – The combination of concealed fixings, low profile supports and wide spacing of fins allows plenty of natural daylight to filter through into the building and good outward visibility, whilst reducing solar heat gain. The system helps to create a cool, comfortable and naturally lit environment.

Flexibility – Fins can be installed horizontally, vertically or angled to complement any new building or as part of a refurbishment of an existing building. The Fins can be cantilevered past the carrier and the use of internal cleats on corners ensures perfect alignment.

Improved Structural Integrity – Unlike traditional 'bird mouth' fixings used in the past, the Infiniti Fin System features a patented, integral stainless steel locking plate which is concealed within a two-part Fin. This makes it inherently stronger and more stable under windy conditions, even over long spans. The brackets themselves have passed rigorous tests, accepting loads in excess of 2Kn/m² and the combined system is designed to absorb any thermal expansion which could otherwise weaken the support structure.

Environmentally Friendly – The Infiniti Fin Solar Shading System reduces solar heat gain through the shaded area by as much as 95%. This significantly reduces the need for air conditioning, reducing energy costs and carbon emissions.

Virtually Maintenance Free – Stainless steel fixings provide a virtually maintenance-free, corrosion-resistant system.

Accessibility – The Infiniti Fin system can be integrated into a complete façade system incorporating walkways, handrail and latch-way systems, making them accessible for regular cleaning and maintenance.

The Range

The Levolux Infiniti Fin System can accommodate fins at standard widths of 200mm, 250mm, 300mm or 480mm and the pitch can be varied to suit



View of installation at Nottingham Trent University.



LEVOLUX

DESIGNED TO CONTROL

project specific sun cut-off angles. Other sizes can be considered, as the system allows the flexibility to meet specific requirements of the architect and client.

Product Quality

The Levolux Infiniti Fin System comprises of the highest quality components which are naturally resistant to corrosion and weathering, and can be custom engineered to meet special requirements. The aluminium fins can be provided with a range of finishes, including mill, anodised or powder coated.

Support Components

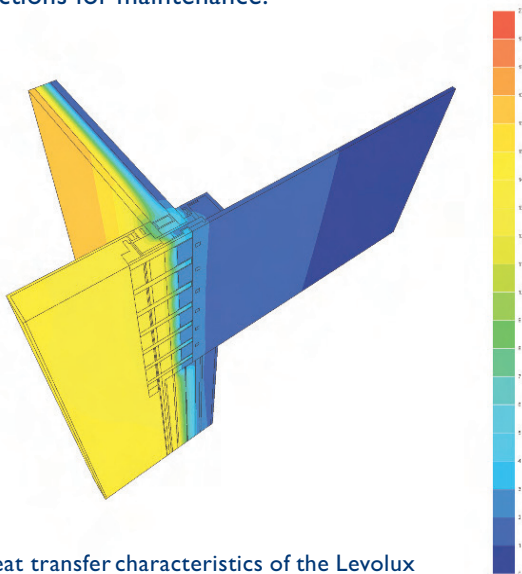
Aluminium: in mill, anodised or polyester powder coated finish.

Steel: as stainless steel or mild steel to grade 316, with a galvanised and/or multi-pack paint finish.

System Construction

The main components of the Levolux Infiniti Fin System are:

- ◆ Aerofoil Fin bracket – in stainless steel.
- ◆ Support arm and support fixings – a wide range of stainless, galvanised steel or aluminium fixing brackets is available, including a thermally broken curtain wall bracket (see below).
- ◆ Two-part Fins – in extruded aluminium alloy.
- ◆ In all cases, the option exists to fit them vertically, horizontally or angled as required.
- ◆ Walkway (optional) – extruded aluminium 'J' sections for maintenance.



Heat transfer characteristics of the Levolux Universal Curtain Walling Bracket with integrated thermal break – 70% more effective than a standard bracket.



Efficient solar shading without loss of natural daylight and outside views.

Three Year Warranty

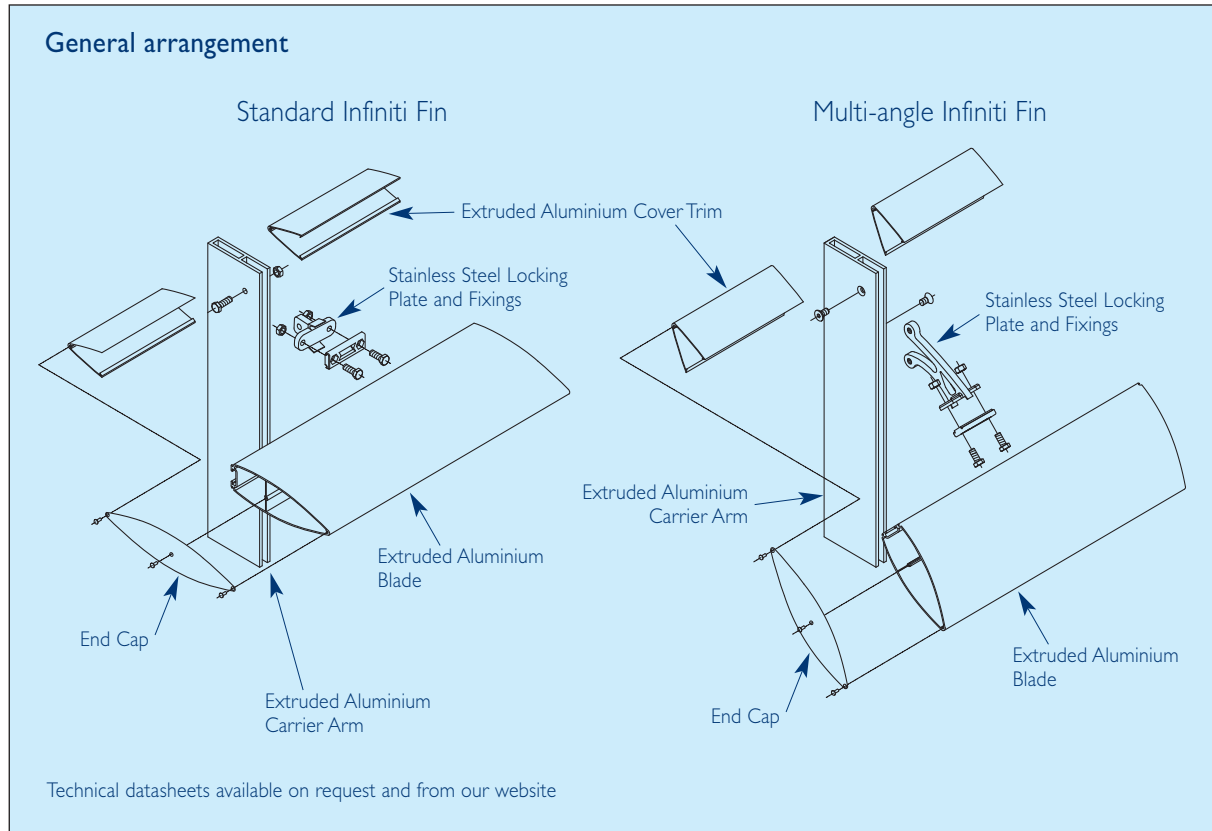
All Levolux systems are made with a high-grade material to exacting specifications. This enables us to provide a guarantee providing free of charge replacement parts should any system prove defective within three years of installation.

This guarantee is conditional on the manufacturer's recommended fitting and operating instructions having been followed.



The Levolux Infiniti Fin System complements any design scheme and can be applied to a new building or to regenerate an existing building.





Specification

Item: External Infiniti Fin System:

External solar shading system to be Levolux Infiniti Fin System in natural anodised/polyester powder coated* finish from the Levolux range.

Colour to be.....+

System to be fixed at.....+%

Levolux Infiniti Fins to be.....+ mm in width
No.....+ from the Levolux range.

Framework and support system to suit.

To suit glazed areas.....+ mm wide
by.....+ mm high all in accordance with
glazed area as detailed on drawings
Nos.....+

Supplied and installed by an approved Levolux distributor.

In line with our policy of continuous product development, Levolux reserves the right to alter specifications without prior notice.

+Insert as applicable *Delete as applicable

Further Information

For further information on Levolux Solar Shading Systems and effective ways to control light, heat and glare, please contact:

Levolux Limited

Forward Drive, Harrow
Middlesex HA3 8NT
United Kingdom

T: (+44) 020 8863 9111

F: (+44) 020 8863 8760

E: info@levolux.com

Levolux A.T. Limited

24 Eastville Close
Eastern Avenue
Gloucester GL4 3SJ
United Kingdom

T: (+44) 01452 500007

F: (+44) 01452 527496

E: info@levolux.com

www.levolux.com

