

CDM REGULATIONS 2015: DESIGNERS NOTES ON SIGNIFICANT RESIDUAL RISKS

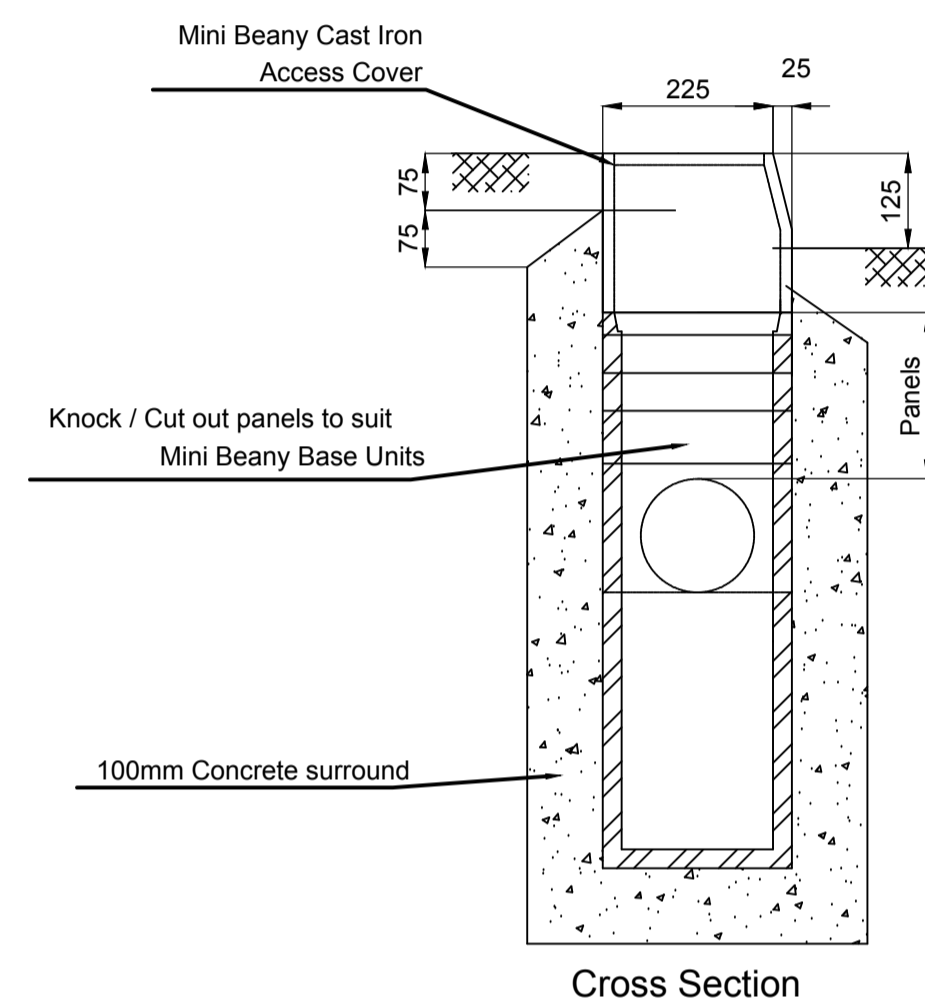
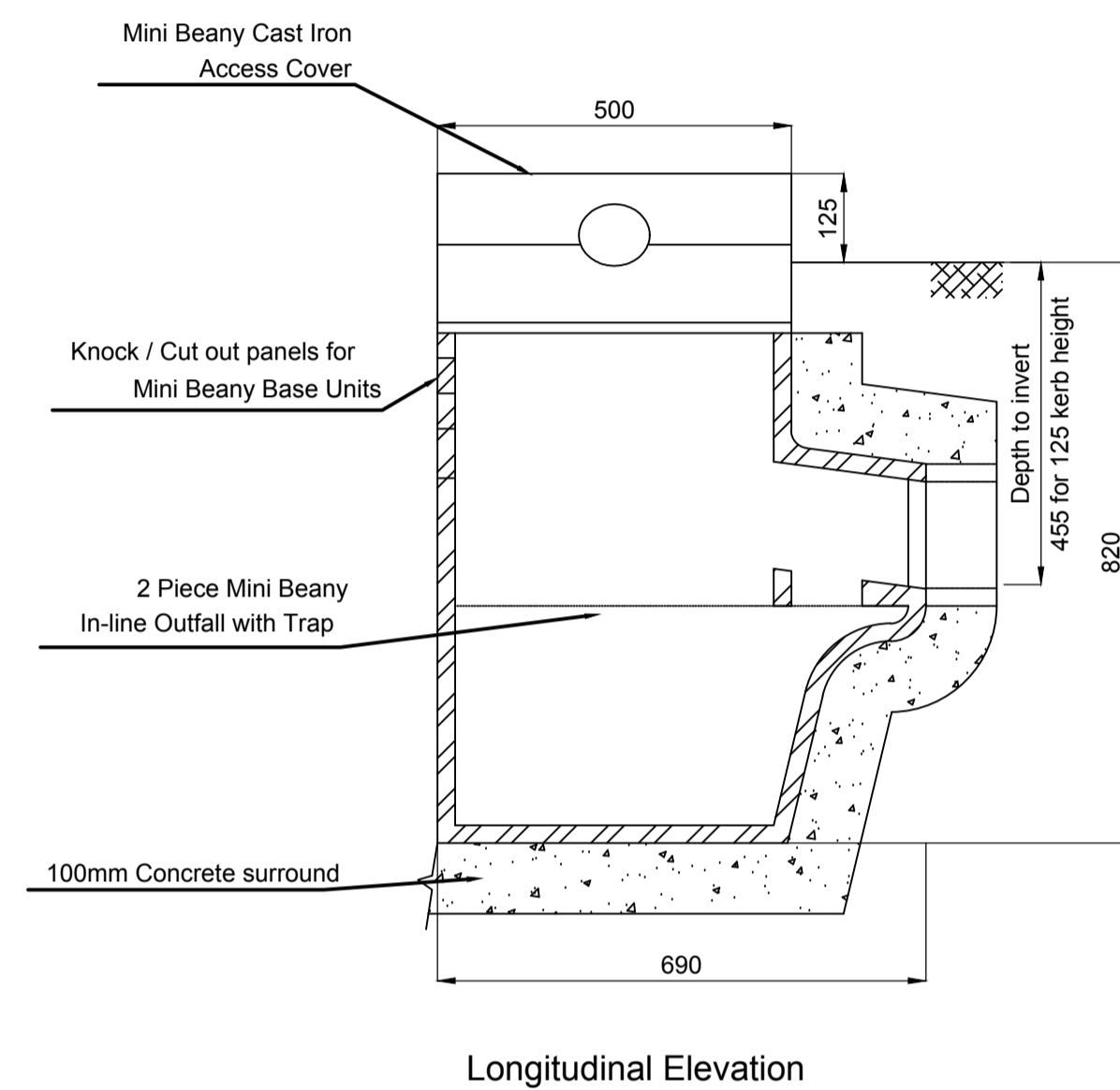
1.

THESE NOTES RELATE SOLELY TO INFORMATION SHOWN ON THIS DRAWING. ONLY SIGNIFICANT RISKS WHICH ARE CONSIDERED TO BE UNUSUAL, OR UNLIKELY TO BE OBVIOUS TO A COMPETENT CONTRACTOR OR OTHER DESIGNER WILL BE HIGHLIGHTED. THIS INFORMATION MAY BE SUBJECT TO REVISION AS THE DESIGN DEVELOPS.

DRAINAGE NOTES:
REFER TO PEP DRAWING 455316-PEP-00-ZZ-DR-D-1200 FOR NOTES

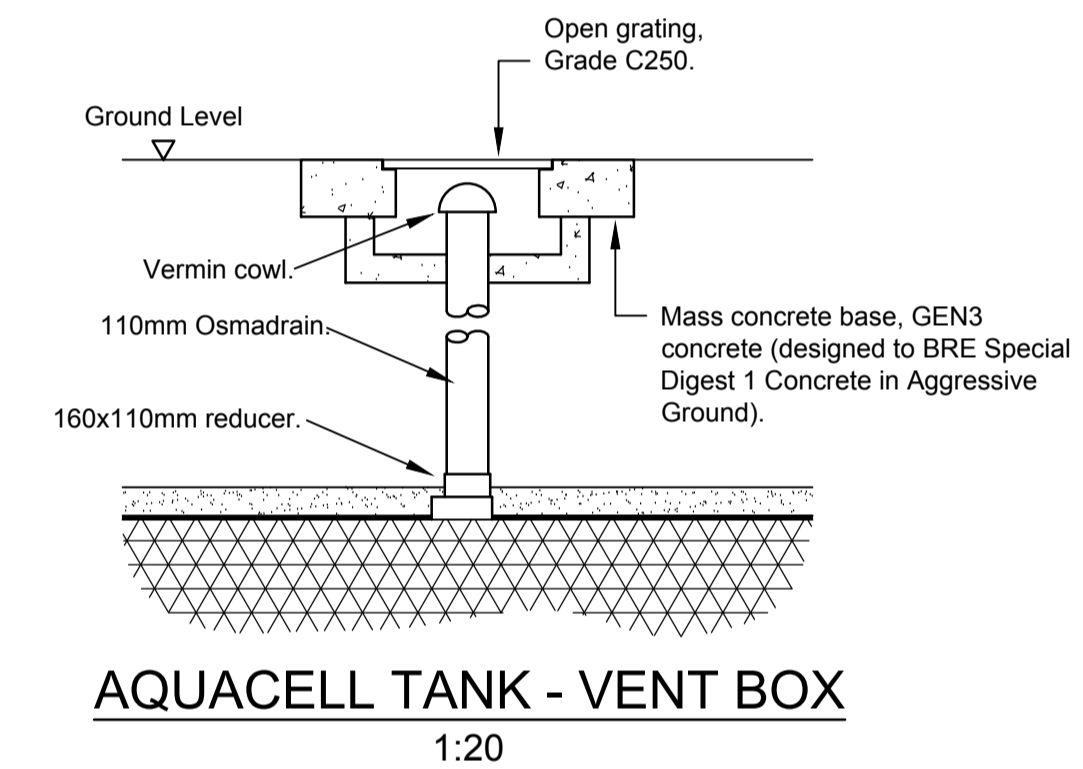
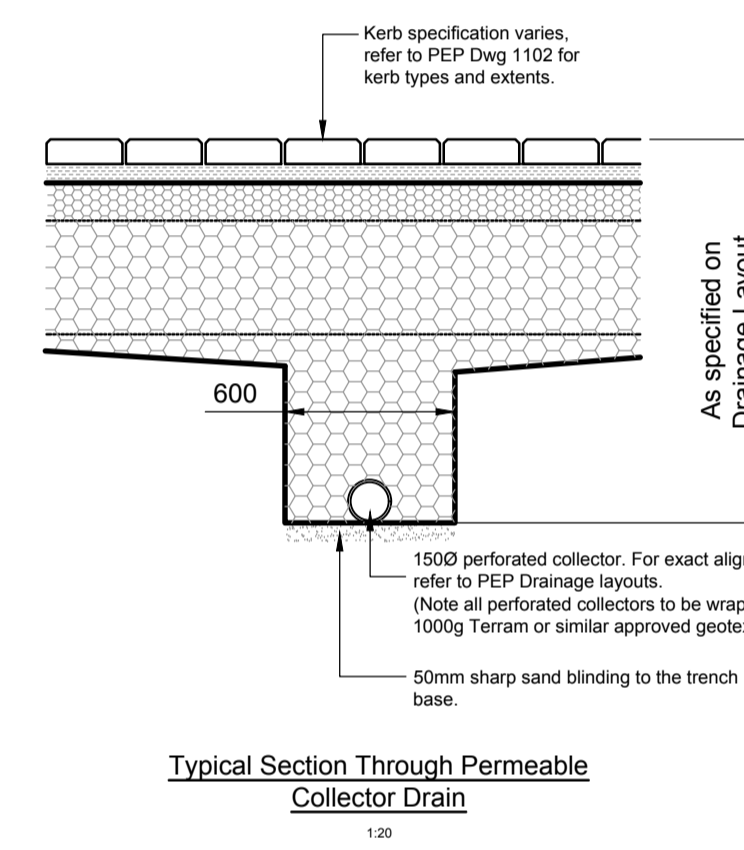
Mini Beany 260 (with Conservation Half-Battered Kerb)

1:10



Mini Beany - In-line End Outfall

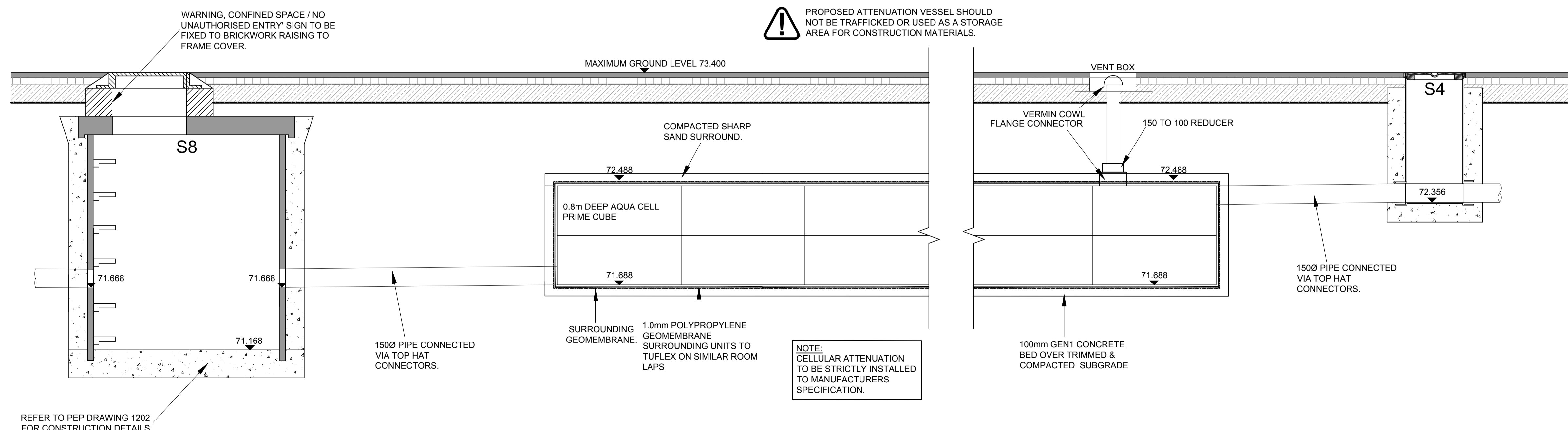
1:10



AQUACELL TANK - VENT BOX

1:20

WARNING PROPOSED ATTENUATION VESSEL SHOULD NOT BE TRAFFICKED OR USED AS A STORAGE AREA FOR CONSTRUCTION MATERIALS.



TYPICAL SECTION THROUGH CELLULAR ATTENUATION

NTS

REV	BY	CHK	DESCRIPTION	DATE
P03	JL	CPR	UPDATED TYPICAL SECTION THROUGH CELLULAR ATTENUATION	08.12.16
P02	JL	CPR	UPDATED TYPICAL SECTION THROUGH CELLULAR ATTENUATION	28.11.16
			AMENDMENTS	DATE



PEP House, Stonely Lane, Bourne End, Hemel Hempstead, Herts, HP1 2SB
01442 869400 www.pepgroup.co.uk design@pepgroup.co.uk



COUNTRYSIDE
Places People Love

PROJECT
KINGSMERE COMMUNITY CENTRE
BICESTER

TITLE
DRAINAGE CONSTRUCTION DETAILS
SHEET 2 OF 2

DRAWN	CHECKED	APPROVED
JL	CPR	NM
SCALE	ORIGINAL PAPER SIZE	FIRST ISSUE DATE
AS SHOWN	A1	18/11/2016

PROJECT	ORIGINATOR	VOLUME	LEVEL	TYPE	ROLE	NUMBER
455316	PEP	00	ZZ	DR	D	1203

STATUS	SUITABILITY DESCRIPTION	
D1	SUITABLE FOR COSTING	
REVISION	REVISION DESCRIPTION	PEP PROJECT REF.
P03	PRELIMINARY	455316

© PEP Civil & Structures Ltd - This drawing is copyright and must not be reproduced wholly or in part without prior permission.