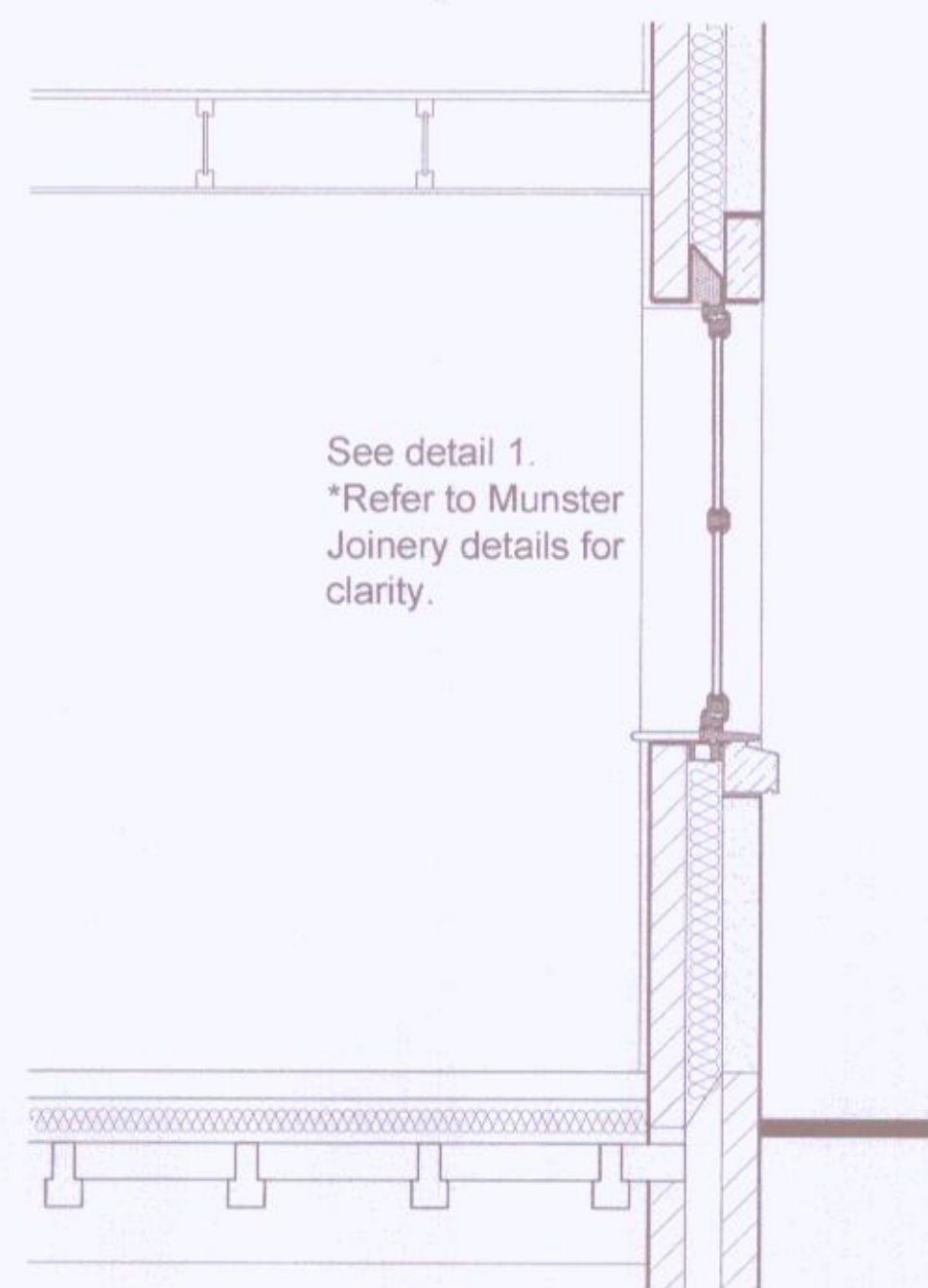
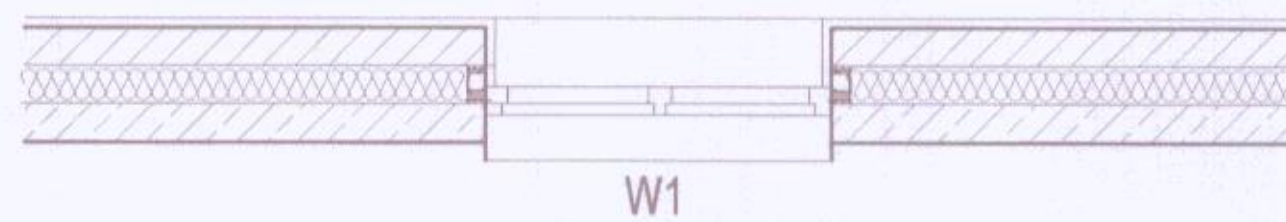


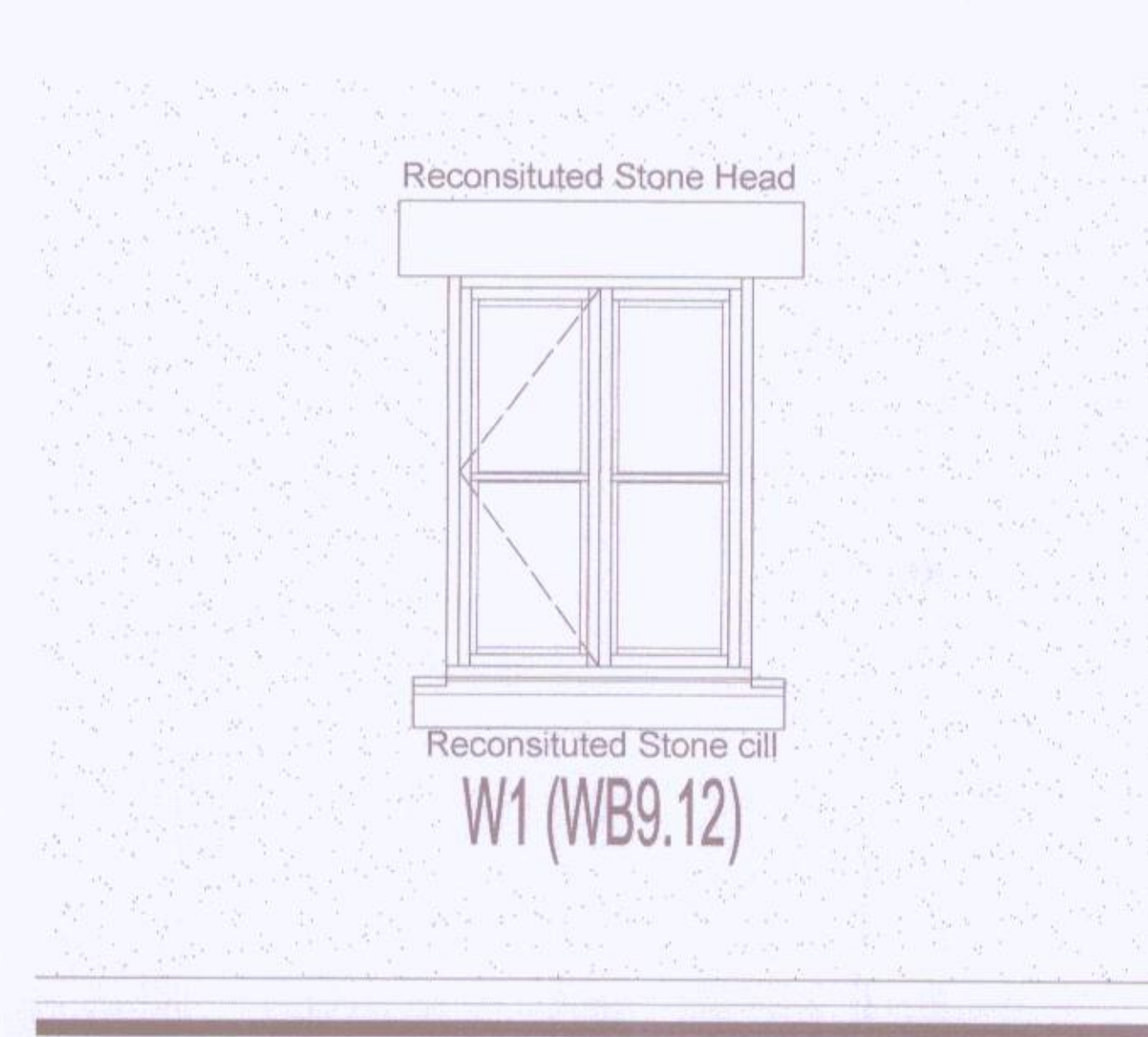
See detail 3.
*Refer to Munster Joinery details for clarity.

PLAIN CASEMENT



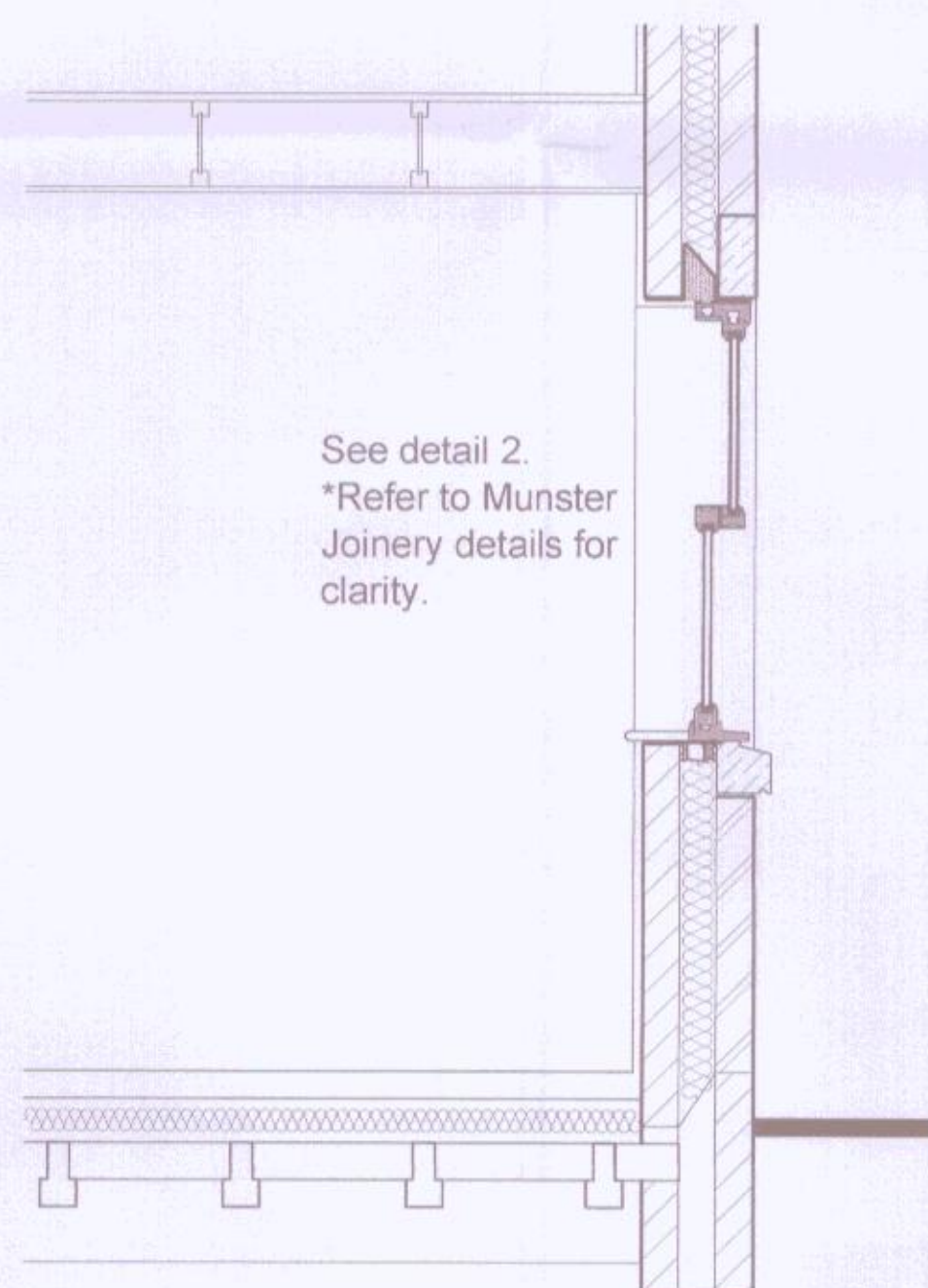
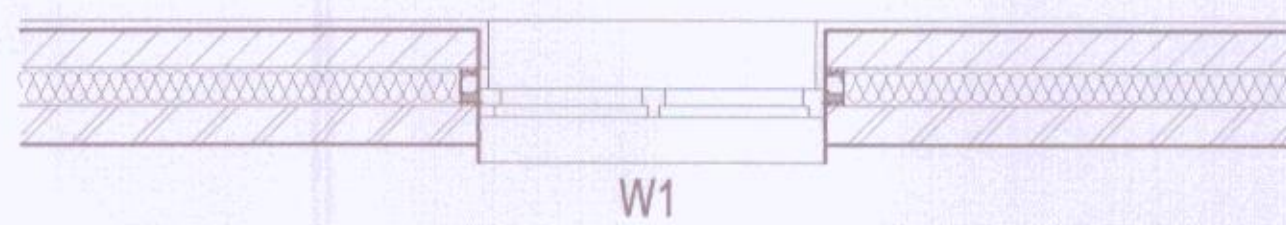
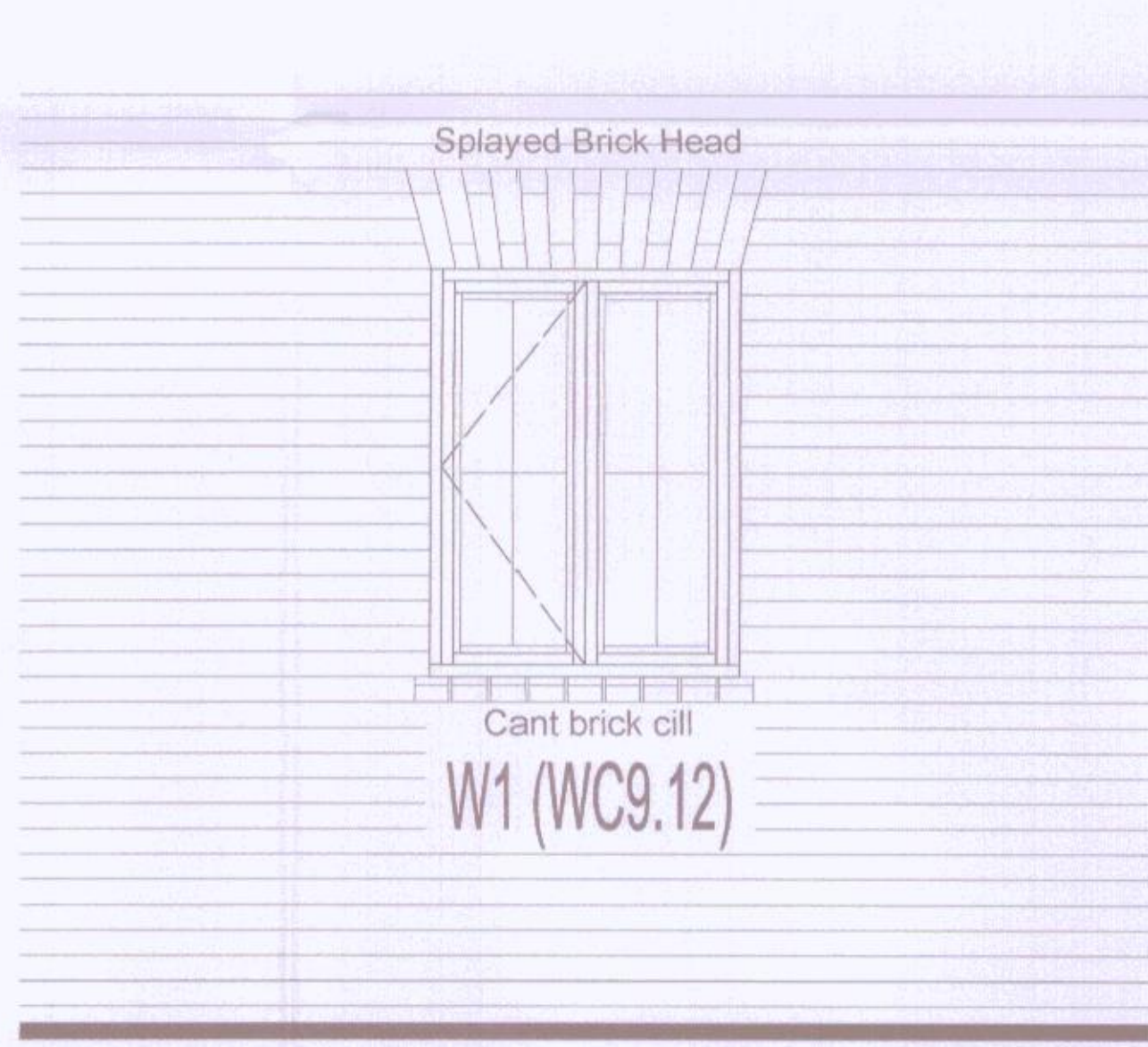
See detail 1.
*Refer to Munster Joinery details for clarity.

CASEMENT WITH HORIZONTAL BAR



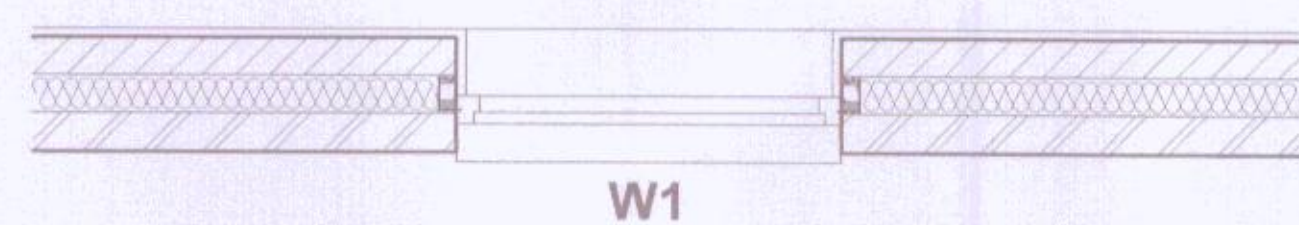
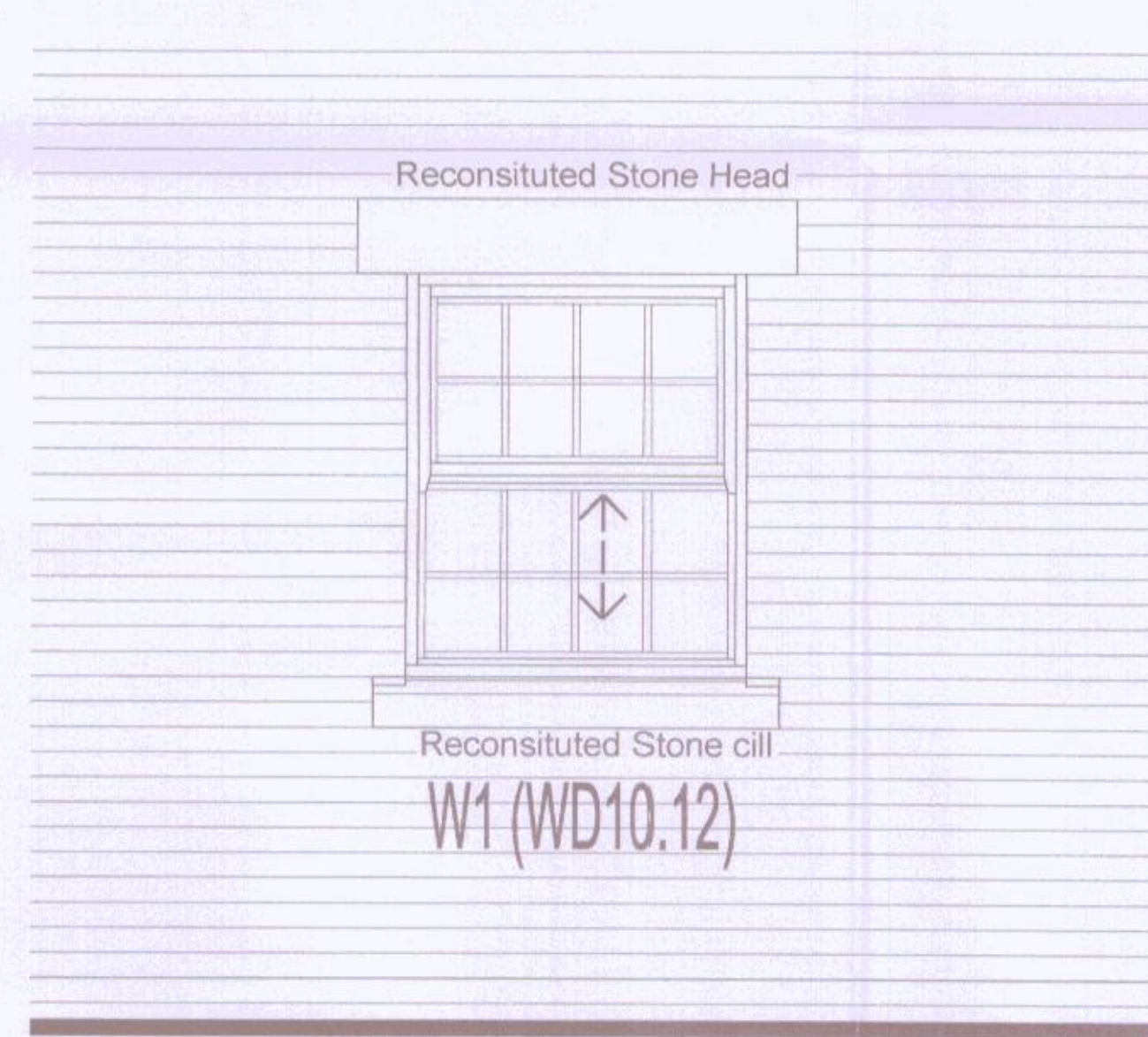
See detail 3.
*Refer to Munster Joinery details for clarity.

LEADED LIGHT CASEMENT

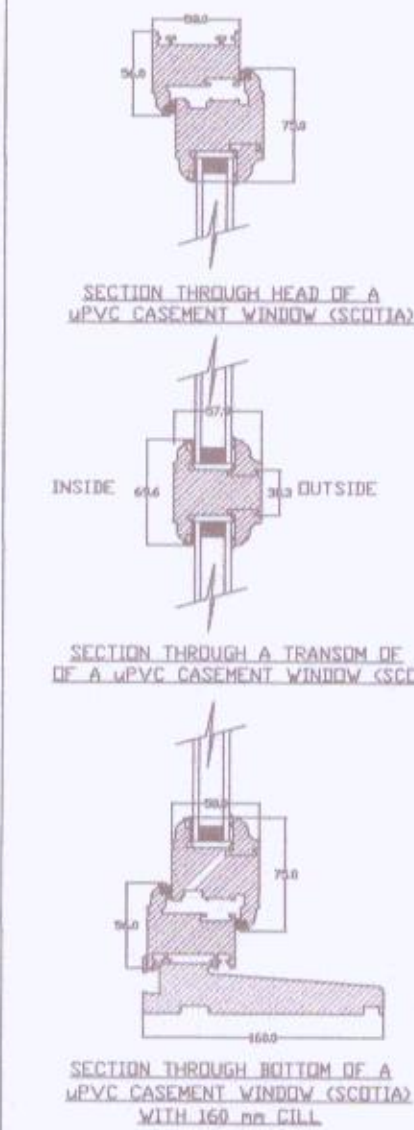


See detail 2.
*Refer to Munster Joinery details for clarity.

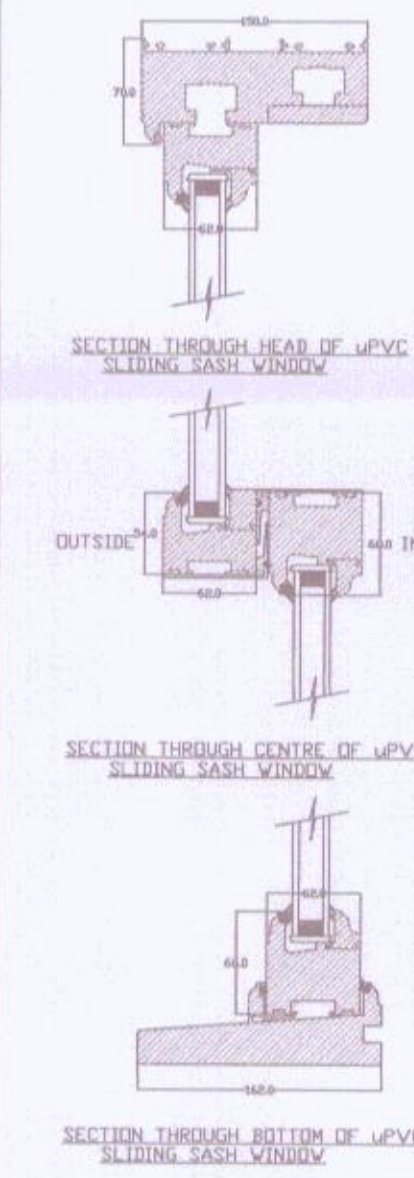
SASH SLIDING WINDOW



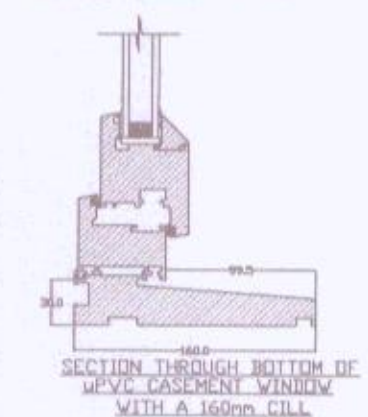
1. uPVC CASEMENT WINDOW (SCOTIA) DETAIL SCALE 1.5



2. SLIDING SASH DETAIL SCALE 1.5



3. uPVC CASEMENT CILL DETAIL 160mm SCALE 1.5



- Notes to window schedule:
- Cill height dimension is taken from FFL to U/S sill board.
 - All safety glazing to comply with Approved Document K4 Section 5 Diagram 5.1 for glazing to critical locations.
 - All fire escape windows to comply with Approved Document B1 Section 2.4 for emergency egress.
 - All cills and jambes to windows to be positioned within openings to ensure minimum 30mm overlap of adjacent cavity closer to prevent cold bridging.
 - All cills to windows to be sized to ensure adequate provision for weather drip.
 - All windows and glazed elements to be double glazed hermetically sealed type.
 - Permanent background ventilation to be provided in accordance with Approved Document F Section 5 Table 5.2a. Trickle vents to be incorporated into window heads where possible.
 - Windows to have a minimum opening area of 1/20th of the floor area of the habitable room.
 - All opening windows with sill height less than 800mm from FFL to be provided with guarding or safety glazing in accordance with Approved Document K2 Section 3 Diagram 3.1 and Approved Document K4 Section 5 Diagram 5.1 and BS8213 Pt1:2004.
 - Windows shall have a maximum U-value of 1.3w/m²K. Weather drip, double glazing, lintel notes included.
 - Lintels to all openings are to be galvanneal steel cavity type with insulated centres - all as manufacturers schedules. Lintels to have minimum 150mm and bearing where possible with cavity trays with stop ends above all levels.
 - Background ventilation requirement 70,000mm². Requirement met using trickle ventilators to window and door heads.
 - Windows to ground floors or other accessible locations shall include one pane of laminated glass to a minimum thickness of 6.4mm and fully in accordance with BS EN 356 2000 rating PSA. Windows to ground floors shall be provided with key operated locks. Habitable rooms to first floors shall not be fitted with key operated locks. Windows must be securely fixed to the surrounding structure at max. 600mm c/c with at least 2 no. fixings per side. All windows to be installed to exactly the same specification as that successfully tested.

NB: See housetype elevations for arrangement, specific material finishes, window styles & Heads and Cills.

Ref.	Date	Details
A	19/10/16	Timber window head revised to client's email 19/10/16



BELLWAY HOMES NORTHERN-HOME-COUNTIES MILTON-KEYNES
Site Location: KINGSMERE KM5 & KM22
BICESTER
Drawing: WINDOW DETAILS

SHEET 7 of 7
Scale: 1:20 Date: 08.02.16
Drawing No: 113/1007 Rev: A
Drawn By: CDA Checked By: CDA
Cdd Ref:

THIS DRAWING IS A COPYRIGHT
All dimensions to be checked on site at the workshop before work commences. Only figured dimensions to be marked. Any other dimensions to be required to be on site.

Carlton Design
Architecture Ltd
An Architectural Consultancy
7 The Old Dairy Buildings, Washburn, Nottinghamshire, NG22 8PQ.
Tel: 01652 636353 Fax: 01652 636325
E: MAIL: carlton.arch@btopenworld.com