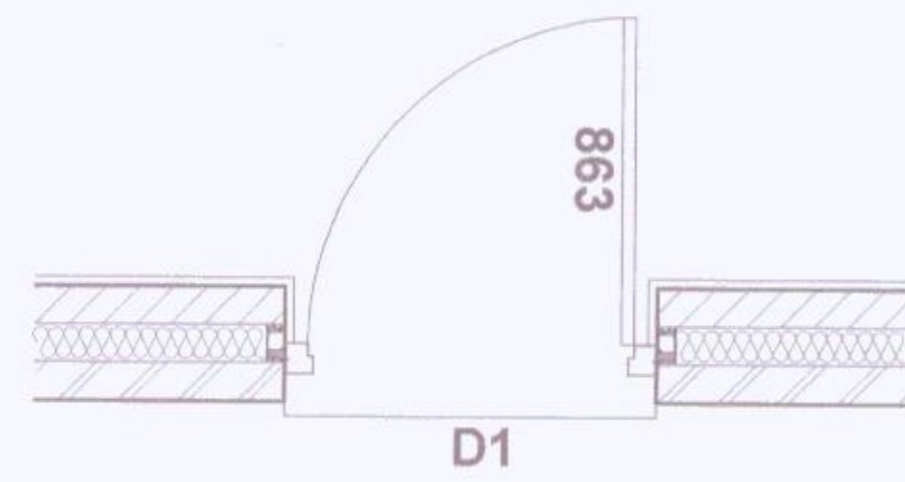
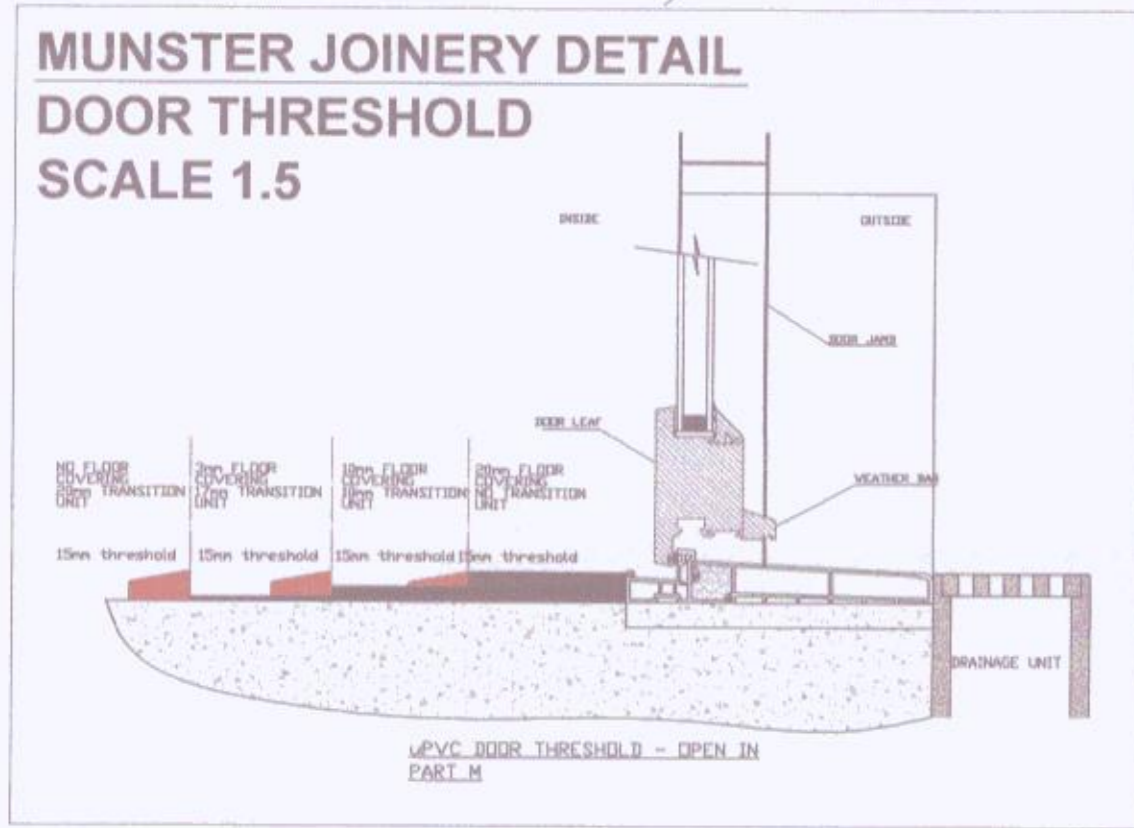
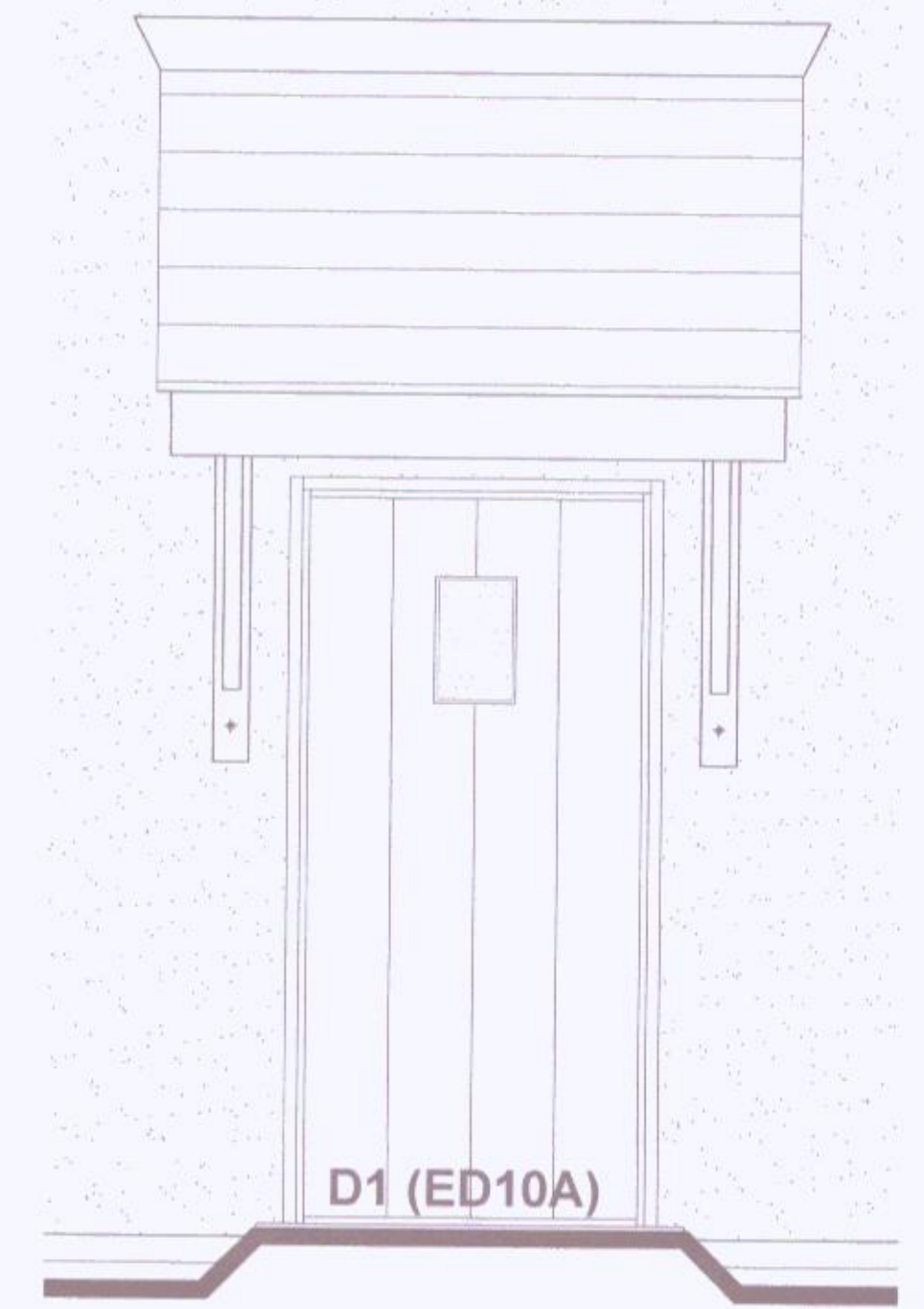
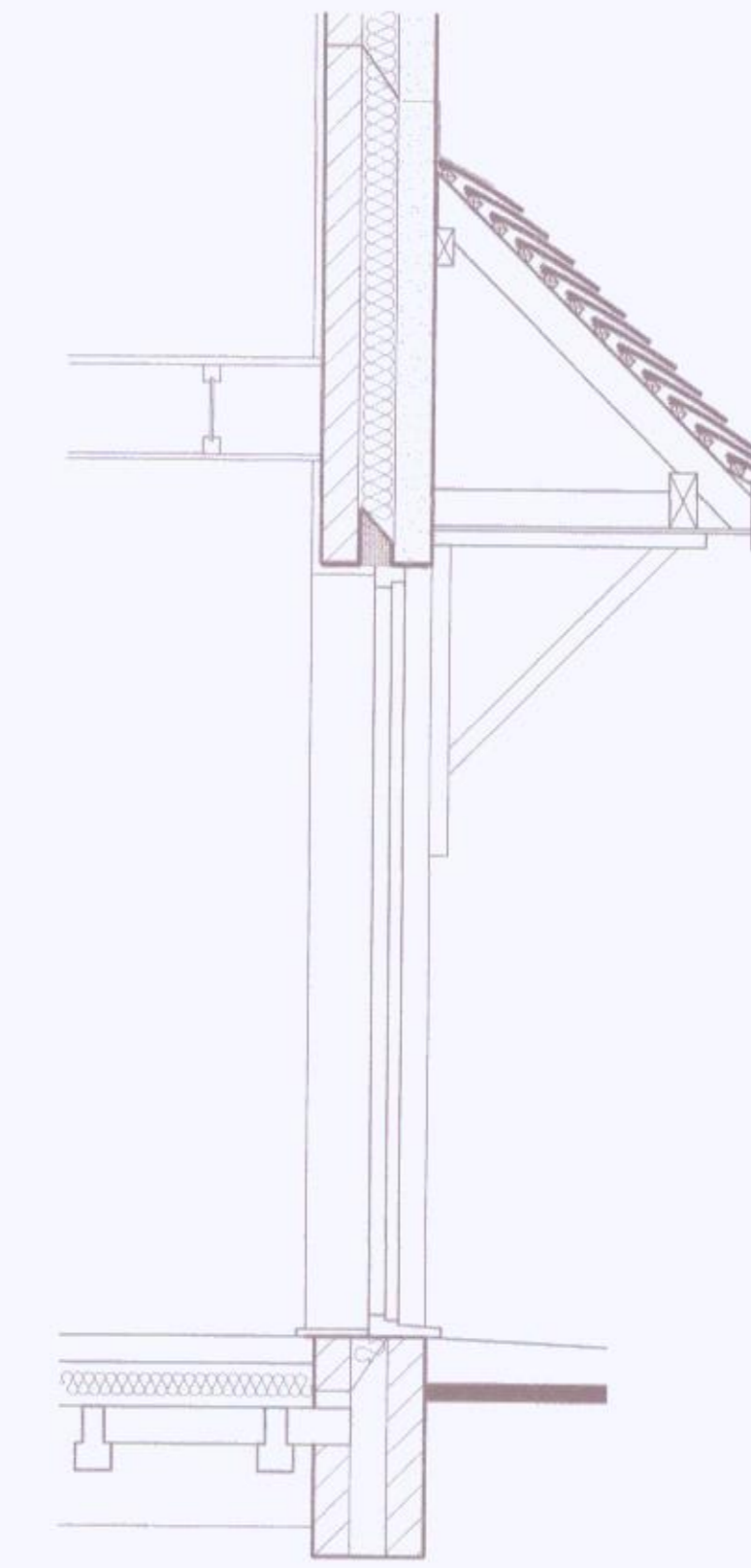
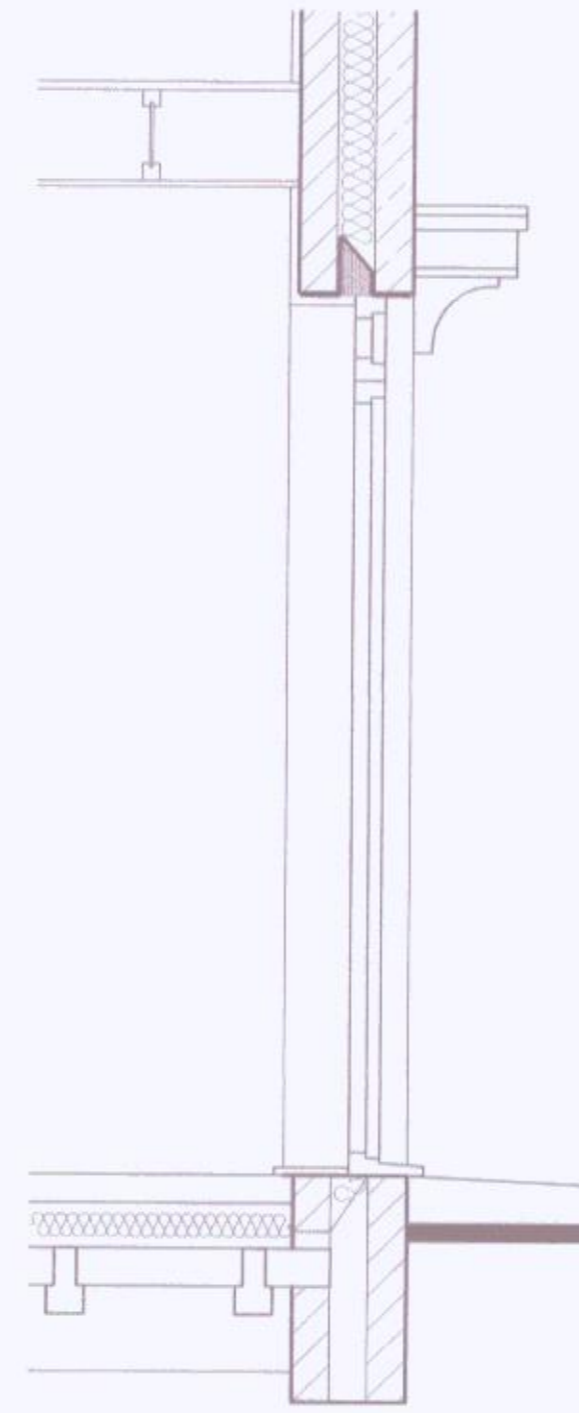
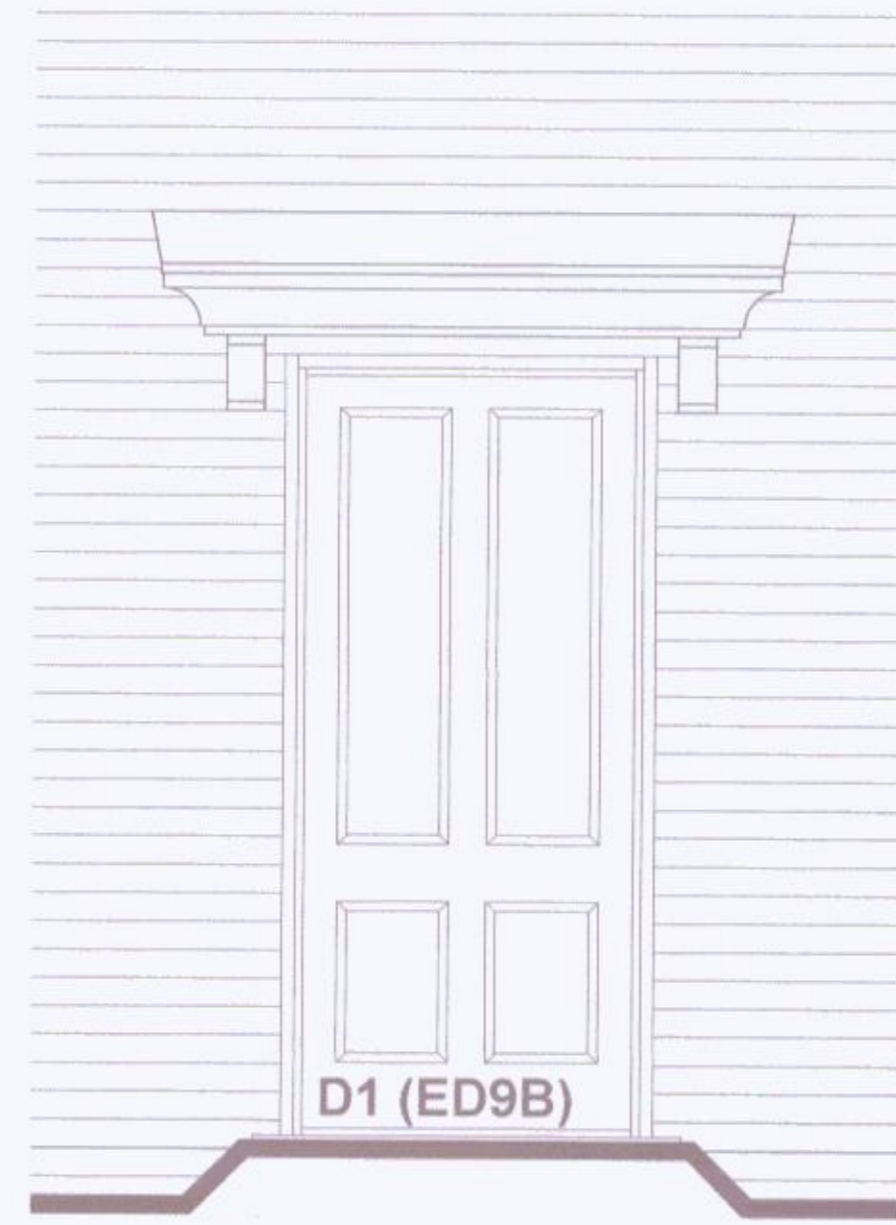
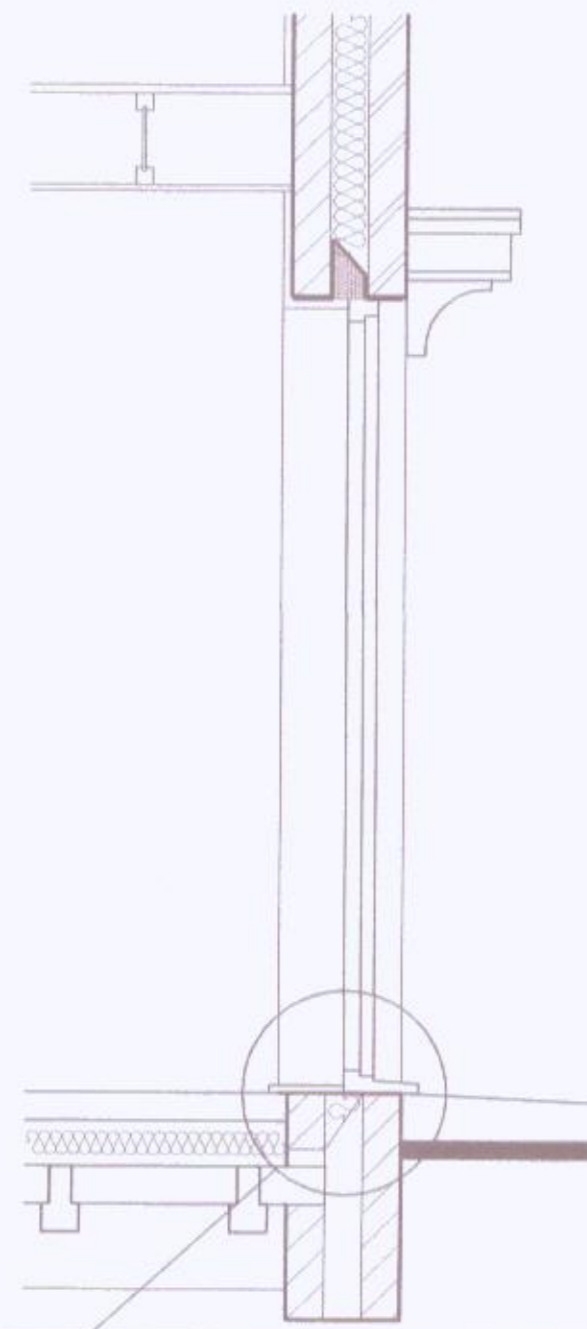
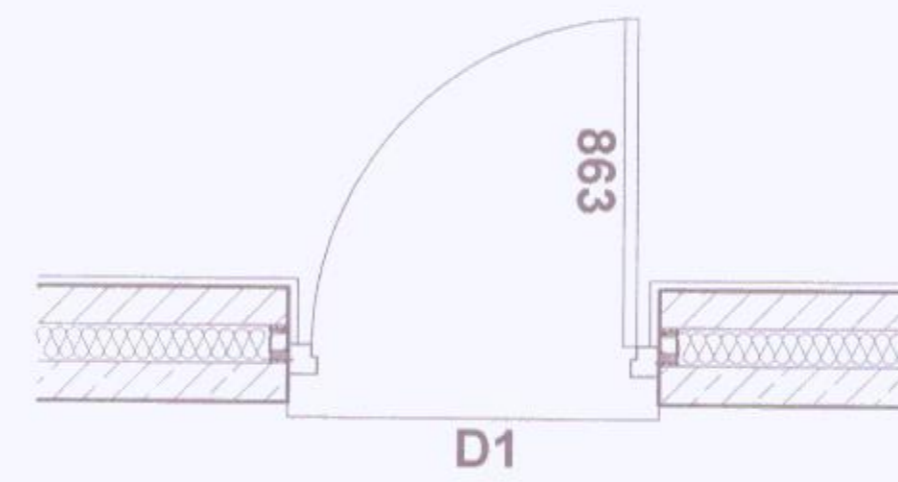


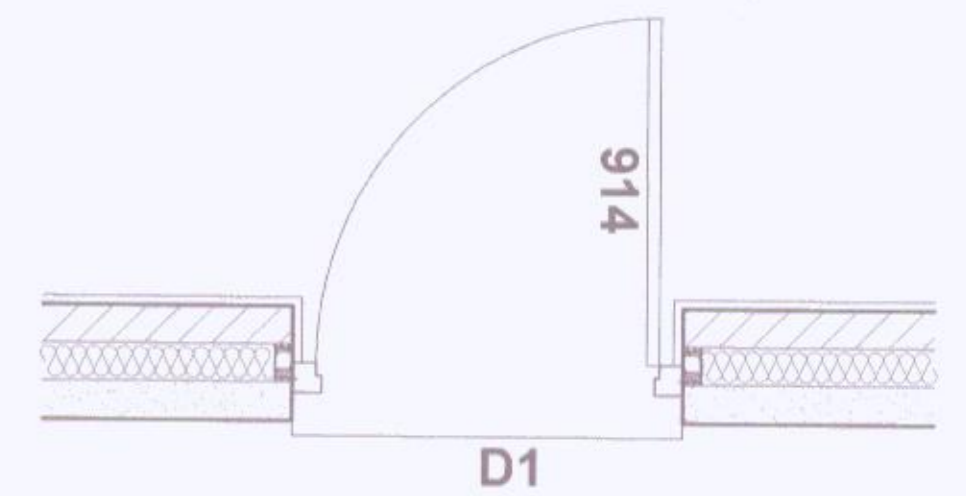
FRONT EXTERNAL DOORS



985 DOOR

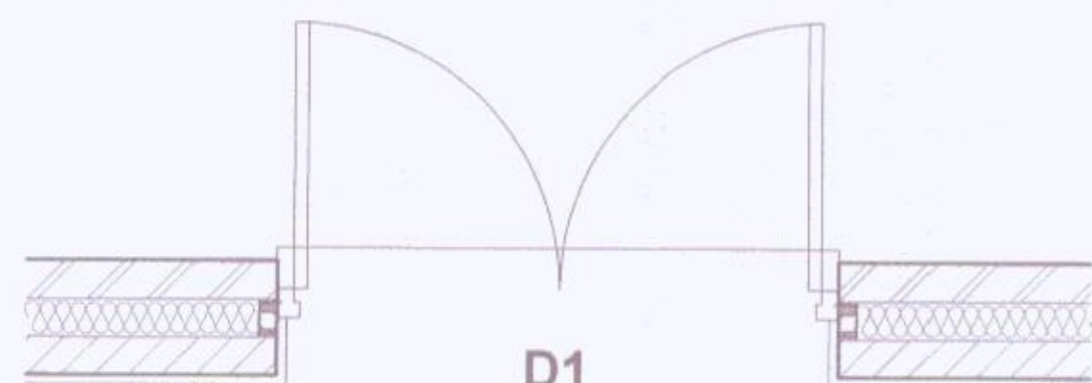
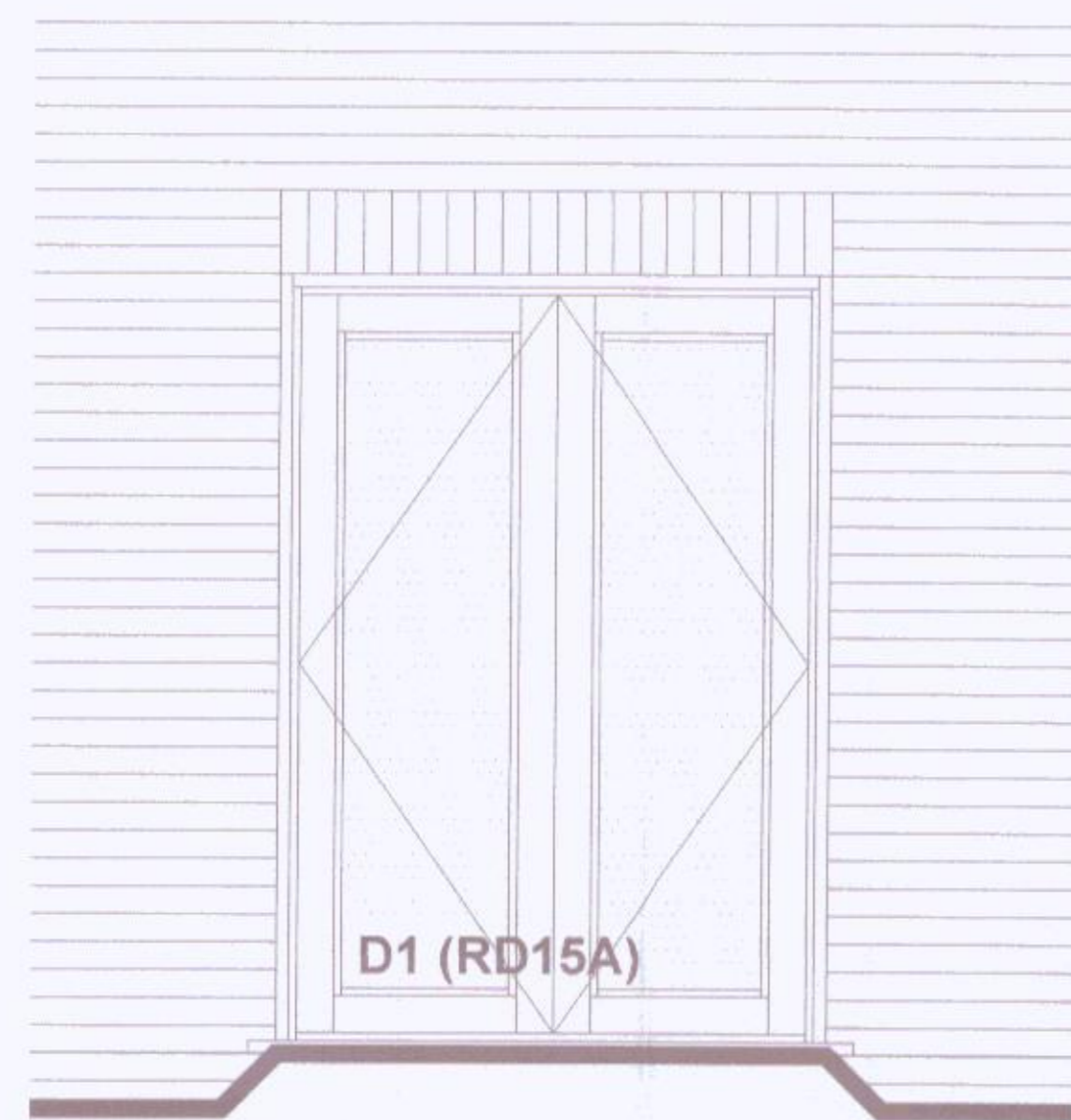
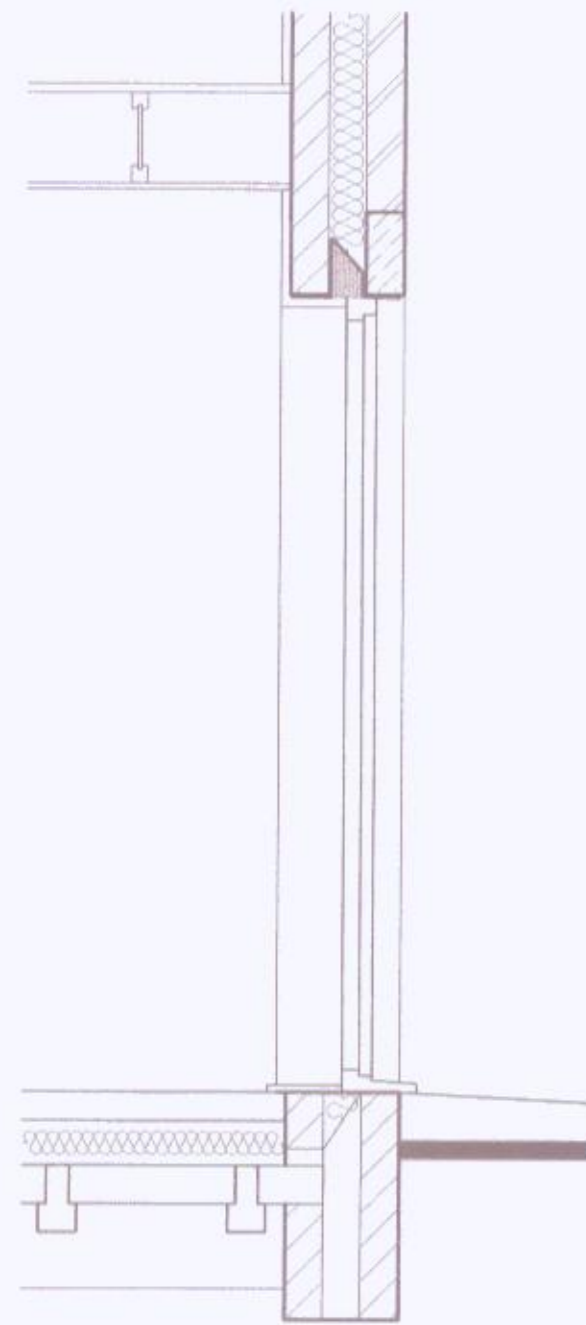


**985 DOOR WITH GLAZED
FANLIGHT**

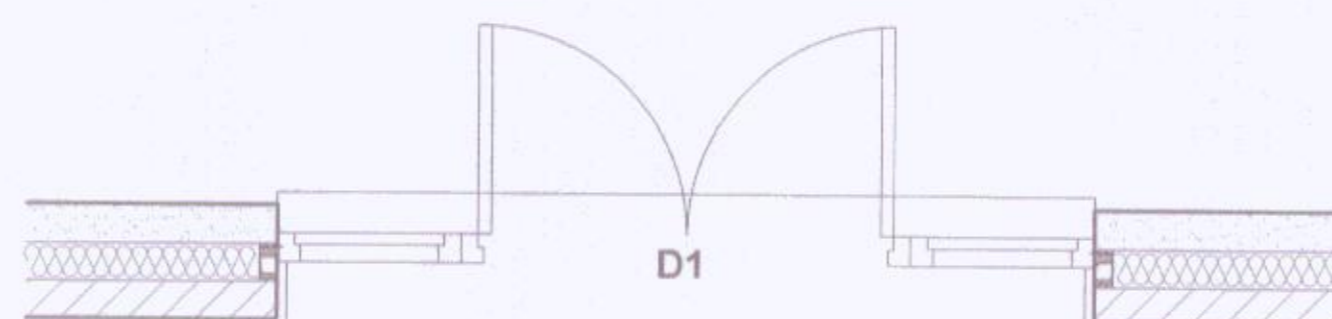
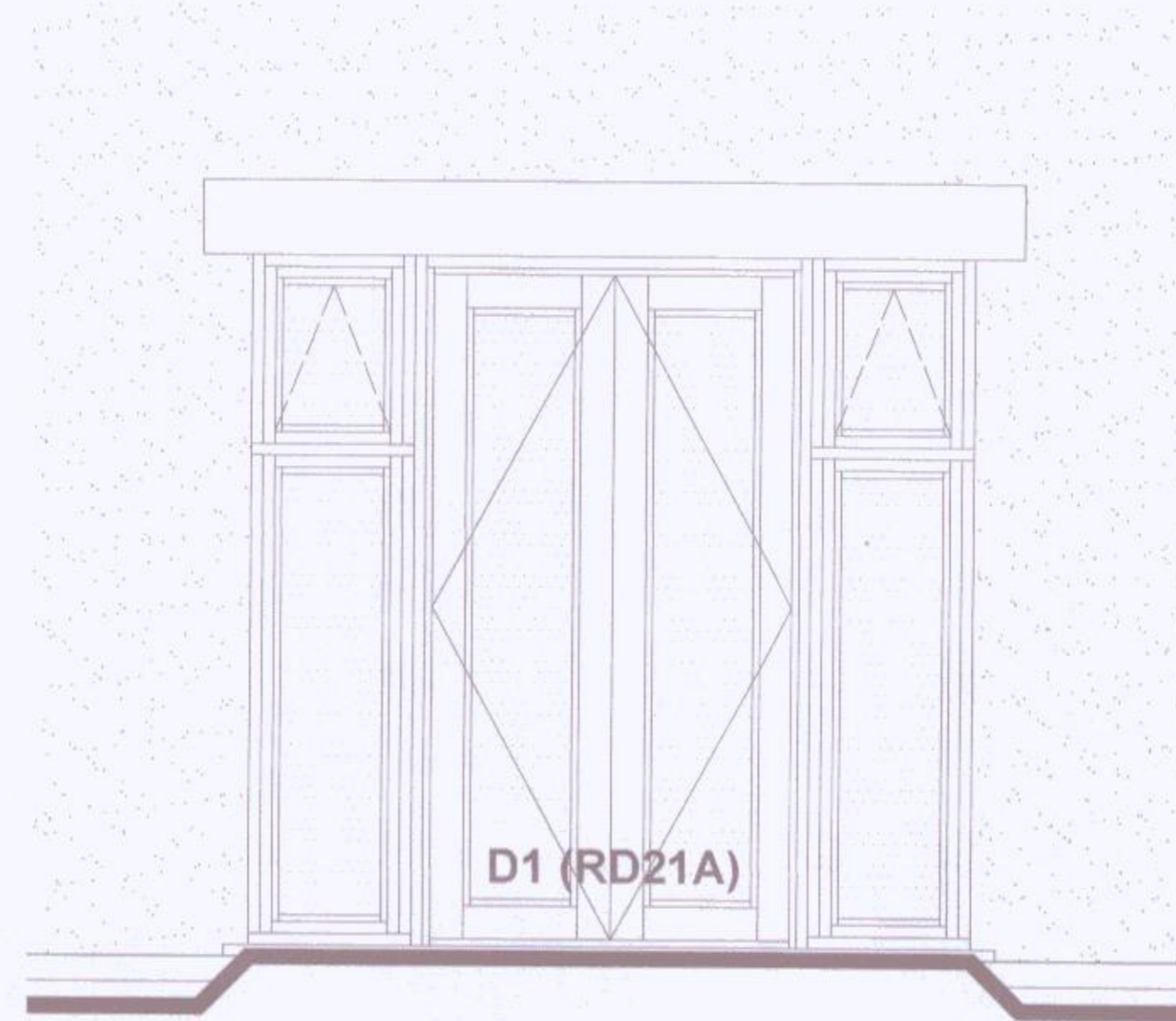


1037 DOOR

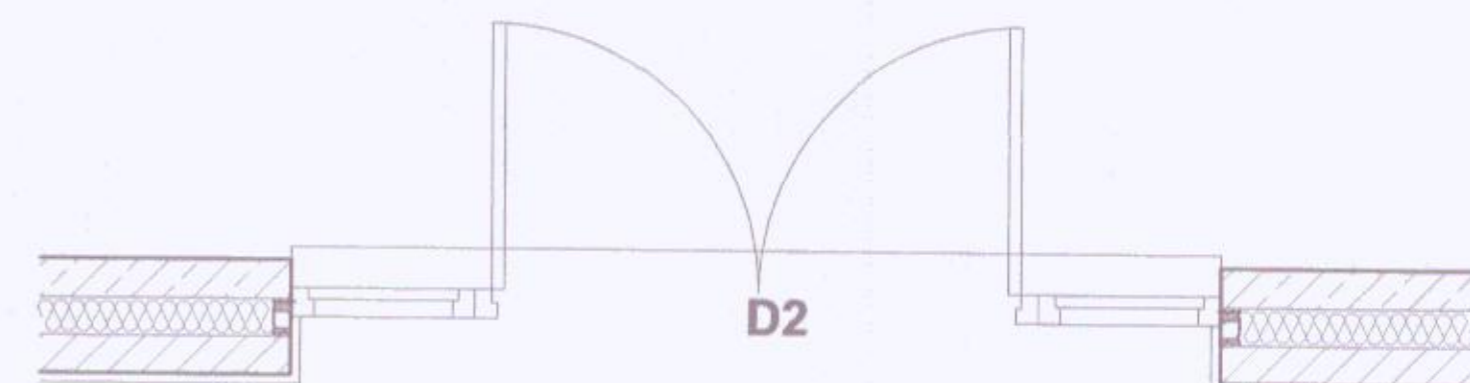
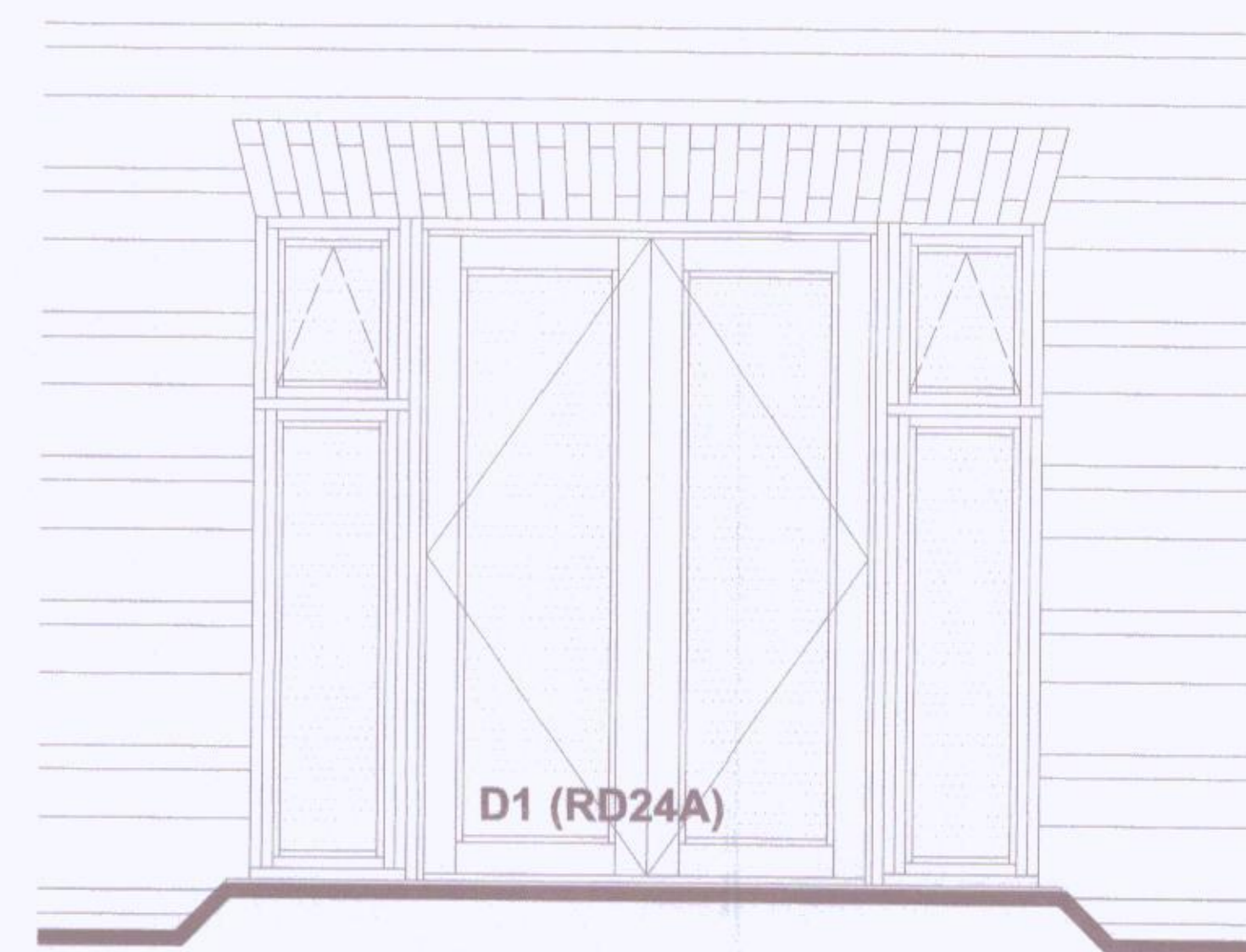
REAR EXTERNAL DOORS



1500 DOOR



2176 DOOR



2476 DOOR

NB: See housetype elevations for arrangement, specific material finishes, door and canopy styles, Heads and cills.

16/00504/Dis

Ref.	Date	Details

Bellway
BELLWAY HOMES NORTHERN-HOME-COUNTIES MILTON-KEYNES

Site Location: KINGSMERE KM5 & KM22
BICESTER
Drawing: EXTERNAL DOOR DETAILS

SHEET 6 of 7

Scale: 1:20	Date: 08.02.16
Drawing No: 113/1006	Rev: -
Drawn By: CDA	Checked By: CDA
Cad Ref:	

Carlton Design
Architecture Ltd
Architectural Consultants

7 The Old Dairy Buildings, Winkburn, Northumberland, NE22 9PQ
tel: 01663 686333 Fax: 01663 686333
E.MAIL: carlton.design@virgin.net