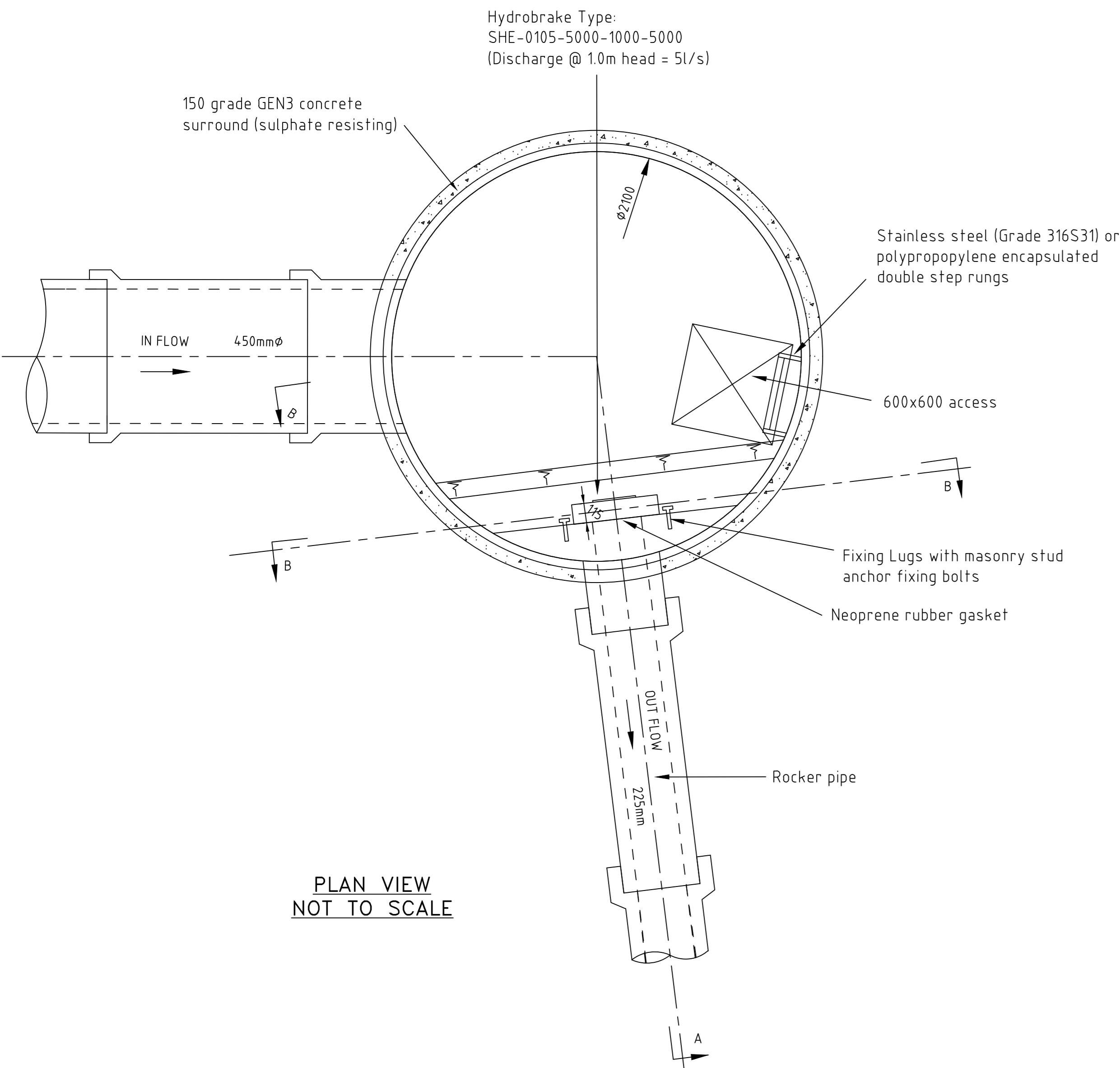


MANHOLE SCHEDULE  
HIGHWAY DRAIN

Manhole Number	Cover Level Depth To Soffit	Connections	Pipe			Manhole Size	Types	
			Code	Inverts	Diams Inv-soff		Manhole	Cover
S1	76.172		G	GULLY	75.090	1500	CATCHPIT TYPE C4	D400
	E. 456859.349 N. 222277.173		0	1.000	74.790			
S2	76.413		G	GULLY	74.954	1500	CATCHPIT TYPE C4	D400
	E. 456818.956 N. 222274.130		0	1.001	74.654			
S3	76.577		G	GULLY	74.863	1500	CATCHPIT TYPE C4	D400
	E. 456793.514 N. 222264.263		0	1.002	74.563			
S4	76.387		G	GULLY	74.534	1500	CATCHPIT TYPE C4	D400
	E. 456795.736 N. 222256.048		0	1.003	74.534			
S5	75.736		G	GULLY	74.312	2100	FLOW CONTROL CHAMBER	D400
	E. 456847.747 N. 222206.194		0	1.004	74.312			
S6	75.186		G	GULLY	74.096	1200	CATCHPIT TYPE C4	D400
	E. 456818.424 N. 222167.198		0	1.005	74.096			
S7	74.889		G	GULLY	74.010	1200	CATCHPIT TYPE C4	D400
	E. 456804.478 N. 222153.670		0	1.005	74.010			
S8	76.875		G	GULLY	75.017	1500	CATCHPIT TYPE C4	D400
	E. 456748.852 N. 222252.990		0	2.000	74.717			

FLOW CONTROL CHAMBER (S5)



MANHOLE SCHEDULE  
FOUL WATER (1 OF 3)

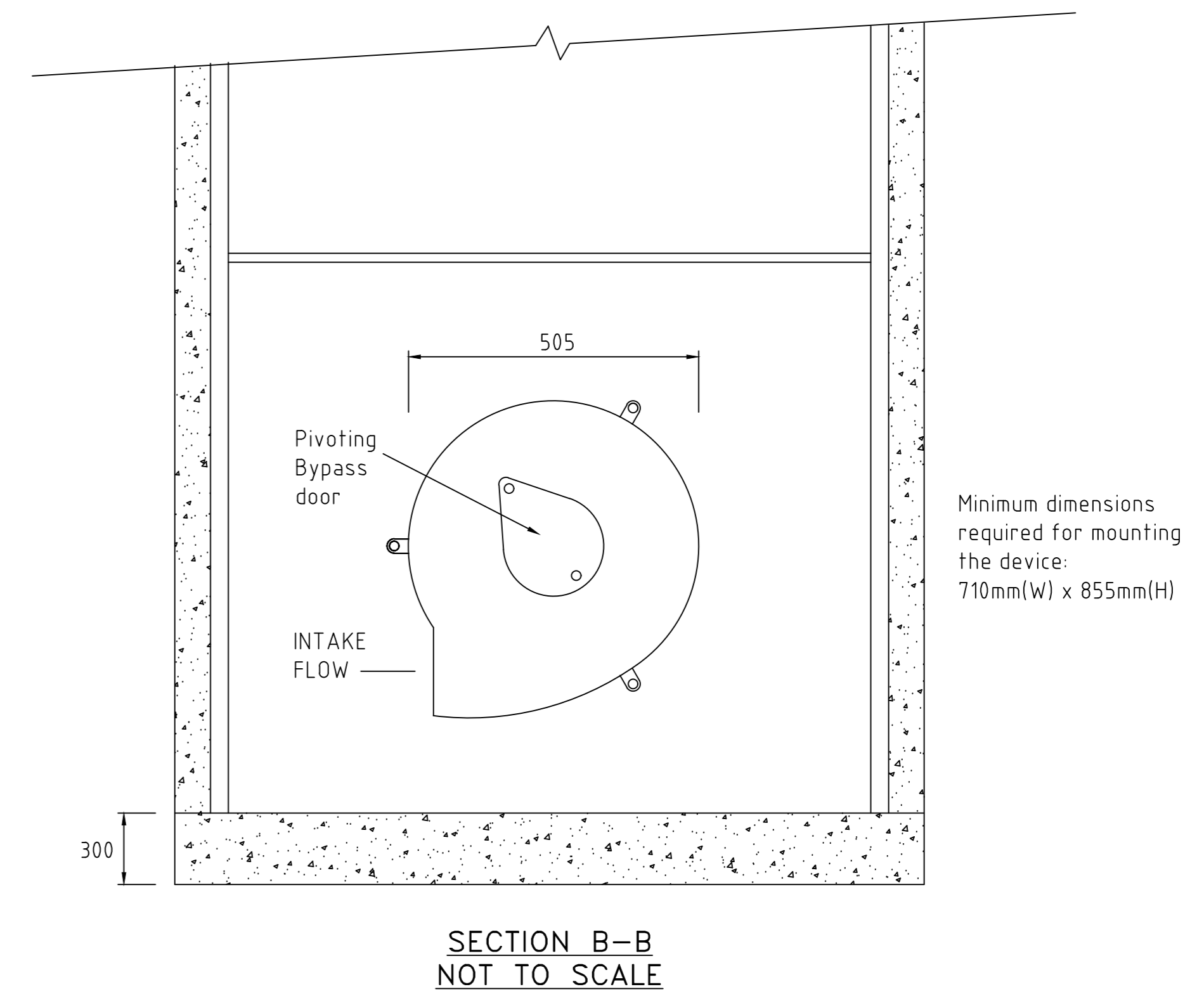
Manhole Number	Cover Level Depth To Soffit	Connections	Pipe			Manhole Size	Types	
			Code	Inverts	Diams Inv-soff		Manhole	Cover
F1	76.929		P	PRIVATE	74.880	1500	TYPE 2	D400
	E. 456740.376 N. 222254.420		0	1.000	74.880			
F2	76.601		P	PRIVATE	74.245	1500	TYPE 2	D400
	E. 456788.498 N. 222265.130		0	1.001	74.245			
F3	76.444		P	PRIVATE	74.164	1500	TYPE 2	D400
	E. 456793.355 N. 222255.431		0	1.002	74.164			
F4	76.013		P	PRIVATE	73.979	1500	TYPE 2	D400
	E. 456810.806 N. 222237.765		0	1.003	73.979			
F5	75.781		P	PRIVATE	73.633	1500	TYPE 2	D400
	E. 456844.461 N. 222205.766		0	1.004	73.633			
F6	75.314		P	PRIVATE	73.260	1500	TYPE 2	D400
	E. 456871.410 N. 222188.383		0	1.005	73.260			
F7	74.814		P	PRIVATE	72.927	1500	TYPE 2	D400
	E. 456888.944 N. 222168.343		0	1.006	72.927			
F8	74.653		P	PRIVATE	72.681	1500	TYPE 2	D400
	E. 456913.358 N. 222150.588		0	1.007	72.681			
F9	74.537		P	PRIVATE	72.502	1500	TYPE 2	D400
	E. 456935.947 N. 222136.203		0	1.008	72.502			
F10	74.394		P	PRIVATE	72.347	1500	TYPE 2	D400
	E. 456955.455 N. 222123.780		0	1.009	72.347			

MANHOLE SCHEDULE  
FOUL WATER (2 OF 3)

Manhole Number	Cover Level Depth To Soffit	Connections	Pipe			Manhole Size	Types	
			Code	Inverts	Diams Inv-soff		Manhole	Cover
F11	74.229		P	PRIVATE	72.228	1500	TYPE 2	D400
	E. 456966.903 N. 222110.214		0	1.010	72.228			
F12	74.302		P	PRIVATE	72.030	1500	TYPE 2	D400
	E. 456942.603 N. 222093.226		0	1.011	72.030			
F13	74.279		P	PRIVATE	71.711	1500	TYPE 2	D400
	E. 456894.904 N. 222091.848		0	1.012	71.711			
F14	74.005		P	PRIVATE	71.556	1500	TYPE 2	D400
	E. 456895.424 N. 222068.698		0	1.013	71.556			
F15	74.259		P	PRIVATE	71.360	1500	TYPE 2	D400
	E. 456896.058 N. 222040.953		0	1.013	71.360			
F16	75.767		P	PRIVATE	74.200	1500	TYPE 2	D400
	E. 456899.545 N. 222253.154		0	2.000	74.200			
F17	75.571		P	PRIVATE	73.999	1500	TYPE 2	D400
	E. 456891.288 N. 222237.153		0	2.001	73.999			
F18	75.222		P	PRIVATE	73.727	1500	TYPE 2	D400
	E. 456921.061 N. 222215.938		0	2.002	73.727			
F19	74.893		P	PRIVATE	73.065	1500	TYPE 2	D400
	E. 456946.446 N. 222197.637		0	2.003	73.065			
F20	74.911		P	PRIVATE	72.800	1500	TYPE 2	D400
	E. 456923.411 N. 222165.283		0	2.004	72.800			

MANHOLE SCHEDULE  
FOUL WATER (3 OF 3)

Manhole Number	Cover Level Depth To Soffit	Connections	Pipe			Manhole Size	Types	
			Code	Inverts	Diams Inv-soff		Manhole	Cover
F21	74.973		P	PRIVATE	73.499	1500	TYPE 2	D400
	E. 456998.195 N. 222162.284		0	3.000	73.499			
F22	74.765		P	PRIVATE	73.248	1500	TYPE 2	D400
	E. 456968.750 N. 222181.787		0	3.001	73.248			
F23	75.734		P	PRIVATE	74.048	1500	TYPE 2	D400
	E. 456780.812 N. 222207.237		0	4.000	74.048			
F24	75.542		P	PRIVATE	73.763	1500	TYPE 2	D400
	E. 456763.675 N. 222192.206		0	4.001	73.763			
F25	75.162		P	PRIVATE	73.508	1500	TYPE 2	D400
	E. 456780.986 N. 222173.418		0	4.002	73.508			
F26	74.862		P	PRIVATE	73.088	1500	TYPE 2	D400
	E. 456800.380 N. 222152.443		0	4.003	73.088			
F27	74.681		P	PRIVATE	72.946	1500	TYPE 2	D400
	E. 456813.423 N. 222138.679		0	4.004	72.946			
F28	74.448		P	PRIVATE	72.708	1500	TYPE 2	D400
	E. 456836.802 N. 222117.019		0	4.005	72.708			
F29	74.130		P	PRIVATE	72.365	1500	TYPE 2	D400
	E. 456858.658 N. 222090.720		0	4.006	72.365			
F30	75.217		P	PRIVATE	73.400	1500	TYPE 2	D400
	E. 456817.823 N. 222169.873		0	5.000	73.400			
F31	74.725		P	PRIVATE	73.068	1500	TYPE 2	D400
	E. 456872.154 N. 222149.681		0	6.000	73.068			
F32	74.607		P	PRIVATE	72.901	1500	TYPE 2	D400
	E. 456855.748 N. 222134.524		0	6.001	72.901			



© 2012 RPS Group  
Notes  
1. This drawing has been prepared in accordance with the scope of RPS's appointment with its client and is subject to the terms and conditions of that appointment. RPS accepts no liability for any use of this document other than by its client and only for the purposes for which it was prepared and provided.  
2. If copied electronically it is the recipient's responsibility to print to correct scale. Only written dimensions should be used.  
3. This drawing should be read in conjunction with all other relevant drawings and specifications.  
Adoptable Drainage Notes:  
1. Details and Specifications are to be in accordance with 'Sewers for Adoption 7th Edition', Highway Drain to be in accordance with OCC Standard Details.  
2. Manhole covers and frames to be ductile iron heavy duty to BS EN 124 D400. Type 1 and 2 manholes to have ductile iron covers 600 x 600 opening. Covers to be bedded on class M1, M2 or epoxy mortar. All manhole covers to be non-slip and to be marked SW or FW as appropriate, clearly readable and site marked. Private manhole covers not to be bagged. The minimum frame depth shall be 100mm and in situations where traffic loading is anticipated to be heavier than on typical residential estate cut-decks the frame depth shall be increased to 150mm and a highway specification (Element M1 Heavy) used. Where block paving is used the depth of the frame shall be 100mm.  
3. All pipes to enter manholes with soffits level. All pipes to enter flow control chambers with inverts level.  
4. Exposed reinforcing steel in out pipes to be painted with Mucosal or similar approved.  
5. Trench backfill, Type B material is to be Type 1 granular backfill under adoptable paved areas or within 45° envelope of the kerb foundation.  
6. Brick arches in brickwork manholes are required for pipes 225 dia. and greater.  
7. Brickwork to be corbelled a maximum of 30mm per course.  
8. Instead of corbels to brickwork manholes, a heavy duty precast or in situ concrete cover slab may be used with cover and frame on one or two courses of engineering brickwork (Class B).  
9. Minimum 150 step between joints in precast concrete ring and in situ concrete surround. Maximum in situ concrete pour height - 2000.  
10. Substrate resting concrete shall be in accordance with BRE Special Digest 1, parts 1 - 4.  
11. All pipes entering manholes to be a minimum of 150 dia.  
12. In situ concrete grade to be in accordance with BS 8000 and BS EN 206 Part 1.  
13. Concrete pipes and fittings to be in accordance with BS EN 1916 and BS EN 1917. Clay pipes to be in accordance with BS EN 295. Plastic pipes not permitted.

P4 Private and gully connections added to manhole schedules. Manholes updated to be Type 2 and D400 except F25 in landscaped area with B125 cover. JB KMc: 01.09.16  
P3 F8-F20 invert levels updated. F21 amended to Type 3. Manholes S7 and F10 amended to show outfall details. JB KMc: 25.08.16  
P2 Manholes updated to Sewers for Adoption 7th Edition (Foul) and OCC Standard Details (Highway Drain). JB KMc: 16.08.16  
P1 FIRST ISSUE JB KMc: 25.07.16

**RPS**  
RPS Group  
Capital Drive, Lifford Wood, Milton Keynes MK14 6DP  
T: +44 (0)1908 686658 E: rps@rpsgroup.com F: +44 (0)1908 686899

Client **Bellway**

Project **Kingsmere, Bicoster  
KMS & KM22**

Title **Manhole Schedules and  
Flow Control Chamber Details**

Status Preliminary Scale NTS @A0 Date Created 25.07.2016  
Project Leader Drawn By Checked by  
KMc JB KMc

Drawing Number **JKK8310 \_113** Rev **P4**

rpsgroup.com