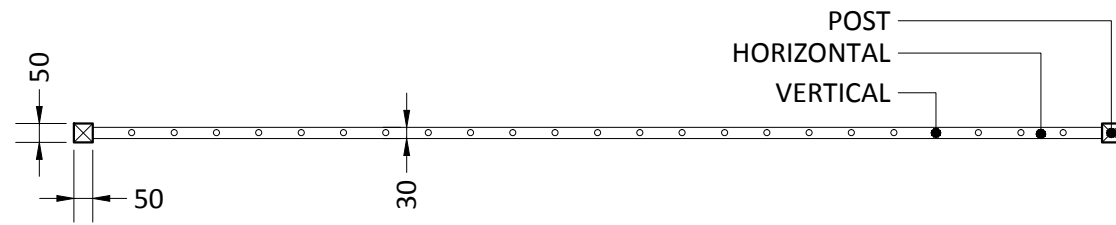
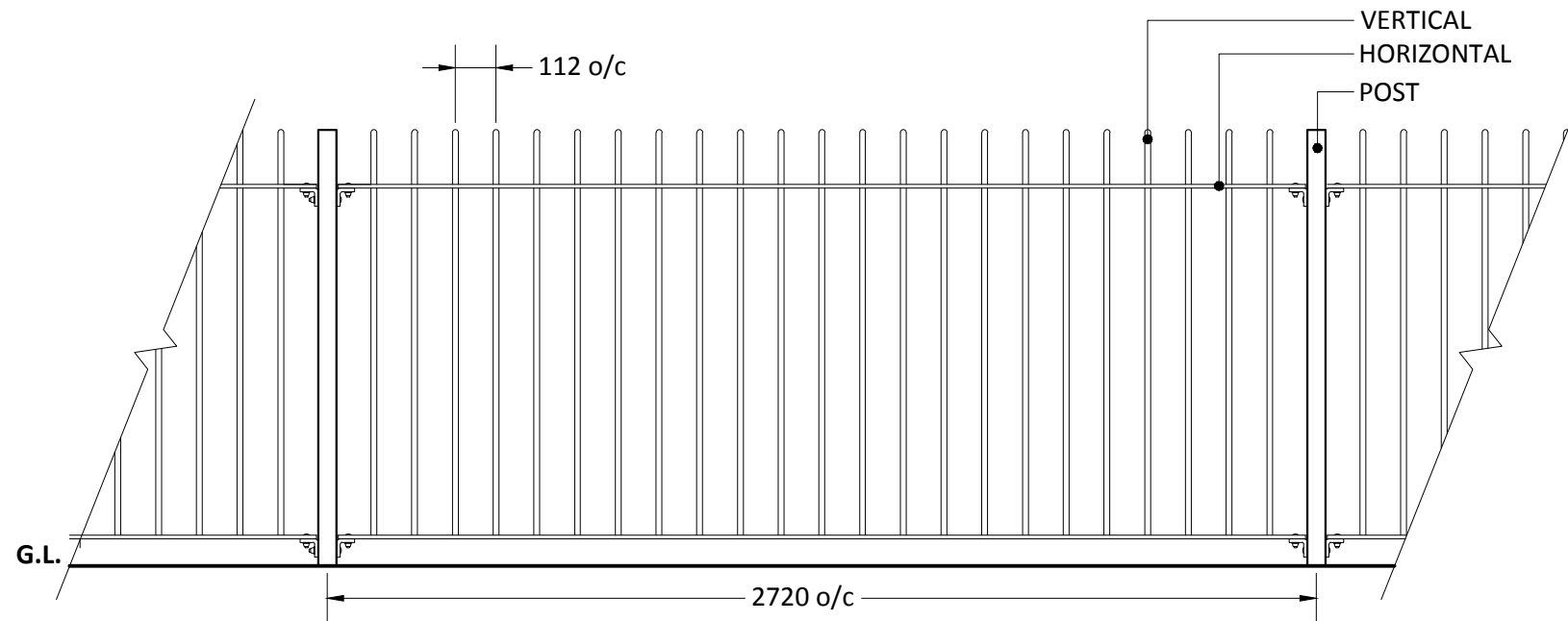


Z:\Management\2226\DA CAD\Local Centre\2226 - LC - D003A - 1.2m Vertical Bar Railing.dwg
 Drawn by RW & Checked by KA
 ©David Jarvis Associates 2015

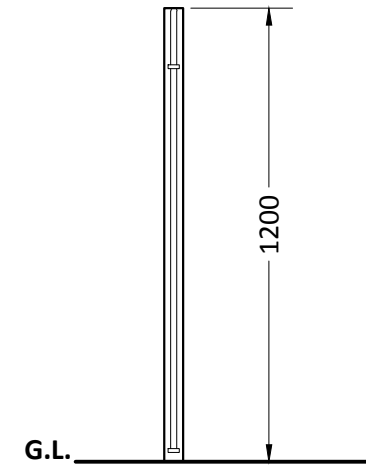
PLAN VIEW



SECTION ELEVATION

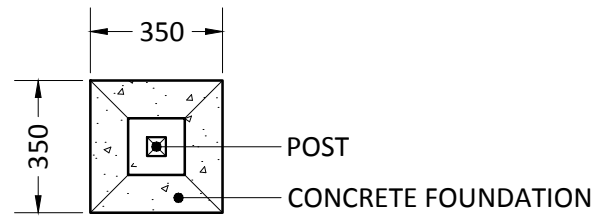


END ELEVATION

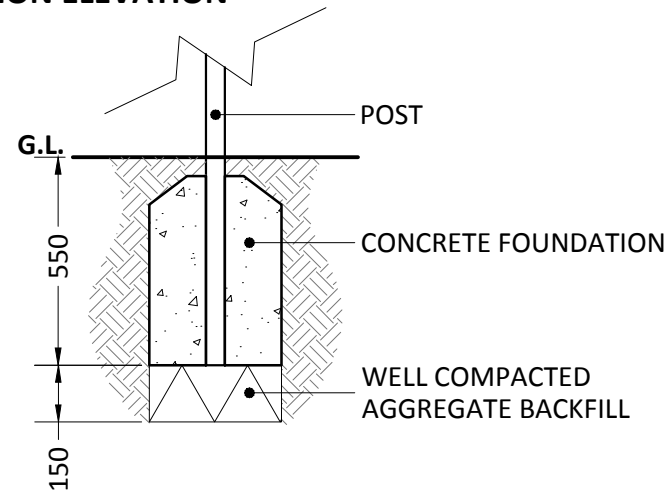


CONCRETE FOUNDATIONS

PLAN VIEW



SECTION ELEVATION



VERTICAL BAR FENCING NOTES

- MANUFACTURER:** Gramm (or Equal & Approved)
- TYPE:** StyleGuard-VB
- HEIGHT:** 1200mm
- POSTS:** 50x50x3mm SHS, welded steel cap
- POST CENTRES:** 2.72m
- HORIZONTAL RAILS:** 30x10mm Flat Bar
- VERTICAL BAR:** 16mm Ø, solid, domed top
- STANDARD:** BS 1772-9 (2006) Fences. Specification for mild steel (low carbon steel) fences with round or square verticals and flat horizontals.
- FOUNDATION:** TYPE ST2 CONCRETE, 550mm embedment as per Manufacturer's recommendations.
- FINISH:** Hot dip galvanized to BS EN ISO 1461, Etching Primer, two pack Epoxy Paint. Jet Black gloss Finish (RAL 9005).

Notes

Issue: Drawn by David Jarvis Associates Limited | CROWN COPYRIGHT. ALL RIGHTS RESERVED 2015
 LICENCE NUMBER 0100031. This drawing is for Planning purposes only and should be read in conjunction with all other consultants drawings for information on final construction requirements. Any revisions to be approved by the Client and Local Authority.
 Scaling: Do not scale this drawing. Use given dimensions only.
 Services / Utilities: Where possible these are identified on the drawings but, for the avoidance of doubt all service/utility locations should be considered indicative until identified on site. To ensure those services / utilities shown are current refer to the original survey provider or utilities designer and Countryside Properties (Bicester) Ltd. for confirmation and further information regarding easements. It is recommended that hazard warning tape 'danger electric cable / danger services' to be installed over all service routes (to remain on site) to current BS guidelines (BS 7671).
 CDM: Drawings to be read in conjunction with Designers risk assessment.

Drawing Revision

Rev	Date	Description
A	12/11/2015	Client name change.
-	25/09/2015	First Issue.

Drawing Status

PLANNING

DAVID JARVIS ASSOCIATES

DAVID JARVIS ASSOCIATES LIMITED
 1 Tennyson Street Swindon Wiltshire SN1 5DT
 Tel: 01793 612173 Fax: 01793 613625
 Email: mail@davidjarvis.biz

Client
COUNTRYSIDE PROPERTIES (BICESTER) LTD.

Project
KINGSMERE, PHASE 1 LOCAL CENTRE

Drawing Title
DETAILS - BOUNDARY TREATMENTS 1.2m VERTICAL BAR RAILING

Scale 1:20	Sheet Size A3	Date JULY 2015
----------------------	-------------------------	--------------------------

Drawing No. 2226/LC/D003	Revision A
------------------------------------	----------------------

