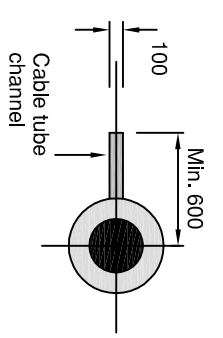
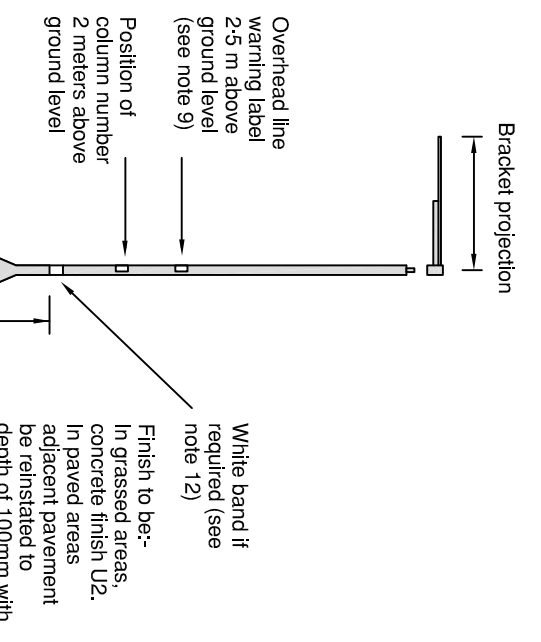
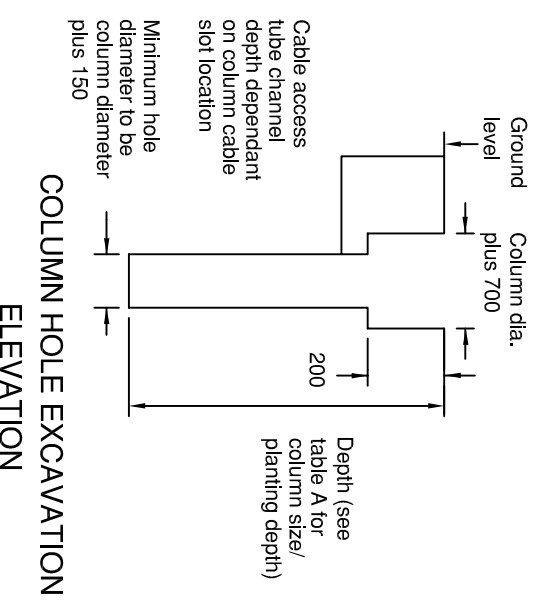


**Notes**

1. All dimensions are in millimetres unless shown otherwise.
2. For details of locations of street lighting columns, see street lighting layout drawings and schedules.
3. The shaft shall be left for 48 hours before the bracket arm is attached to the shaft.
4. All columns shall be numbered at the time of erection in 50mm high black figure(s) on a white background. Paint used for numbering and background shall be high gloss to BS 4800. Alternative a self adhesive label manufactured by BRADY B-580 (outdoor marking vinyl film in high gloss with permanent adhesive) or equivalent. Numbers are applied 2m above ground level, and shall face the carriageway.
5. Galvanised columns:- An area shall be treated with an approved etch primer before applying the white background.
6. Lantern grub screws shall where indicated by the manufacture be tightened to the correct torque setting with an approved torque wrench.
7. All column bracket arm grub screws shall have a 'baked on' nylon patch.
8. Standard concrete mixes shall comply with clause 2602.
9. Columns situated within 20 metres of LV overhead power lines to have warning lables fitted complying to BS 5378 part 1 'Danger overhead live wires' (for details see HSD/13/045).
10. Columns situated in close proximity or directly below HV overhead power lines to have warning lables fitted see HSD 13/046 & 13/047.
11. For wiring details see HSD 14/045.
12. Where a post is more than 0.3m from back edge and within 0.3m of a footway a white band of non-reflective self-adhesive premium vinyl tape (3M 100-10 or equivalent) shall be applied. Band width 200mm :-  
25mm black, 150mm white, 25mm black. Height of lower edge above ground 1400mm min. to 1600mm max.



**PLAN**

**OCTAGONAL COLUMN**

**TABLE A**  
**TUBULAR COLUMN**

Column height in m.	Planting depth in m.
12	1.70
10	1.50
8	1.20
6	1.00
5	0.80

**TABLE B**  
**OCTAGONAL COLUMN**

Column height in m.	Planting depth in m.
15	2.00
12	1.70
10	1.50
8	1.20
6	1.00
5	0.80

**ERECTED STREET LIGHTING COLUMN**

**STREET LIGHTING COLUMNS : Column details**

ILLUMINATED SIGNS AND STREET LIGHTING		Scale	Initials		Date		Drawing No.	Category
Not to Scale							HSD/13/005K	1
Drawn	Traced							
Checked								