

PLAN VIEW WITH CANOPY HIDDEN
1:20

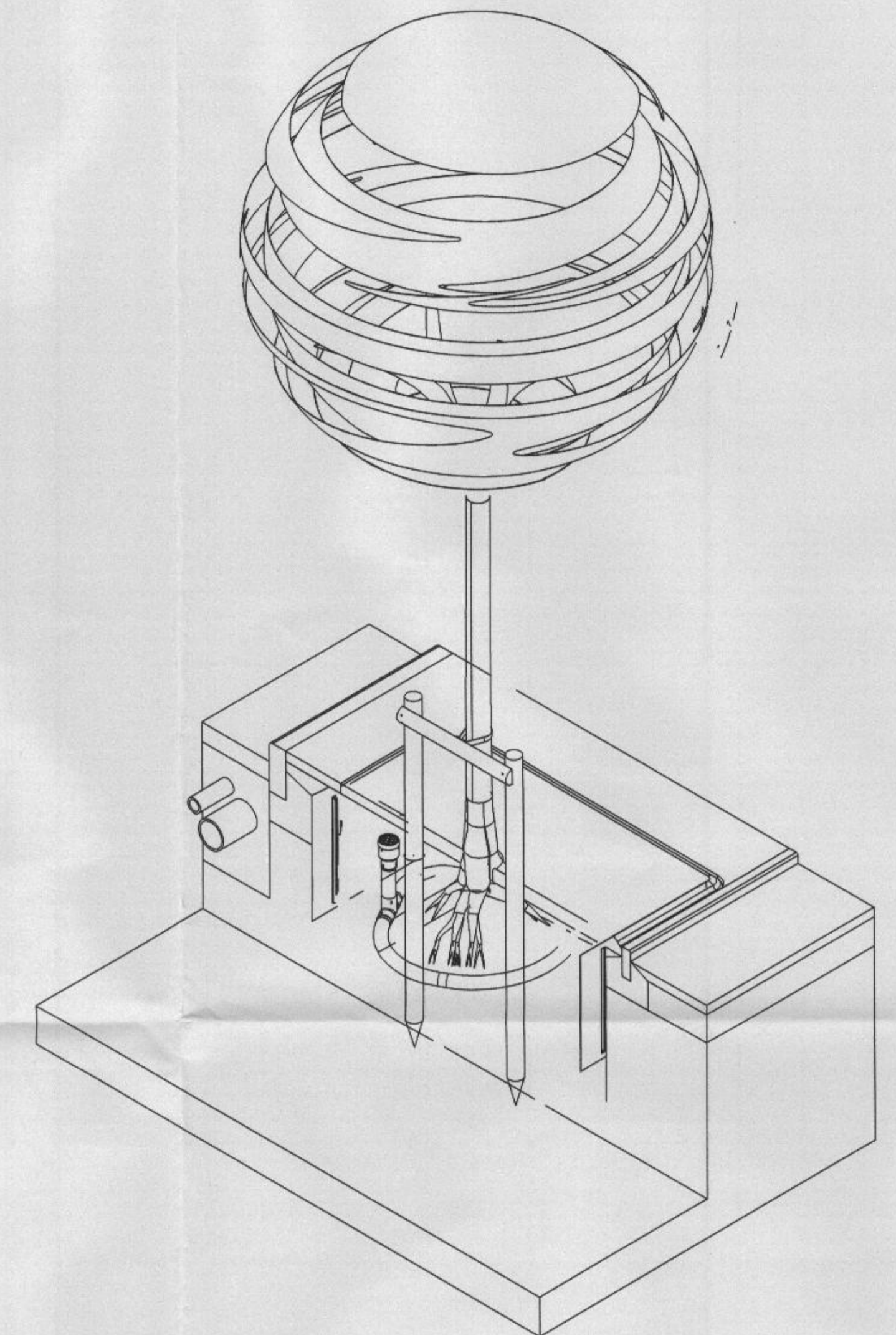
Package includes:

RRURB1A RootRain Urban aeration/irrigation system

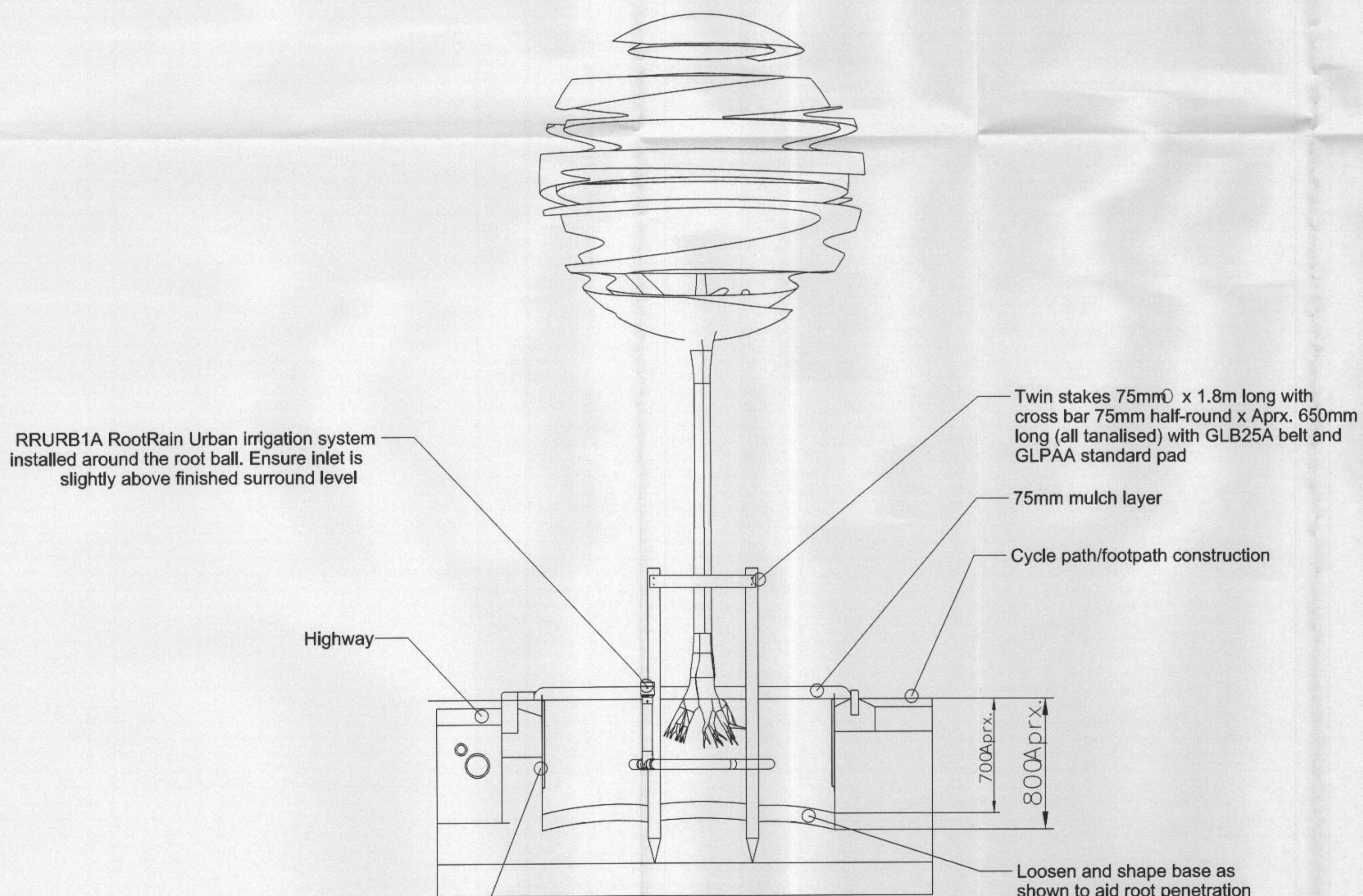
RER600A ReRoot 600 ribbed root barrier will be used to protect walls and highway
RERJTA ReRoot joint tape - 1 roll

GLB25A belt

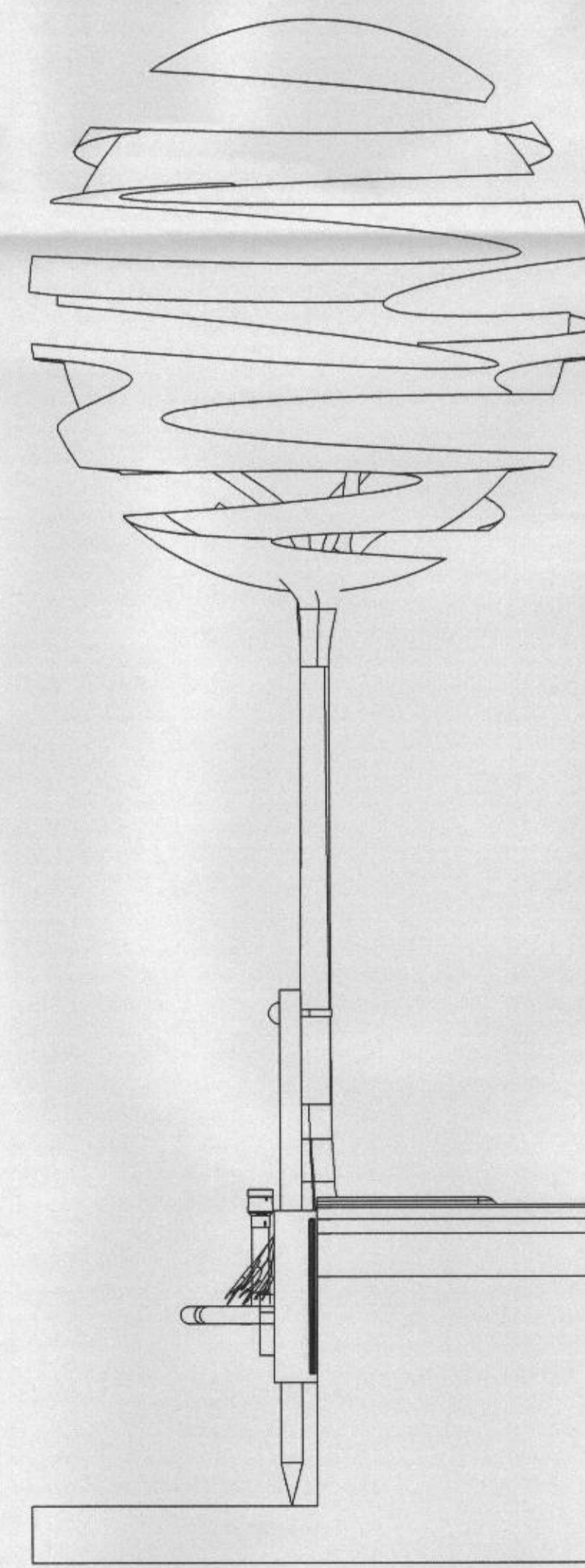
GLPAA standard spacer pad



ISOMETRIC VIEW WITH CUT-AWAY TO SHOW PRODUCTS
1:20



FRONT VIEW
1:20



SIDE VIEW
1:20

Rev	Date	Details	By
Drainage Authority Approval Date _____			
Highway Authority Approval Date _____			

Do not scale from this drawing. Use written dimensions only. When shown relationships between slab levels and ground levels are to be checked on site. Any discrepancy or suggested modification to be reported to Design and Engineering Director.
Note: This drawing is the copyright of Bovis Homes Ltd.

BOVIS HOMES
Bovis Homes Central Region
Bronwich Court
Highway Point
Gorsey Lane
Coleshill
B46 1JU
Tel: 01675 437 000
Fax: 01675 437 094
DX: 728340 Coleshill 2

SITE: **KINGSMERE BICESTER**

DRAWING TITLE: **KM 4 Tree Pit details, Soft Landscaped**

DRAWN BY: DW	DATE: 12.11.14	DRAWING NO.:	REV:
SCALE: 1:20 @ A1	CHECKED/DATE:	KM4-105	