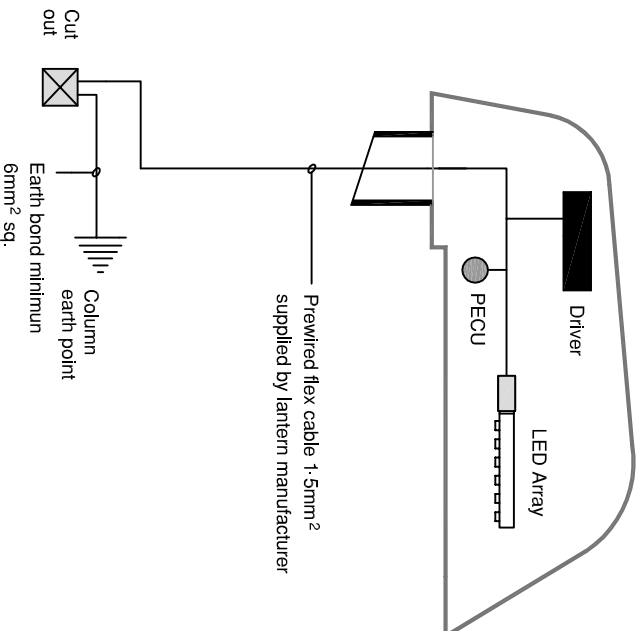


Notes

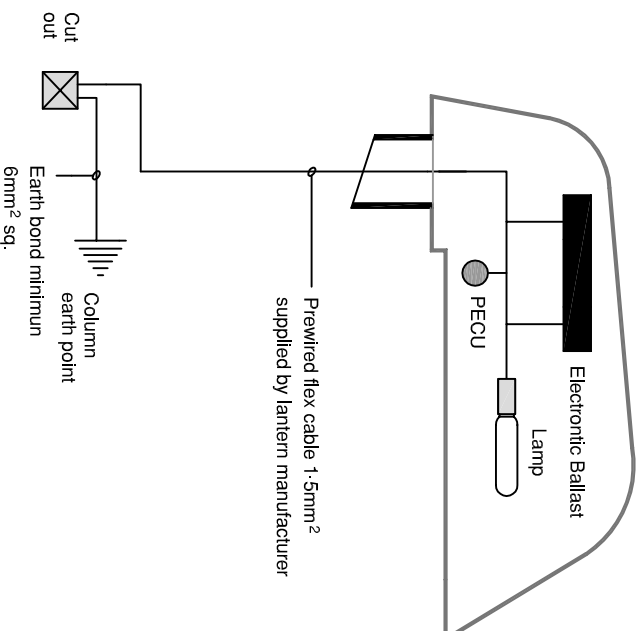
1. All dimensions are in millimetres unless shown otherwise.
2. The wiring in the base compartment shall be neatly cleated to one side of the base board with sufficient tail length to connect into cut out.
3. All apparatus shall be securely fixed at all designated points to a back board or housing by stainless steel screws. All earth connections shall be by bolted crimped terminations.
4. All lanterns to be prewired by manufacturer using 3 core flex cable 1.5mm².

Lantern head LED



(a) LANTERN WITH INTEGRAL GEAR AND ONE
PIECE PHOTO DRIVER CONTROLLER UNIT LED

Lantern head SON / CPO



(b) LANTERN WITH INTEGRAL GEAR AND ONE
PIECE PHOTO ELECTRIC CONTROLLER UNIT CPO

STREET LIGHTING COLUMN WIRING : Types (a) to (b)

ILLUMINATED SIGNS AND
STREET LIGHTING

Scale	Drawn	Traced	Checked	Initials	Date
Not to Scale					

Index	Date
e	01.14
d	03.07
c	06.99
b	03.97
a	08.93

Drawing No. **HSD/14/045e** Category **1**