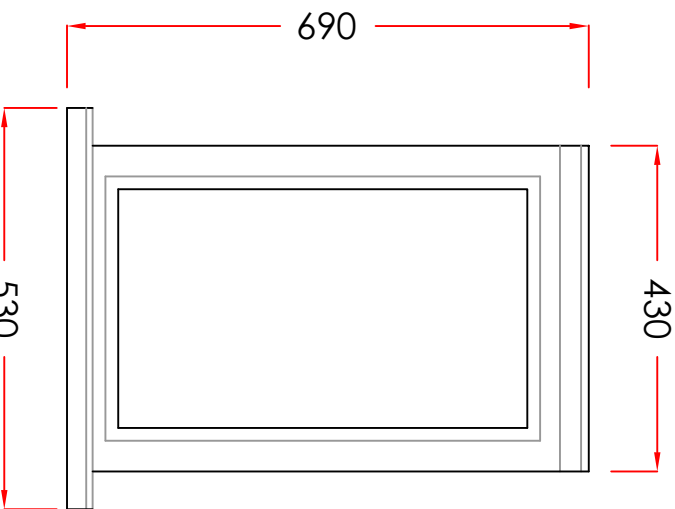
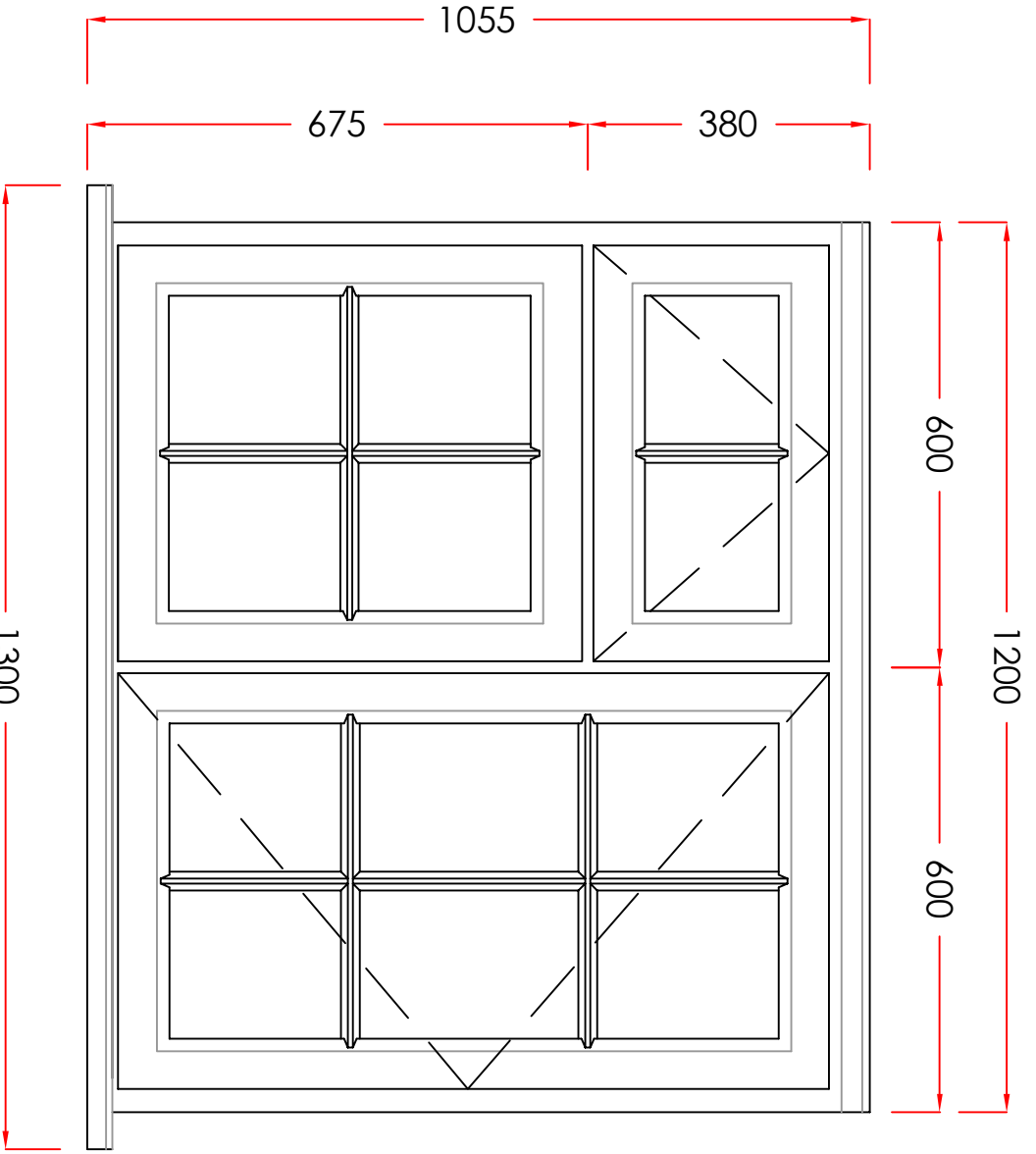


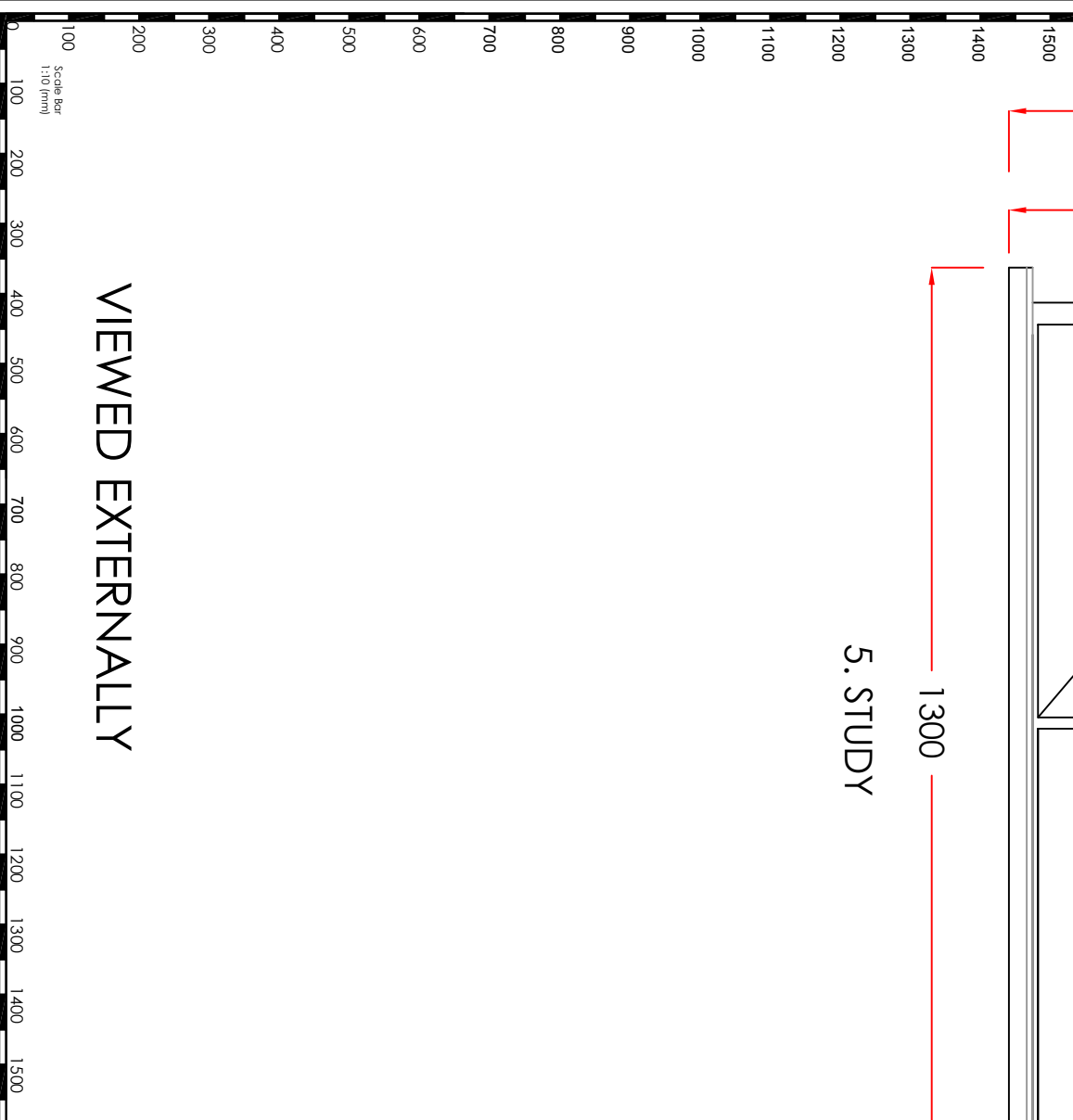
5. STUDY



7. TOP BEDROOM



6. BATHROOM



VIEWED EXTERNALLY

Scale - 1:10

(Produced on A3 Paper)

Sheet 3 Of 5

Drawers Initials:
SF

CONTRACT No.: 30100323

date: 19/05/2015

PROPOSED: WINDOW REPLACEMENT

AT: WILLOW COTTAGE

(INSTALLATION ADDRESS)
WENDLEBURY

BICESTER

OXFORDSHIRE, OX25 2PW

FOR: MR D MCCAULEY

