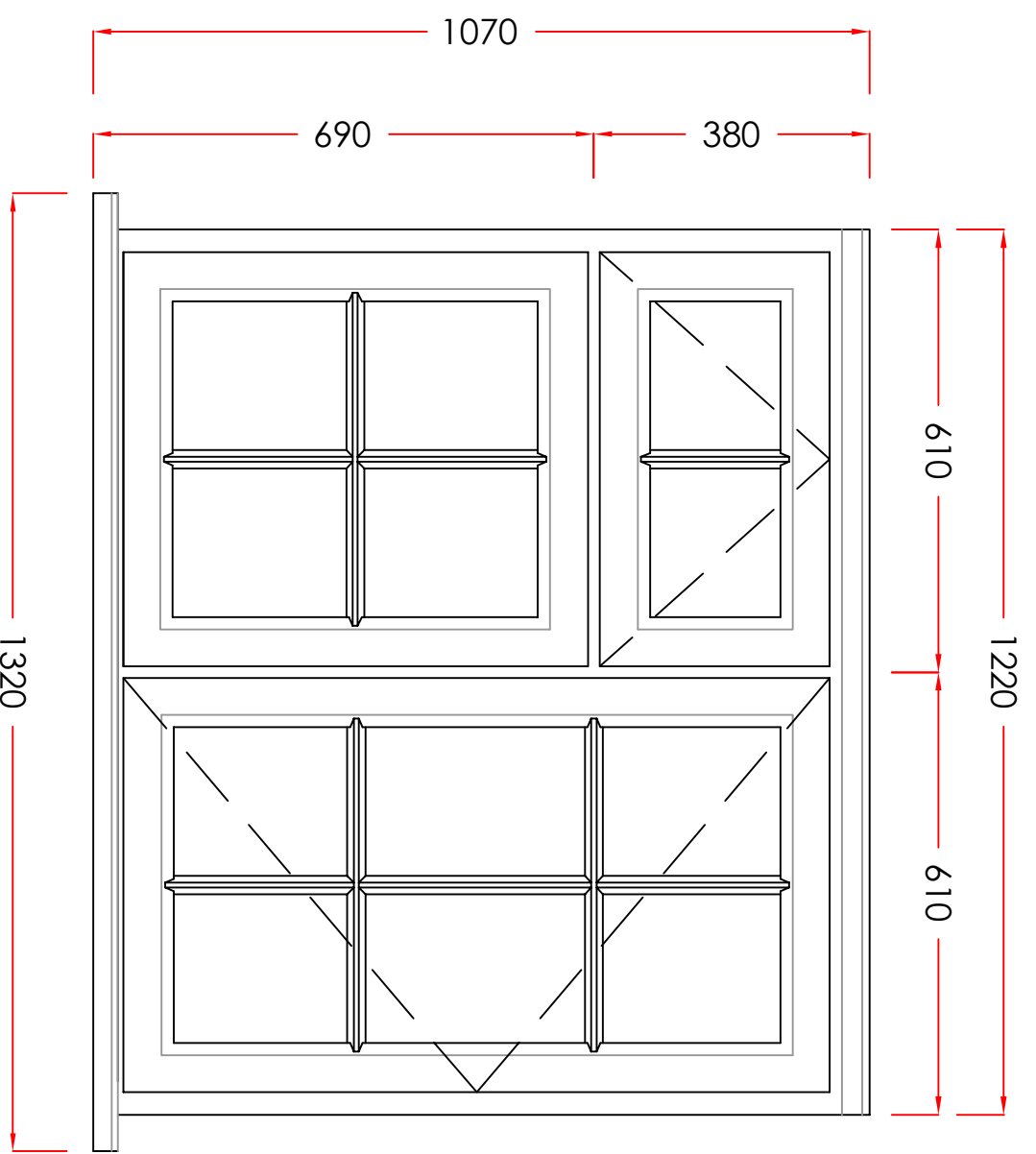
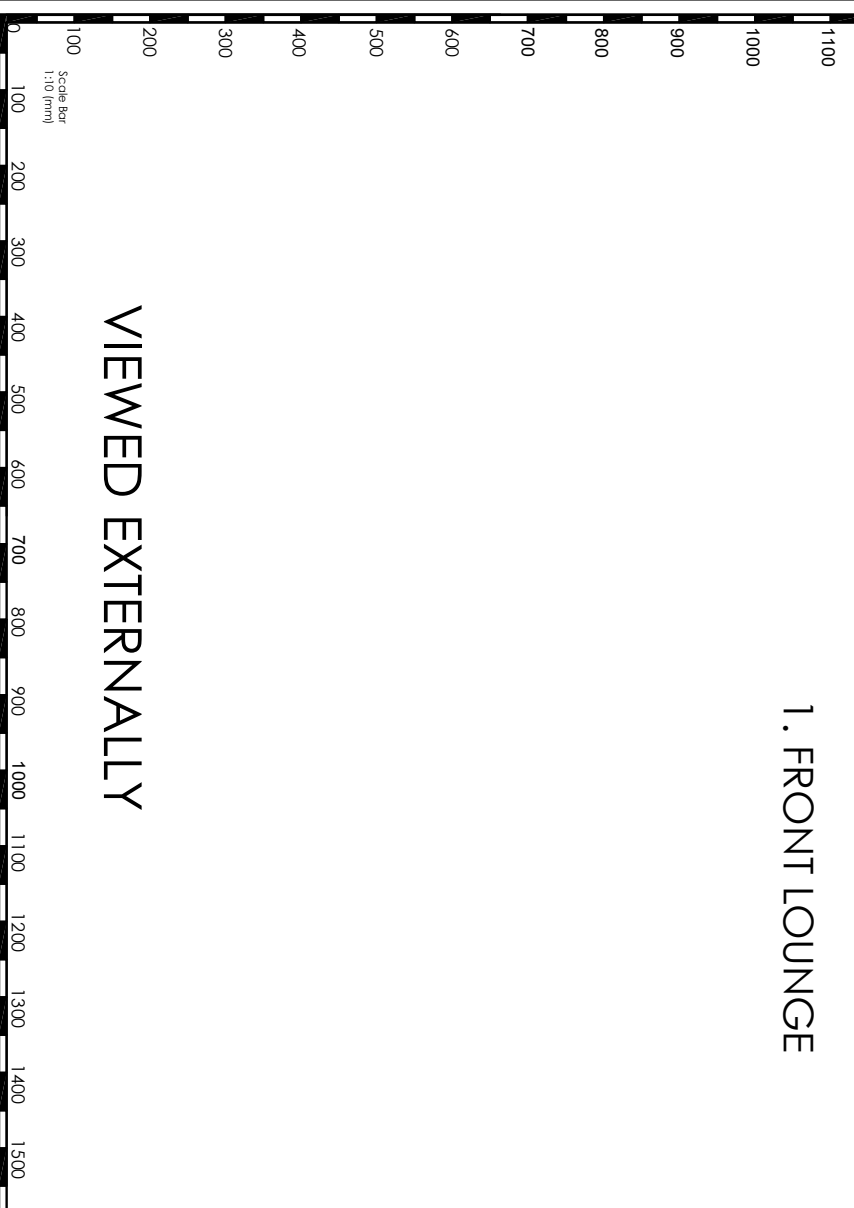


1. FRONT LOUNGE



2. FRONT BEDROOM



VIEWED EXTERNALLY

Scale - 1:10  
(Produced on A3 Paper)

Sheet 1 Of 5

Drawers Initials:  
SF

**CONTRACT No.:** 30100323

**date:** 19/05/2015

**PROPOSED:** WINDOW REPLACEMENT

**AT:** WILLOW COTTAGE  
WENDLEBURY  
BICESTER  
OXFORDSHIRE, OX25 2PW  
**FOR:** MR D MCCAULEY

