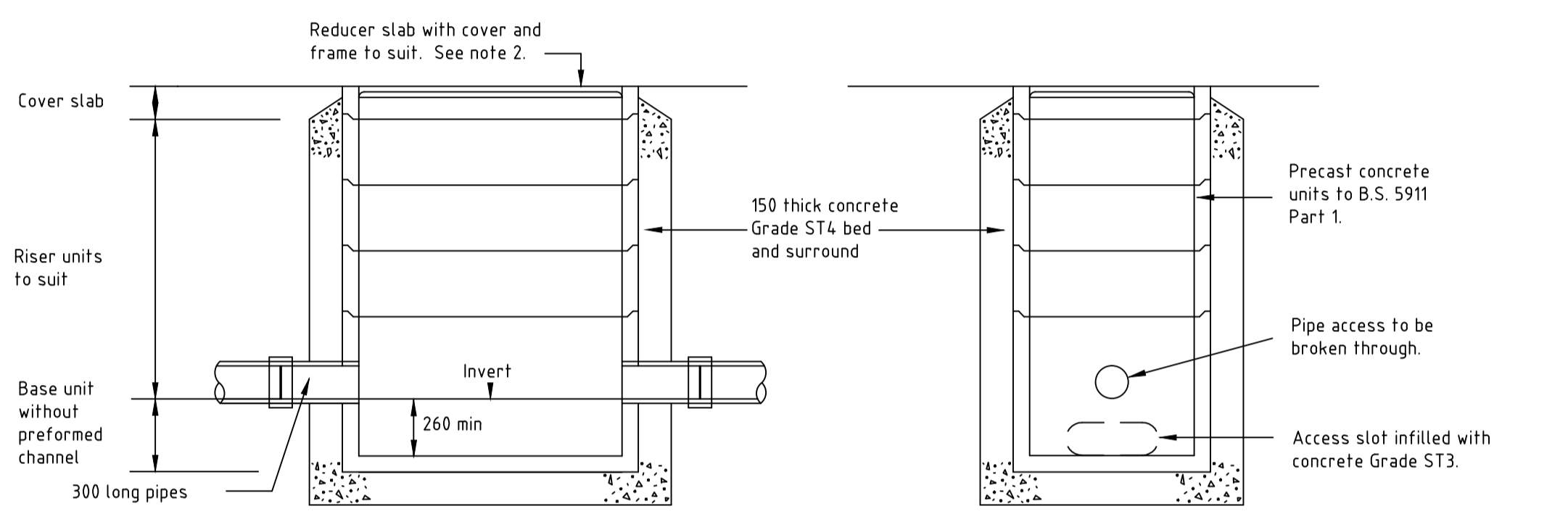


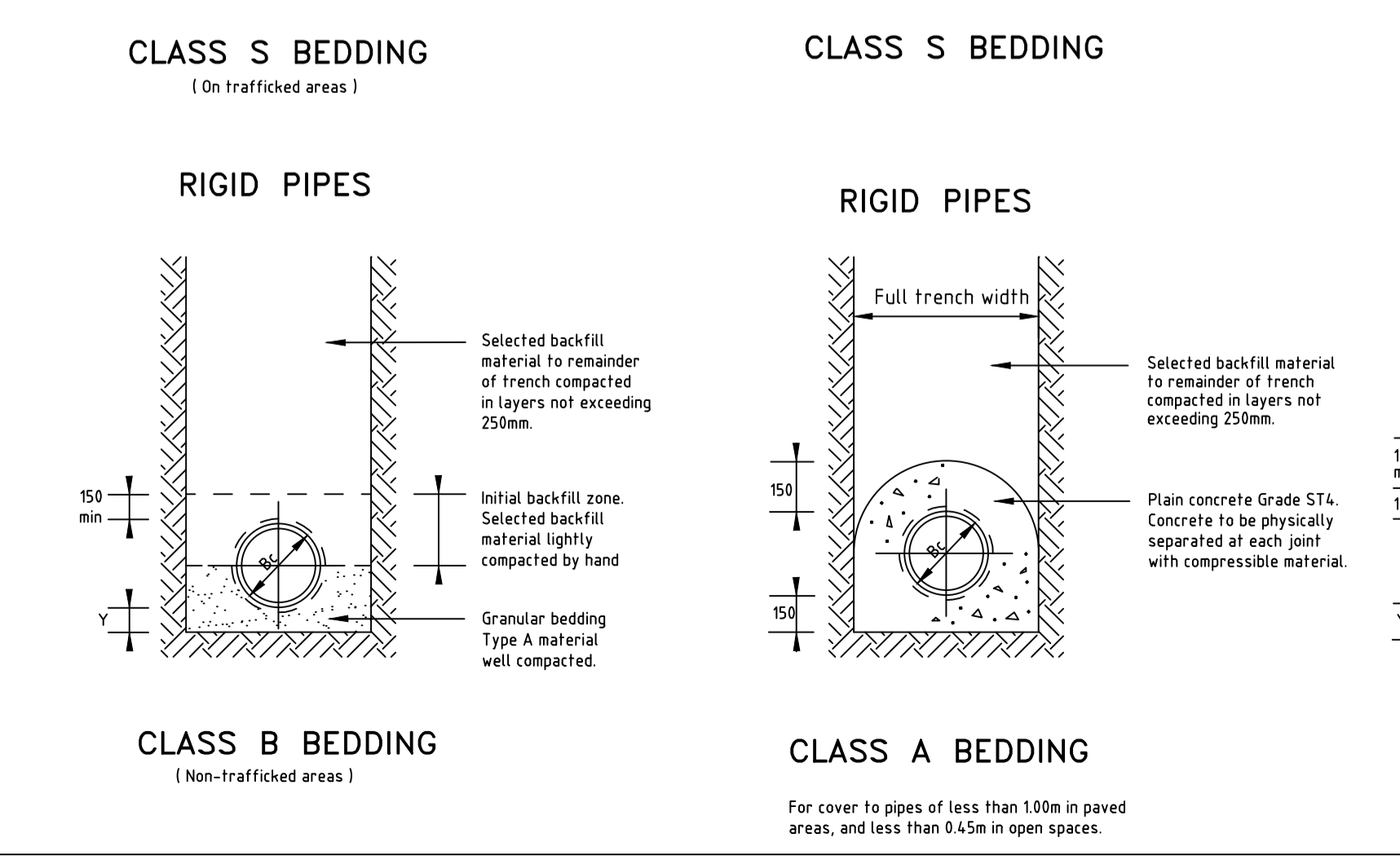
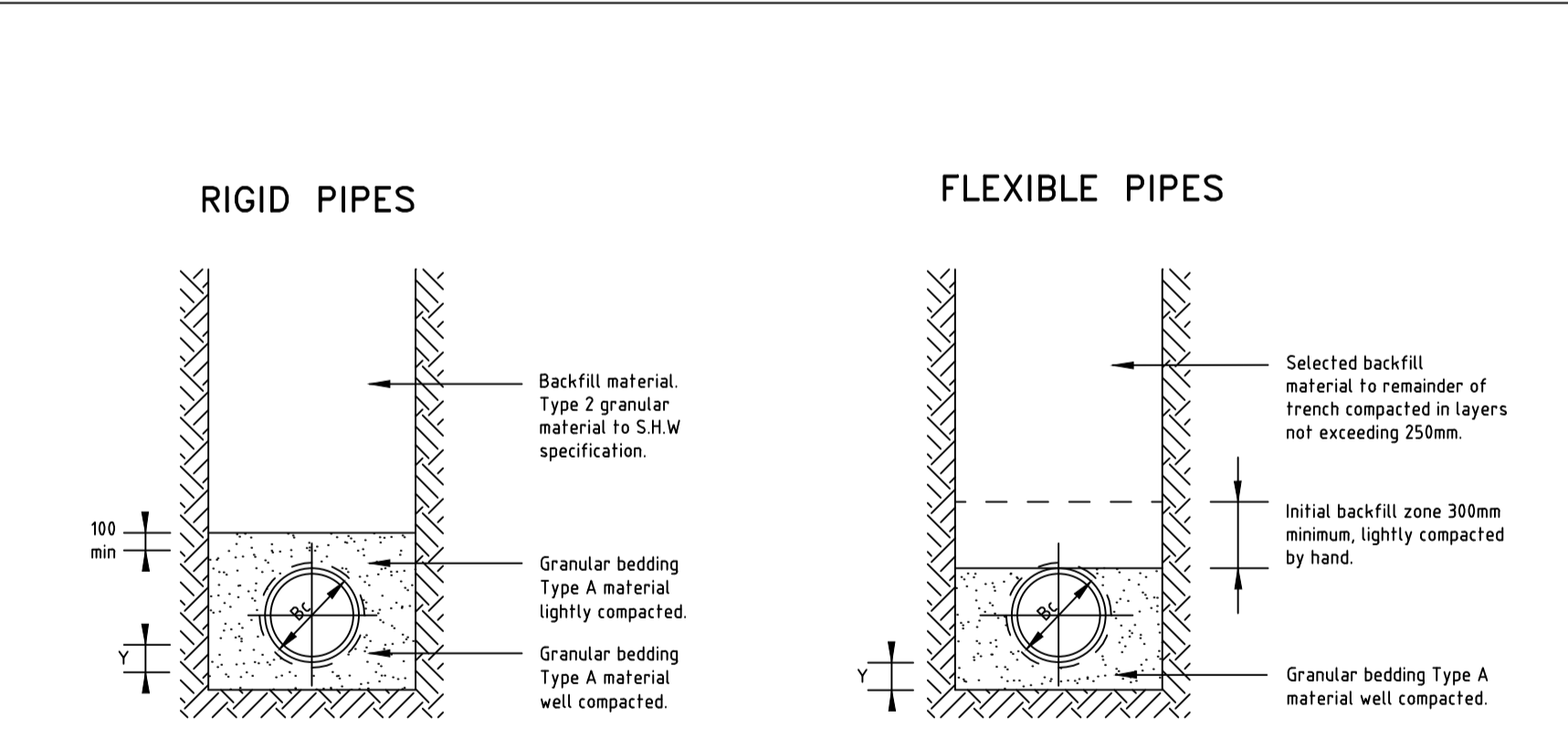
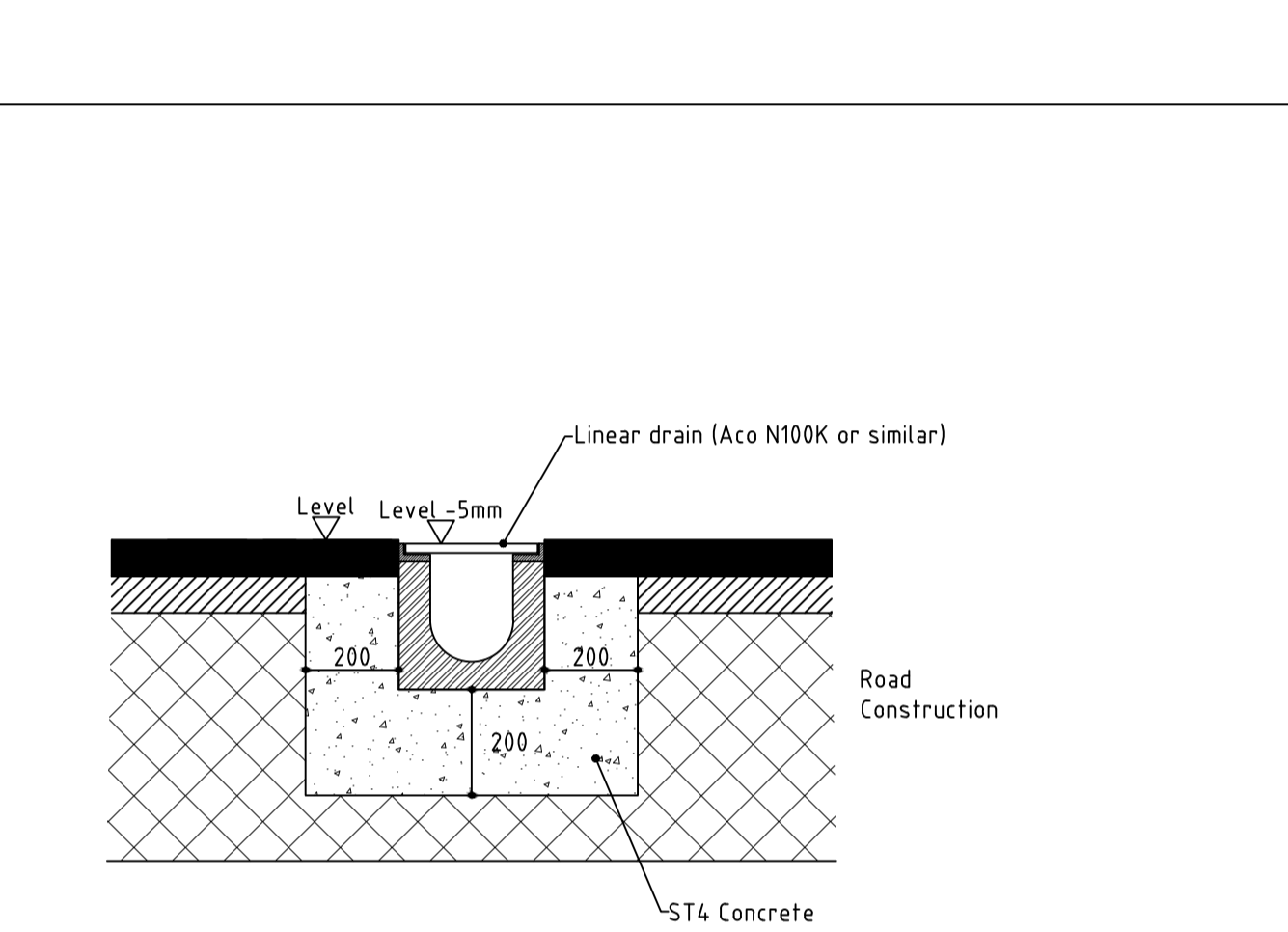
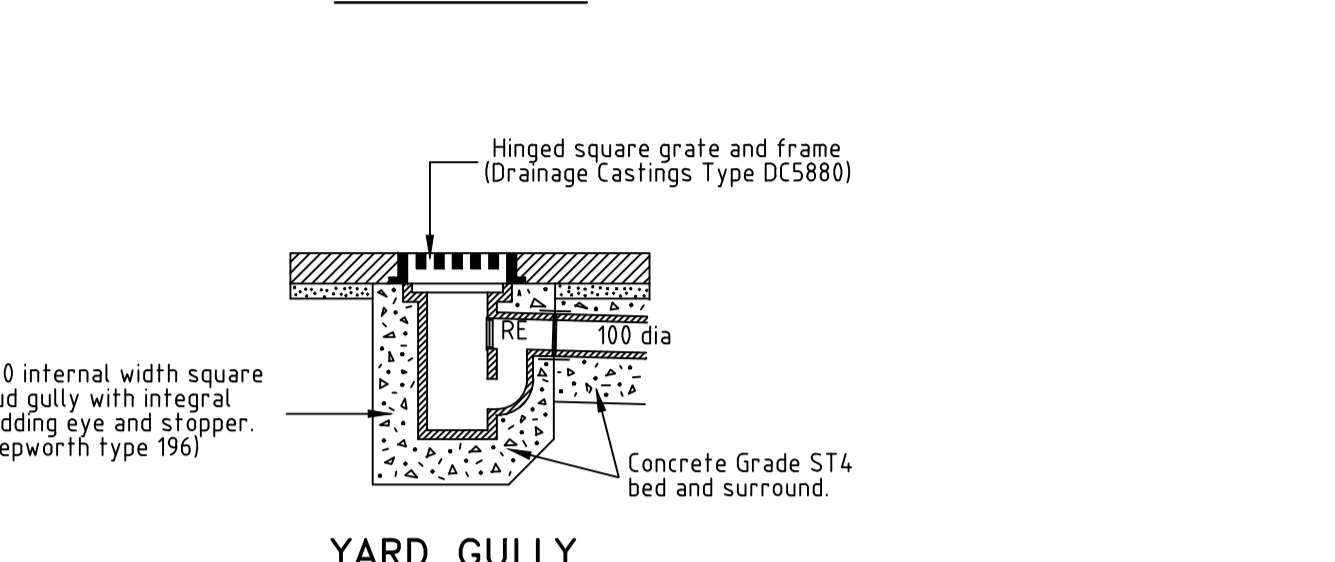
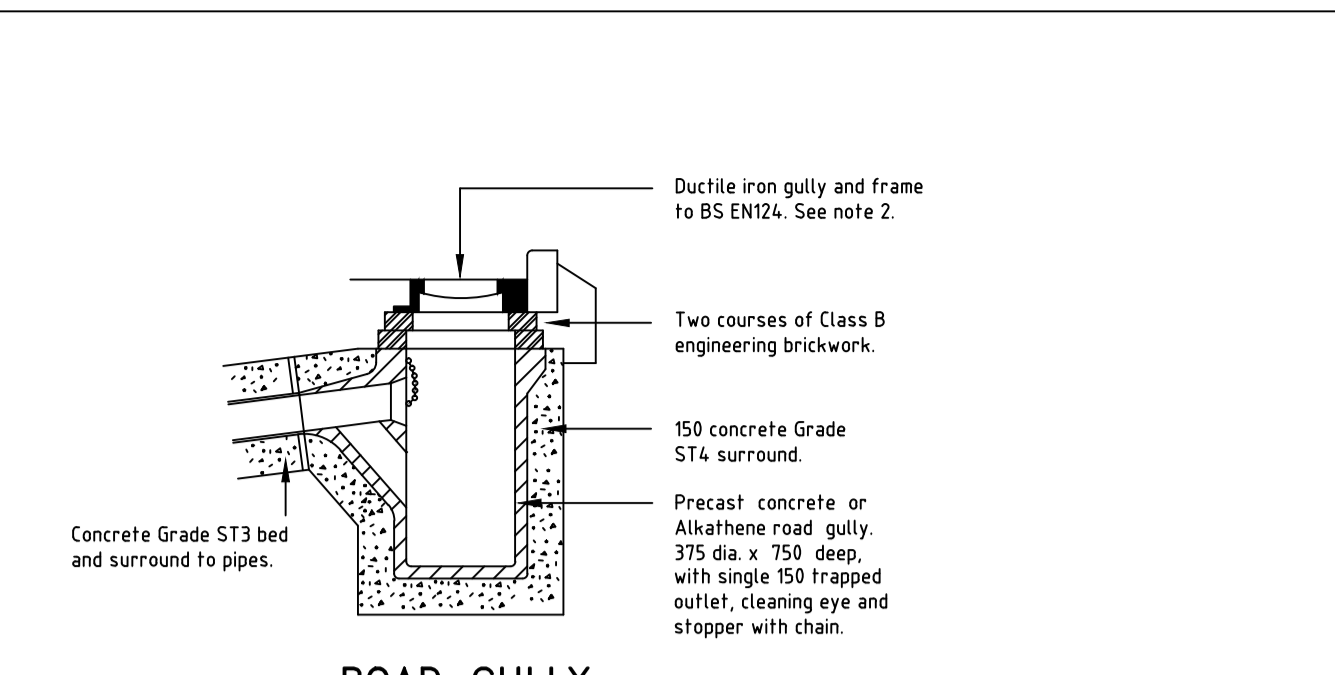
DEPTH m	MINIMUM CHAMBER SIZE mm x mm
0 - 1	600 x 450
1 - 2	1200 x 750 with step irons

RECTANGULAR PRECAST CONCRETE MANHOLE.



DEPTH m	MINIMUM CHAMBER SIZE mm x mm
0 - 1	600 x 450
1 - 2	1200 x 750 with step irons

RECTANGULAR PRECAST CONCRETE CATCHPIT



GRANULAR BEDDING

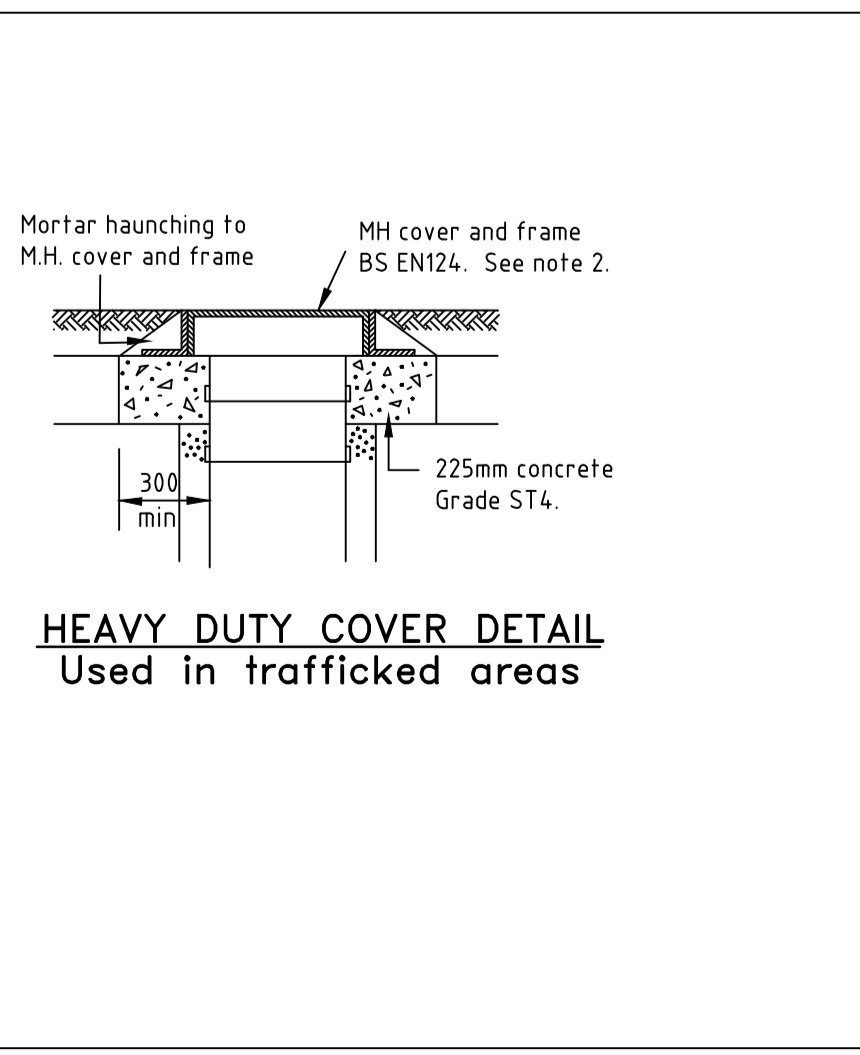
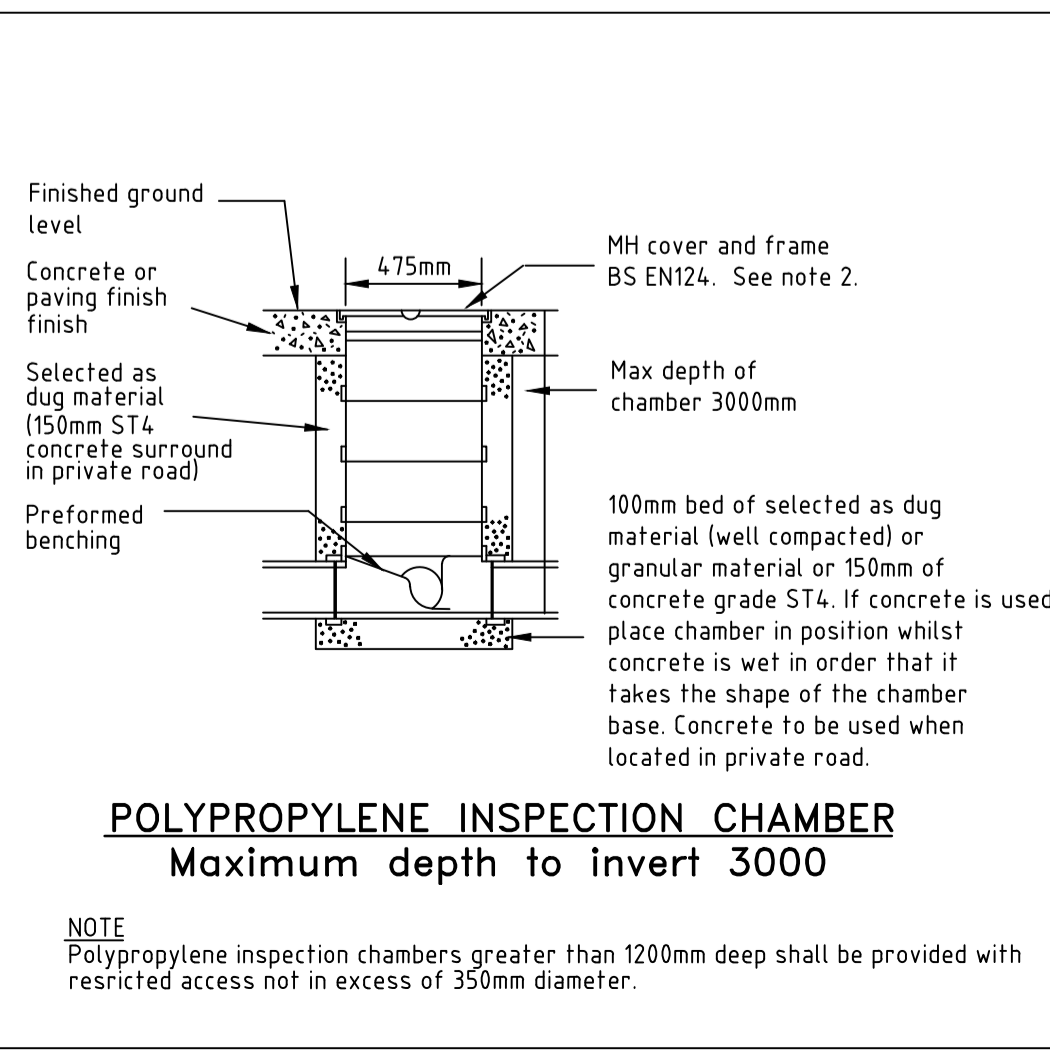
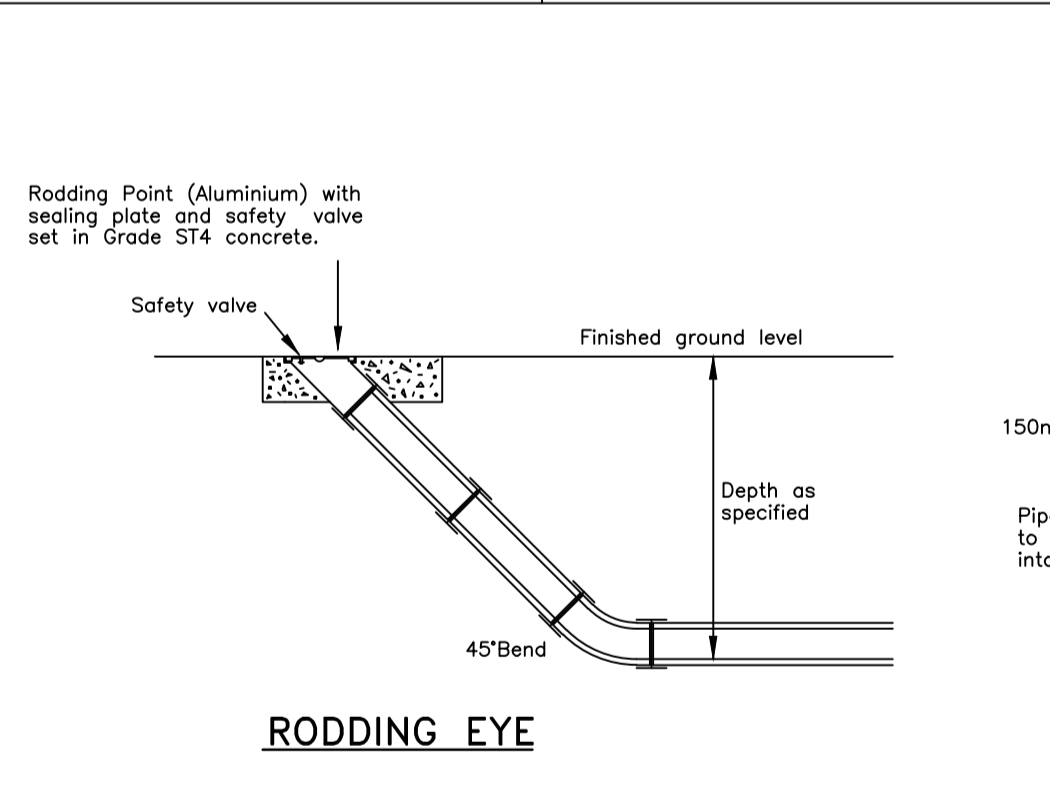
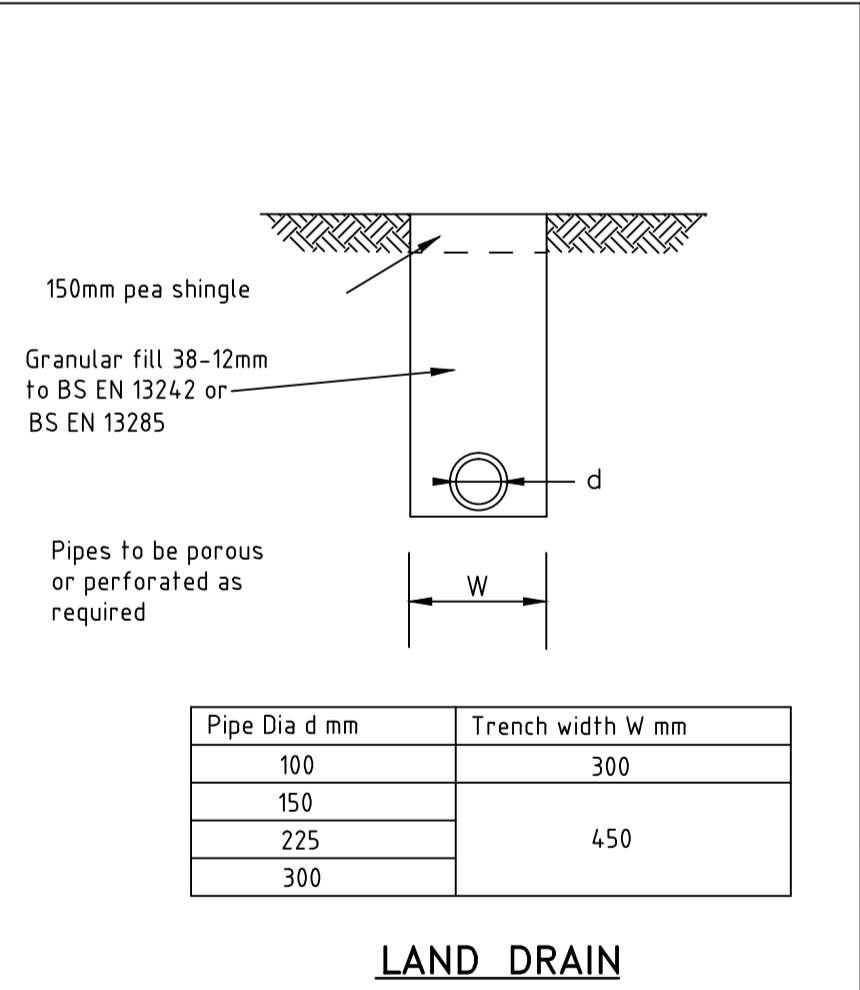
Nominal bore of pipe (mm)	Alternative Aggregate sizes (mm)	
	Single sized	Graded
100	10	-
150	10 or 14	14 to 5
225-300	10, 14 or 20	14 to 5 or 20 to 5

Granular bedding for pipes and backfilling material for temporary drains (French sub-drains) shall consist of aggregates from natural sources to BS EN 12620 and BS EN 12620-1 or sintered pulverised fuel ash complying with the relevant provisions of BS 3892, sized in accordance with the above table.

Selected fill material, whether selected from locally excavated material or imported, shall consist of uniform, readily compactible material, free from vegetable matter, building rubbish and frozen material, or materials susceptible to spontaneous combustion, and excluding clay of liquid limit greater than 80 and/or plastic limit greater than 55 and materials of excessively high moisture content. Clay lumps and stones shall be retained on 100mm and 40mm sieves respectively.

TRENCH WIDTHS

Pipe Dia	Trench width max.	Y
100	600	100
150	600	100
225	700	100
300	750	100



© 2012 RPS Group

Notes

- This drawing has been prepared in accordance with the scope of RPS's appointment with its client and is subject to the terms and conditions of that appointment. RPS accepts no liability for any use of this document other than by its client and only for the purposes for which it was prepared and provided.
- If received electronically it is the recipient's responsibility to print to correct scale. Only written dimensions should be used.
- This drawing should be read in conjunction with all other relevant drawings and specifications.

Notes:

- All materials and workmanship in connection with non adoptable drainage works to comply with BS EN 752 "Drain and Sewer Systems outside buildings" and the "Building Regulations 2000, Section H - Drainage and Waste Disposal".
- Covers and frames to be:
 - Private Roads - Class D400 (ductile iron to BS EN 124).
 - Other trafficked areas - Class C250 (ductile iron to BS EN 124).
 - Non trafficked areas - Class B125 (ductile iron to BS EN 124).
- Where the crown of the pipe is within 300mm of the underside of the building slab, concrete encasement should be used integral with the slab.
- Sulphate resisting concrete shall be used in accordance with BRE Special Digest Parts 1-4, if required by the soil conditions.
- Private connections to public sewers and chambers immediately upstream to be constructed of a material other than plastic.

A FIRST ISSUE SJW KMc 15.07.13

Rev	Description	By	Ckd	Date

For guidance only. Do not scale off this drawing

RPS

Noble House
Capital Drive, Linford Wood, Milton Keynes MK14 6QP
T:+44 (0)1908 669898 E:rpsmk@rpsgroup.com F:+44 (0)1908 669899

Bellway

Client **Bellway**

Project **KINGSMERE, BICESTER**

Title **PRIVATE DRAINAGE DETAILS**

Status Preliminary Scale NTS @A1 Date Created 15.07.13
Project Leader KMc Drawn By SJW Checked by KMc

Drawing Number JKK6647 _111 Rev A

rpsgroup.com