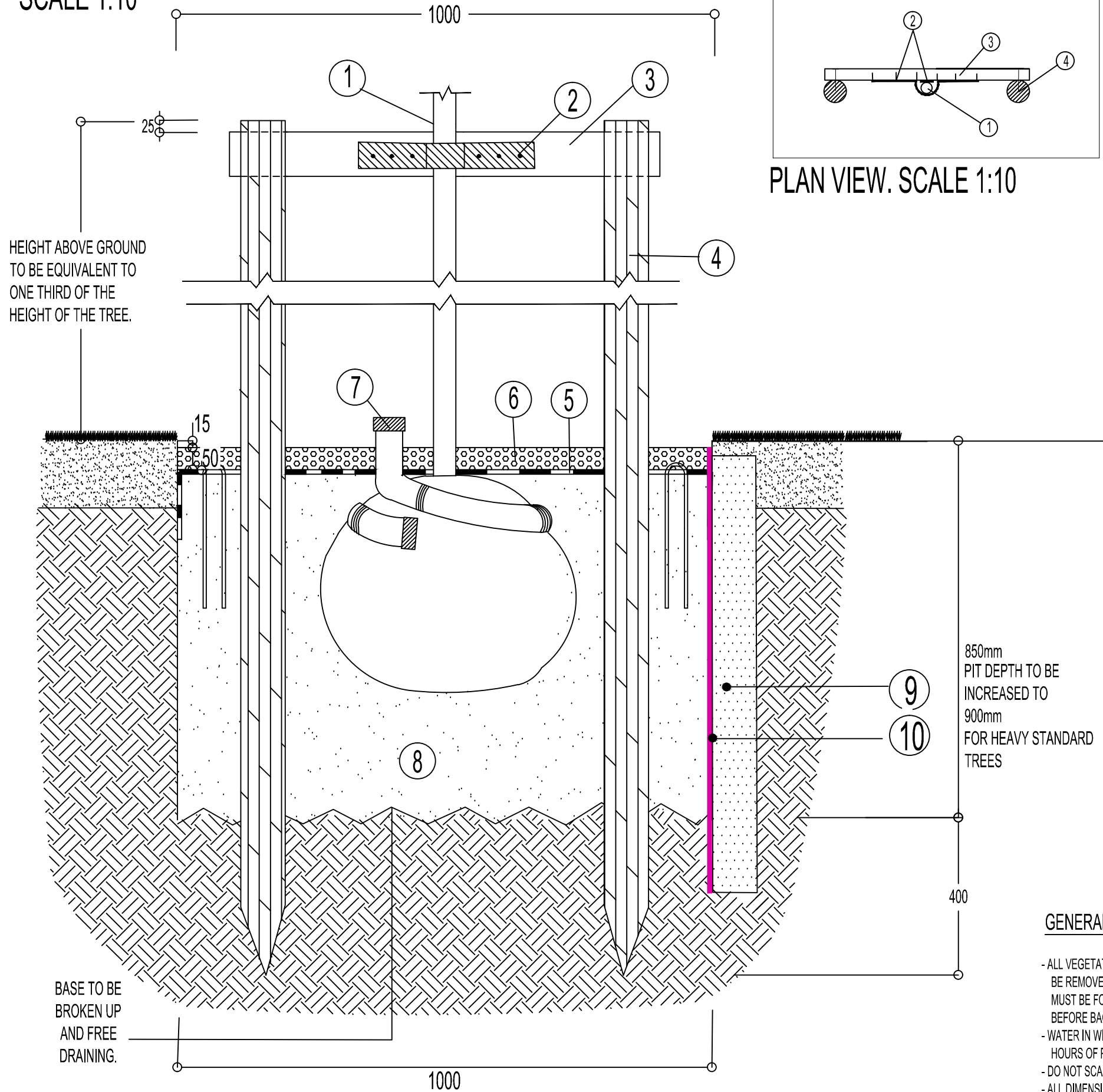
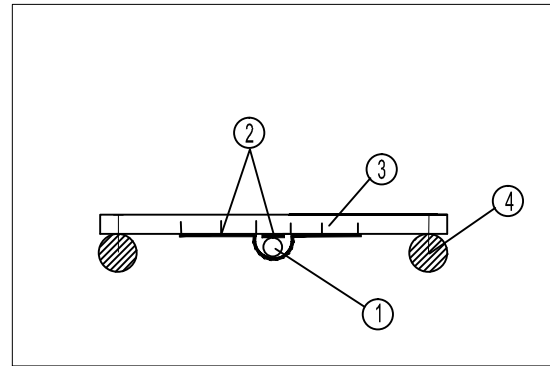


SECTION.  
SCALE 1:10



PLAN VIEW. SCALE 1:10



NOTES:-

- ① FOR PROPOSED TREE REFER TO THE PLANT SCHEDULE FOR SPECIES AND SIZE ON SOFTWORKS PLAN, JBA
- ② BIODEGRADABLE SACK CLOTH TIE AND SPACING DEVICE NAILED TO CROSS BRACE WITH GALVANISED NAILS.
- ③ CROSS BRACE, 100mm DIAMETER, SECURED TO BOTH STAKES.
- ④ TIMBER STAKE, 1No, 2400 x 100mm DIAMETER, TO BE SECURELY DRIVEN INTO FIRM SUBGRADE, WITH HALF ROUND CROSS BRACE SECURELY NAILED TO THE STAKES. ENSURE IT IS SUFFICIENTLY AWAY FROM ROOTBALL TO PREVENT ROOT DAMAGE
- ⑤ "COVERTEX" AVAILABLE FROM HY-TEX UK LTD (TEL. 01422-720097). 1.2m SQUARE CUT AROUND TREE STEM AND WATER PIPE. TO BE PEGGED IN AT 300mm CENTRES WITH HYTEX METAL HOOPS, 300mm LONG, OR WITH WOODEN PEGS DEPENDING UPON GROUND CONDITIONS.
- ⑥ "COARSE GRADED FREE-OF-FINES LARGE WOOD CHIP MULCH" (AVAILABLE FROM EDWARDS OF BRANDON. TEL: (01842) 813555) TO A DEPTH OF 50mm AROUND BASE OF TREE, RECESSED 15mm BELOW GRASS LEVEL, RADIUS TO MATCH PIT SIZE.
- ⑦ PERFORATED PVC WATERING PIPE (60mm DIAMETER) INCLUDING END CAPS. TO BE WRAPPED IN "COVERTEX" MEMBRANE. TO BE COILED HORIZONTALLY, AROUND TOP OF ROOTBALL WITH OPEN END AS CLOSE TO THE TRUNK AS POSSIBLE, WITH CAP ON END TO ENSURE EVEN DISTRIBUTION OF WATER.
- ⑧ TREE PIT (UNLESS DIFFERENT DIMENSIONS ARE SPECIFIED IN THE APPROPRIATE MEASURED WORKS SCHEDULE DOCUMENT):  
 1000 x 1000 x 850mm FOR A STANDARD TREE  
 1000 x 1000 x 900mm FOR A HEAVY STANDARD TREE  
 PIT TO BE FILLED WITH EXISTING OR IMPORTED TOPSOIL TO B.S. 3882:2007 AS NECESSARY AND SPECIFIED. ENSURE FINISHED LEVELS OF TOP SOIL ARE 65mm BELOW THE TOP OF PIT. ENSURE BASE AND SIDES OF PIT ARE FORKED OVER TO ENSURE ADEQUATE DRAINAGE. AMELIORATE SOIL WITH 30 LITRES OF NON-PEAT BASED COMPOST PER LINEAR METRE AND 150G OF "NEUTROCOTE" SLOW RELEASE FERTILIZER INCORPORATED INTO TOP 100mm OF TOPSOIL.
- ⑨ SUB-SOIL EXCAVATED FROM THE PIT
- ⑩ ROOT PROTECTION BARRIER TO BE APPLY TO TREES IN CLOSE PROXIMITY TO UTILITIES OR HIGHWAYS. ROOT BARRIER TO BE REROOT 2000: THICKNESS 2mm, DEPTH 1000mm, AVAILABLE FROM GREEN BLUE URBAN, HAYWOOD WAY, HASTINGS, EAST SUSSEX, TEL: 01424 717797

GENERAL NOTES:-

- ALL VEGETATIVE MATERIAL, LITTER AND OTHER DEBRIS IS TO BE REMOVED AND THE BOTTOM AND SIDES OF THE TREE PIT MUST BE FORKED OVER TO ENSURE ADEQUATE DRAINAGE BEFORE BACKFILLING WITH SOIL.
- WATER IN WITH 50 LITRES OF WATER PER TREE WITHIN FOUR HOURS OF PLANTING.
- DO NOT SCALE FROM THIS DRAWING.
- ALL DIMENSIONS ARE IN MILLIMETRES.
- ALL DIMENSIONS ARE TO BE CHECKED ON SITE.
- (C)JBA CONSULTANCY SERVICES LTD 2015

REV.	DATE	INITIALS	DETAILS

CLIENT LINDEN HOMES		DWG. TITLE TREE PIT DETAIL FOR STANDARD TREE IN SOFT LANDSCAPING			
PURPOSE OF ISSUE PLANNING					
SITE KINGSMERE, BICESTER					
DRG BY WD	CHECKED JBA	AUTH'D JBA	SCALE 1:10@A3	DATE MAR 2015	DWG NO. JBA 15/42-DT1
					REV. 

HEAD OFFICE  
The Black Barn, Hall Road, Lavenham, Suffolk, CO10 9QX  
Tel: (01787) 248216 Fax: (01787) 247264  
jamesblake@jba-landmarc.com  
www.jba-landmarc.com

LANDSCAPE ARCHITECTURE  
ARBORICULTURE o ECOLOGY