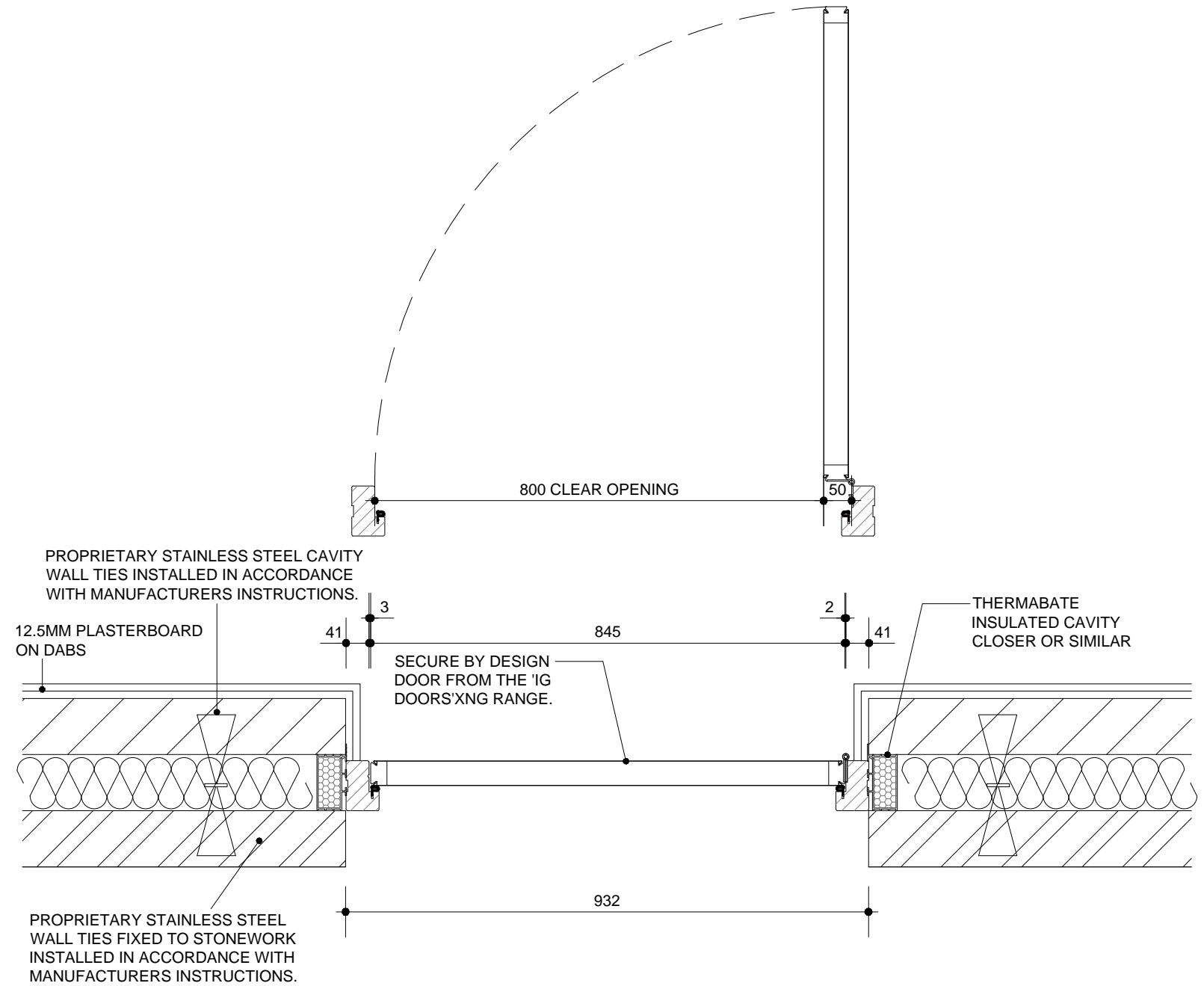


THRESHOLD DETAIL



DOOR JAMB DETAIL

Rev.	Date	Description	Scale	Drawn	Checked	Drawn	Checked
			1:10 @ A3	DP	PJB		
Client		Linden HOMES		Date		MAR 2015	
Project		PARCELS KMA & KMB KINGSMERE, BICESTER		File		DETAILS	
Drawing Title		DOOR DETAILS		Drg.No.		P1155/DET/03	
				Rev.		-	
				Drawing Status		PRELIMINARY	



AAP Architecture Ltd, Unit A, Monument Business Centre, Monument Way East, Woking, Surrey GU21 5LY. Tel: 01483 727345 Fax: 01483 727375
 Web: www.aap-arc.co.uk E-mail: projects@aap-arc.co.uk

This drawing is the copyright of AAP Architecture Ltd.