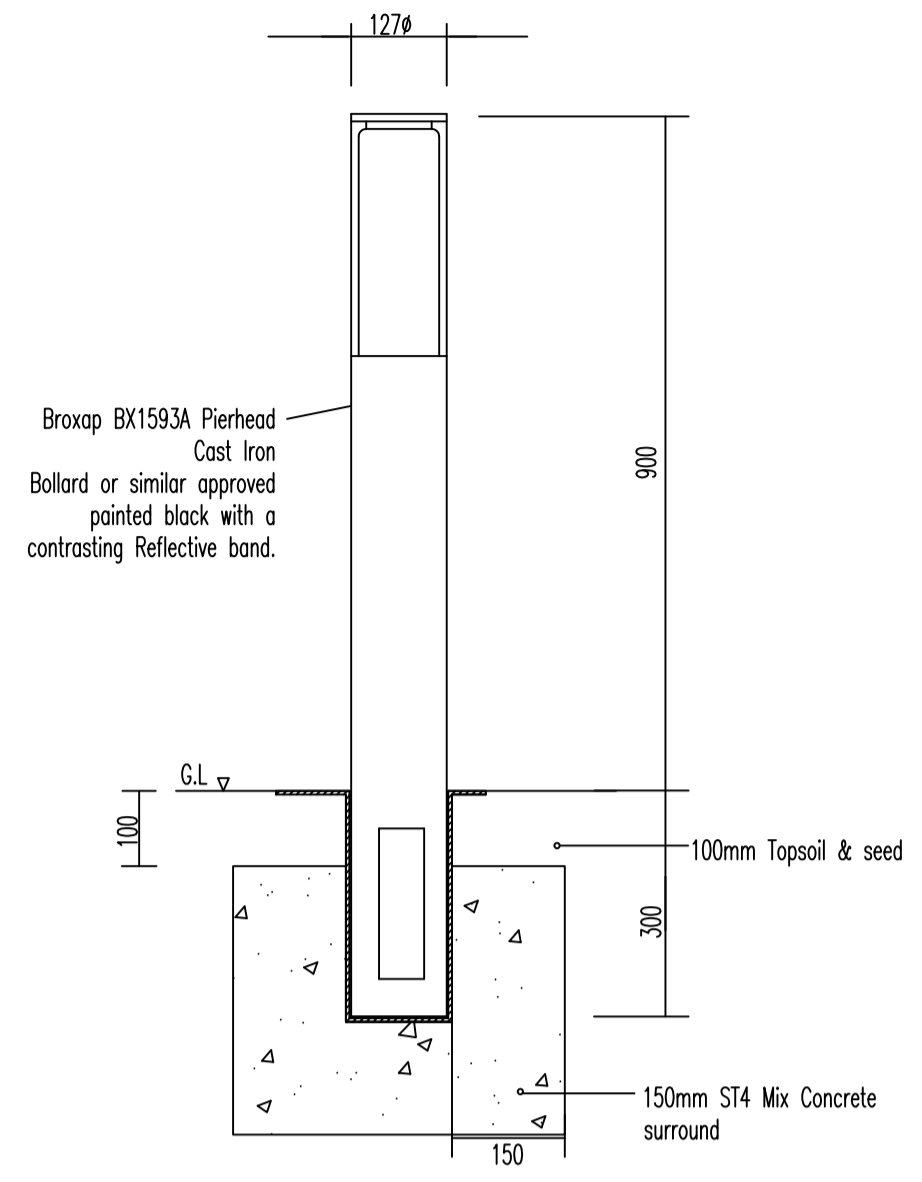


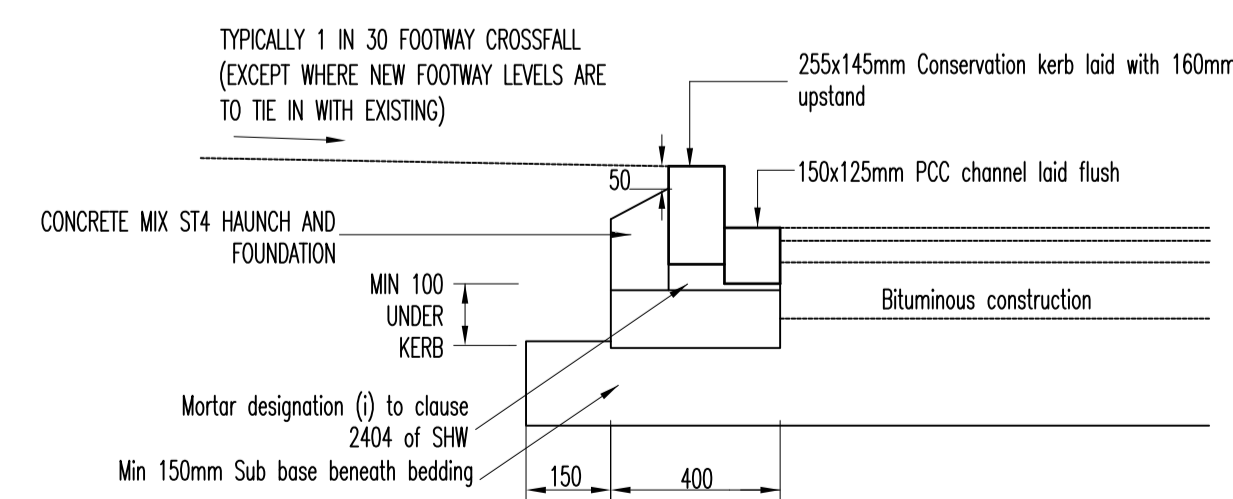
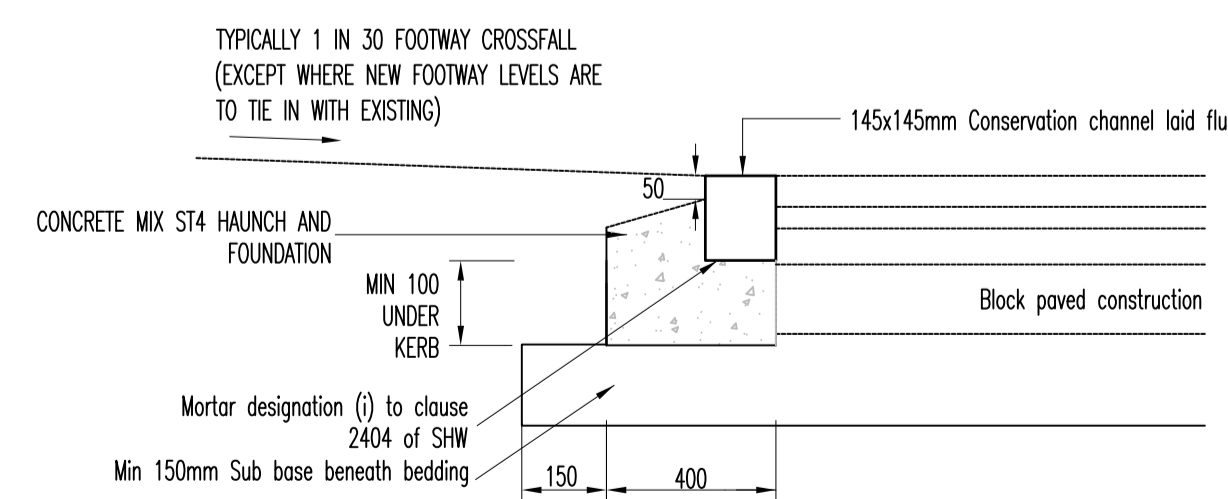
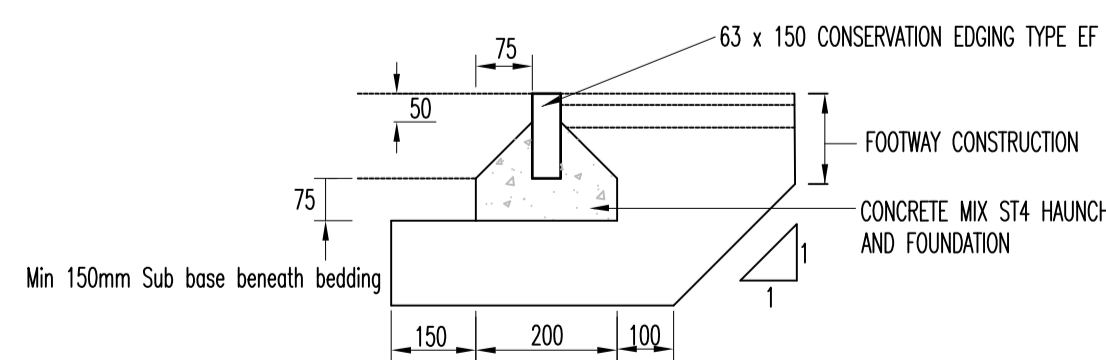
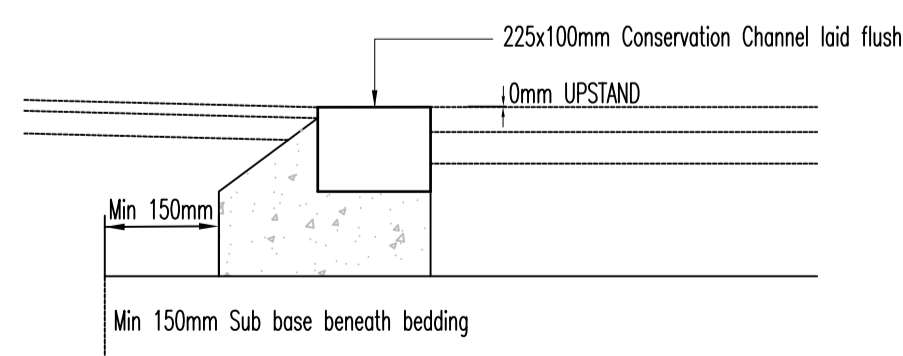
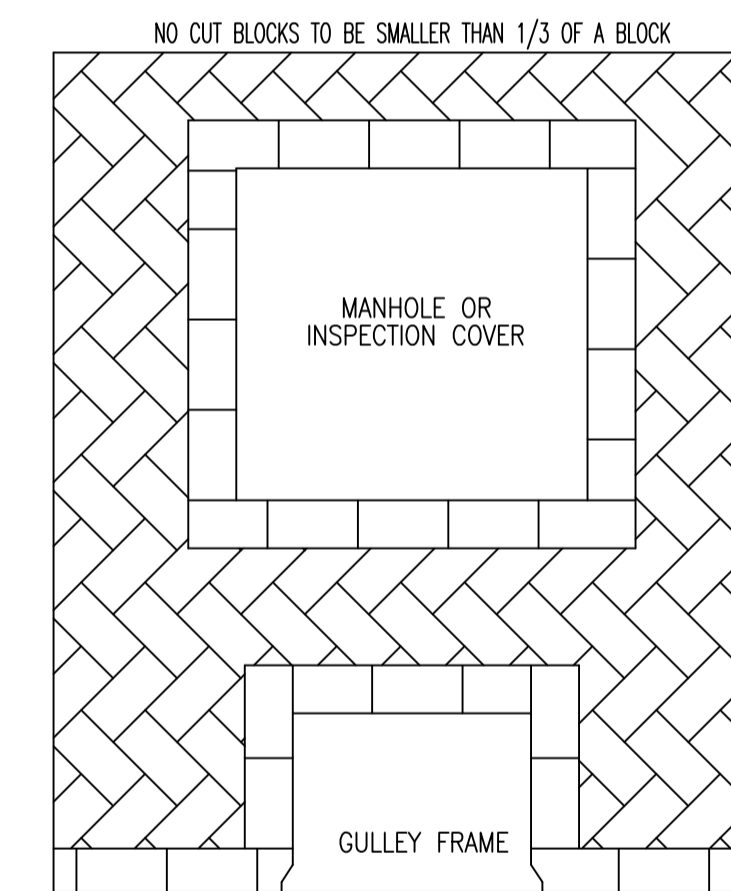
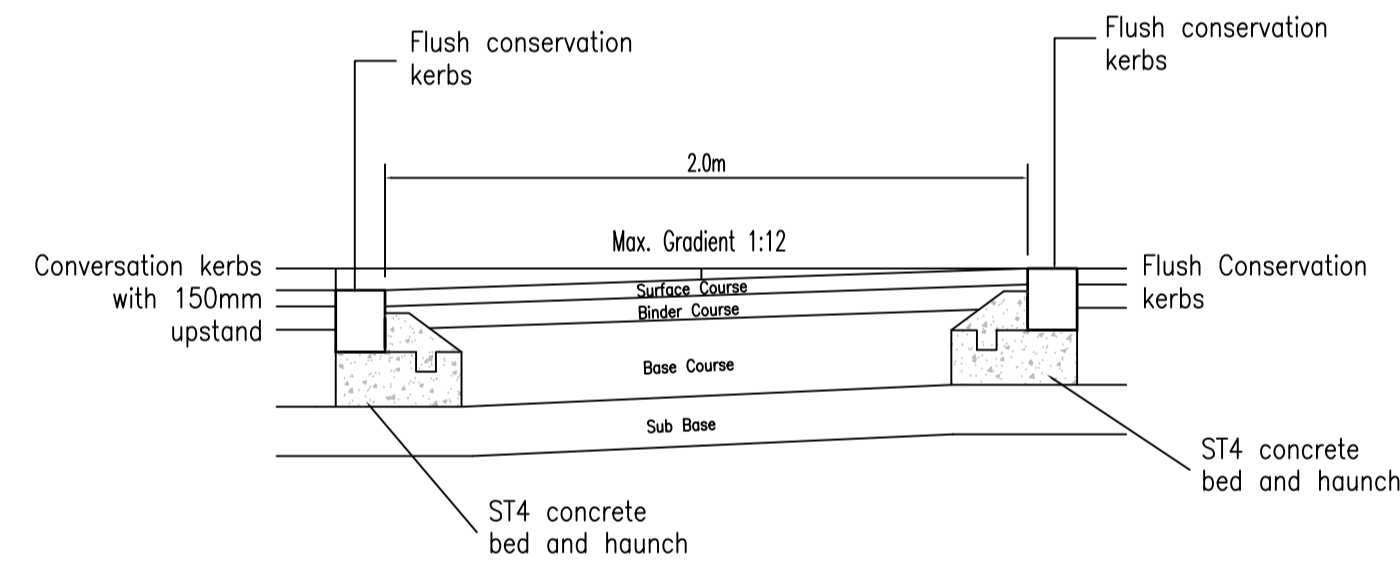
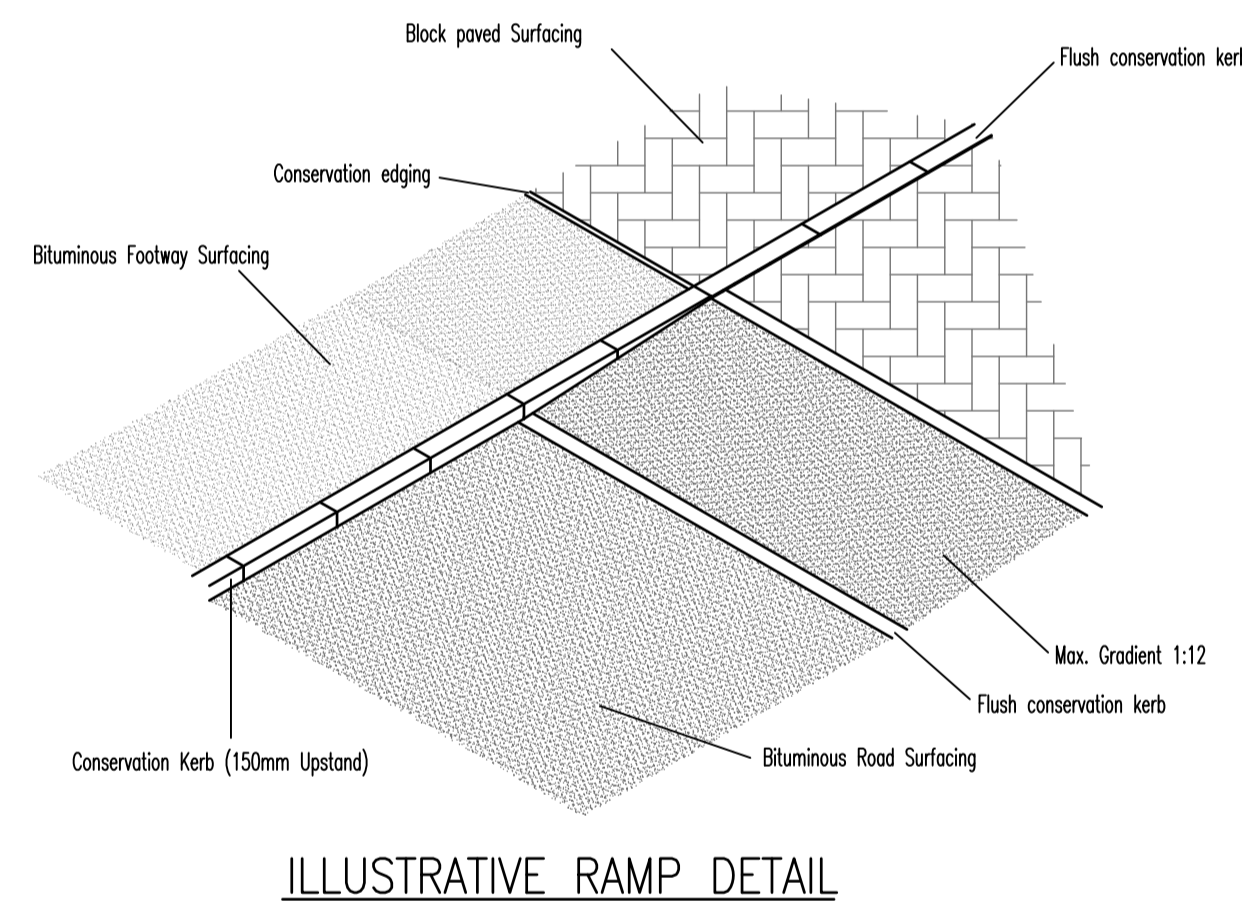
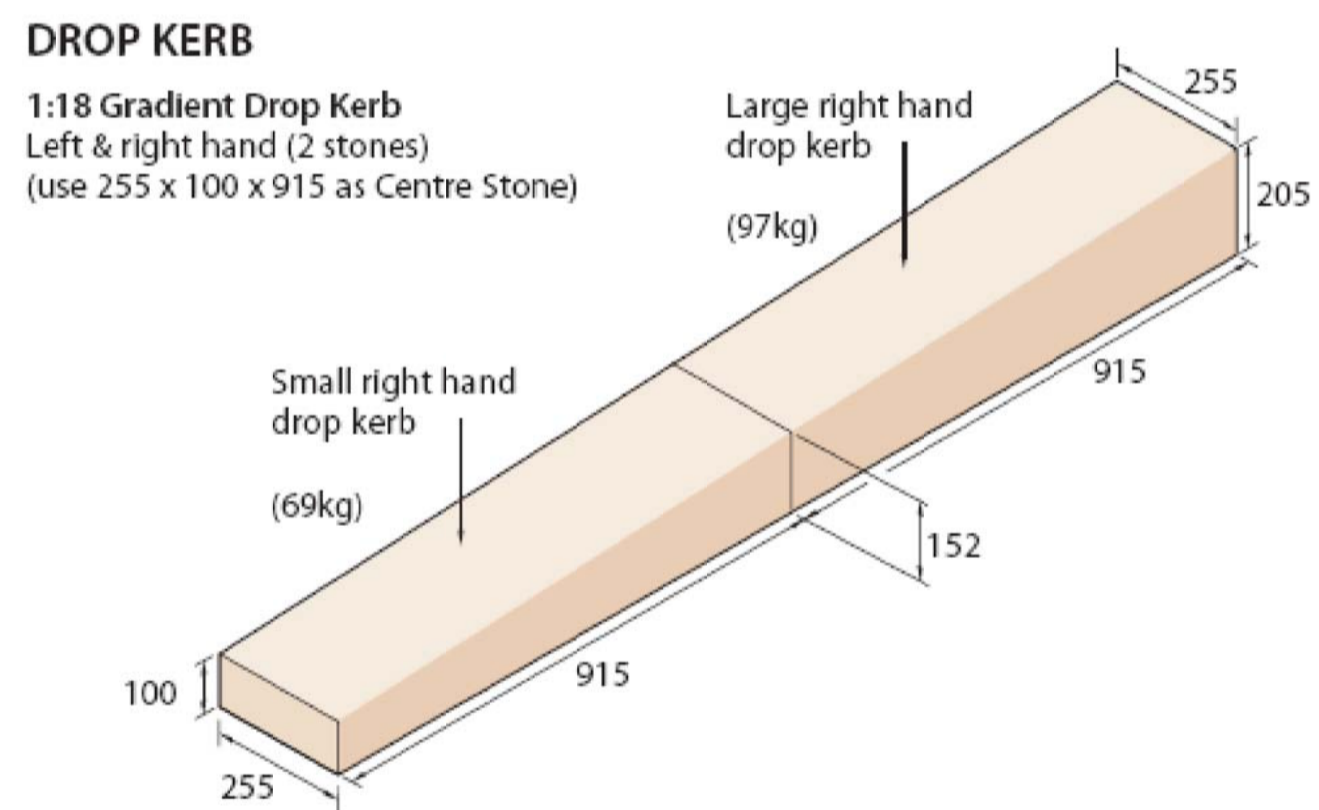
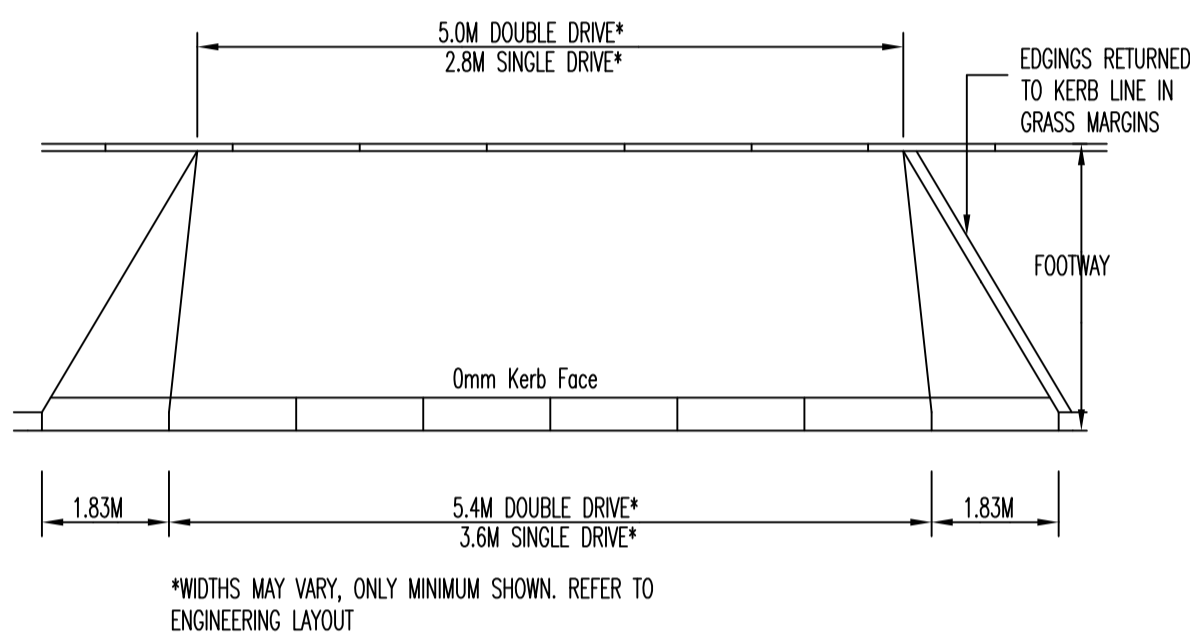
- NOTES**
1. DESIRABLE MIN SLOPE OF GULLY OUTFALL TO BE 1 IN 60
 2. GULLY CONNECTIONS TO BE PROVIDED WITH CONCRETE BED AND SURROUND TO 1.2M DEPTH BELOW GROUND LEVEL AT THE TIME OF INSTALLATION
 3. EXCAVATIONS AROUND GULLIES TO BE BACKFILLED WITH TYPE 2 MATERIAL AS DESCRIBED IN TABLE 54 AND COMPACTED IN COMPLIANCE WITH CLAUSE 6.12 WHERE MECHANICAL COMPACTION IS IMPRACTICABLE, THE EXCAVATION IS TO BE BACKFILLED WITH GRADE ST2 CONCRETE



MARSHALLS ARE TO BE CONSULTED THROUGHOUT THE CONSTRUCTION OF THE POROUS PAVING SYSTEMS TO ENSURE COMPLIANCE WITH THEIR STANDARDS. THE CONTRACTOR'S ATTENTION IS DRAWN TO THE REQUIREMENT FOR THE POROUS PAVEMENT FORMATION TO FALL TOWARDS THE OUTFALL

INFILTRATION POROUS PAVING SYSTEM - TO BE UNDERLAIN WITH A PERMEABLE MEMBRANE (TERRAM 1000 OR SIMILAR APPROVED)

UNTIL TECHNICAL APPROVAL HAS BEEN OBTAINED FROM THE RELEVANT LOCAL AUTHORITIES, IT SHOULD BE UNDERSTOOD THAT ALL DRAWINGS ARE ISSUED AS PRELIMINARY AND NOT FOR CONSTRUCTION. SHOULD THE CONTRACTOR COMMENCE SITE WORK PRIOR TO APPROVAL BEING GIVEN, IT IS ENTIRELY AT HIS OWN RISK.



- Notes**
1. All levels relate to Ordnance Datum.
 2. For adoptable roads and sewer details refer to drawings 5_500 series.
 - Building Drainage**
 3. All connections to adoptable manholes from private building drainage to be 150mm diameter pipes unless otherwise specified.
 4. All house drainage to be 100mm dia unless otherwise stated, and laid in accordance with current Building Regulations and BS8301 : 1985.
 5. All drainage products are to be Polyprop.
 6. Pipe bedding material is to be Class B with 150mm minimum thickness surround.
 7. Backfill is to be selected fill free of stones larger than 40mm, lumps of clay over 100mm, timber, frozen material and vegetable matter.
 8. Pipe protection of house drainage runs to be required in accordance with the Typical House Drainage Details drawing. The contractor shall satisfy themselves and agree with the Site Management the actual extent of pipe protection required.
 9. Pipes entering and leaving manholes/inspection chambers shall include a rocker pipe, 600mm in length.
 10. Brickwork to chambers shall be Class B Engineering to BS321.
 11. Rainwater pipes are to be sited on side elevations whenever possible.
 - Staircases**
 11. All retaining walls with a height of 600mm or greater are to include 1.2m high post and rail fencing unless located in rear gardens. Similar retaining walls in rear gardens are to include 900mm height picket fence.
 12. All flights of steps to primary level access, with more than 2 steps are to be provided with handrails, except where the steps are 900mm or more apart.
 13. Brick retaining walls are to be used in preference to gravel boards for front garden areas.

Rev	Date	Details	By

Drainage Authority Approval Date _____
Highway Authority Approval Date _____

Do not scale from this drawing. Use written dimensions only. When shown relationships between slab levels and ground levels are to be checked on site. Any discrepancy or suggested modification to be reported to Design and Engineering Director.
Note: This drawing is the copyright of Bovis Homes Ltd.

Bovis Homes Central Region
Bromwich Court
Highway Point
Gorseley Lane
Coleshill
B46 1JU
Tel: 01675 437 000
Fax: 01675 437 094
DX: 728340 Coleshill 2

Brookbanks Consulting

6150 Knights Court Solihull Parkway Birmingham B37 7WY
Tel (0121) 329 4330 Fax (0121) 329 4331
www.brookbanks.com

SITE: **KINGSMERE, BICESTER KM4**

DRAWING TITLE: **TYPICAL HIGHWAY DETAILS**

DRAWN BY	DATE	DRAWING NO.	REV
RM	02.09.14	BICE_5_970	-
SCALE:	CHECKED/DATE		
NTS	RH		