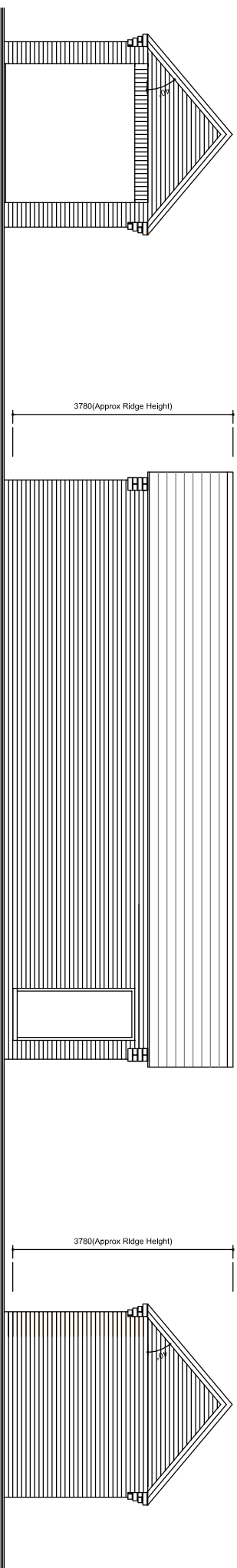


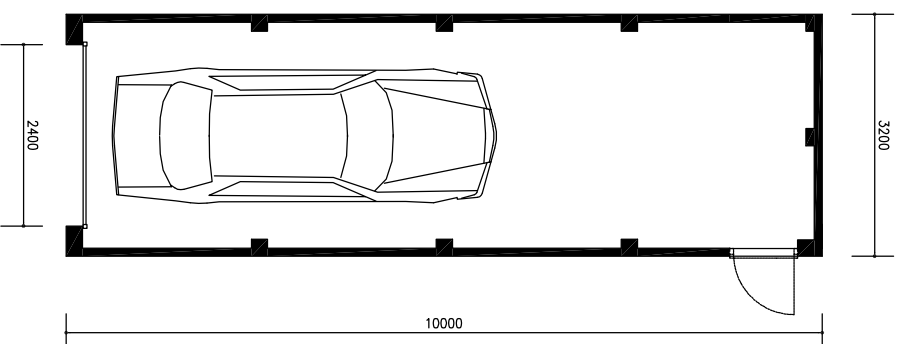
FRONT GABLED SINGLE TANDEM



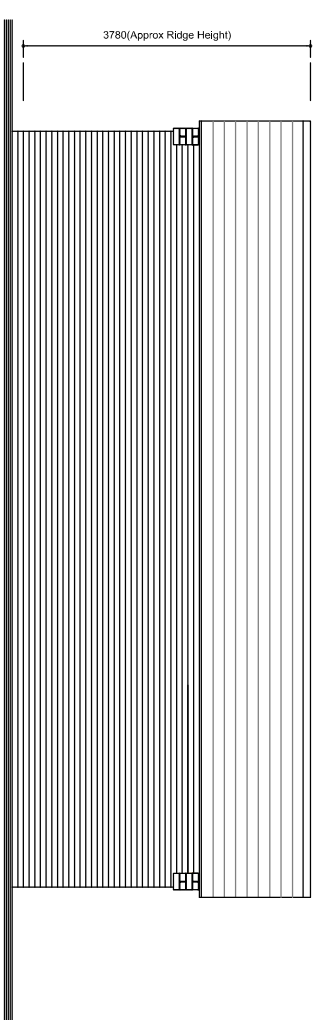
FRONT ELEVATION  
BRICK

SIDE ELEVATION  
BRICK

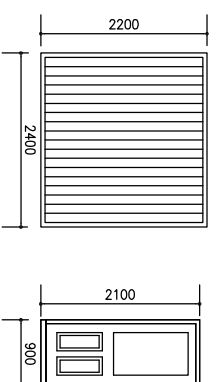
REAR ELEVATION  
BRICK



SINGLE TANDEM - PLAN



SIDE ELEVATION  
BRICK



BLACK OR WHITE STEEL VERTICAL DOOR  
Door Elevations

**KM4, BICESTER** PLOTS - 43 - BRICK

**PLANNING ISSUE**

**GARAGE AGT2 TANDEM DETACHED**

© This drawing is subject to copyright and shall not be reproduced without the written consent of Bovis Homes Ltd.

**A3 Original Sheet Size**



Bovis Homes Limited,  
Central Region  
Bronwich Court  
Highway Point  
Gorsey Lane  
Coleshill  
B46 1JU  
Tel: 01675 437000  
Fax: 01675 437094

PROJECT  
**Parcel KM4, Bicester**

DRAWING TITLE  
**Type AGT2 TANDEM DETACHED - Plans - Elevations**

SCALE 1:100 DATE JUN 14 DRAWN BY NBA DRAWING NO. KM4-AGT2-01

REV