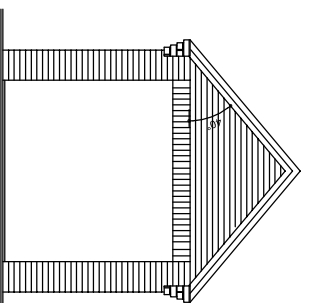
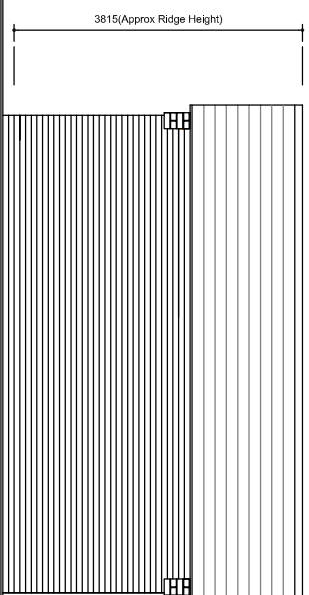


BRICK FRONT GABLE



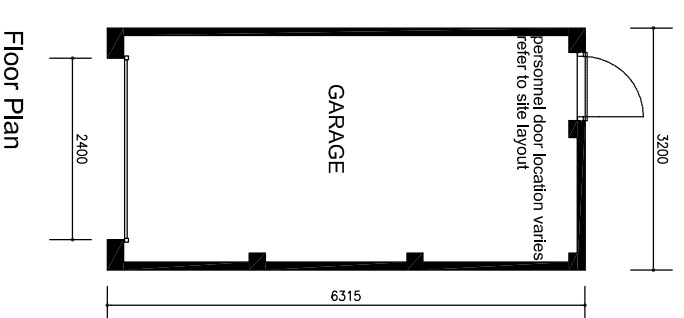
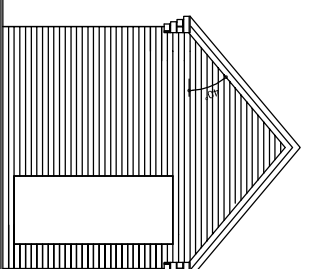
3815(Approx Ridge Height)



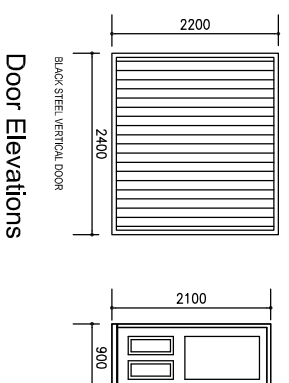
FRONT ELEVATION
BRICK

SIDE ELEVATION
BRICK

refer to site layout for inclusion of personnel door
REAR ELEVATION
BRICK



Floor Plan



Door Elevations

KM4, BICESTER PLOTS - 41,42,44,73,74,90 - BRICK

PLANNING ISSUE

© This drawing is subject to copyright and shall not be reproduced without the written consent of Bovis Homes Ltd.

A3 Original Sheet Size

GARAGE AGS2 SINGLE DETACHED



Bovis Homes Limited,
Central Region
Bronwich Court
Highway Point
Gorsey Lane
Coleshill
B46 1JU
Tel: 01675 437000
Fax: 01675 437094

PROJECT
Parcel KM4, Bicester

DRAWING TITLE
Type AGS2 SINGLE DETACHED - Plans - Elevations

SCALE 1:100 DATE JUN 14 DRAWN BY NBA DRAWING NO. KM4-AGS2-01

REV