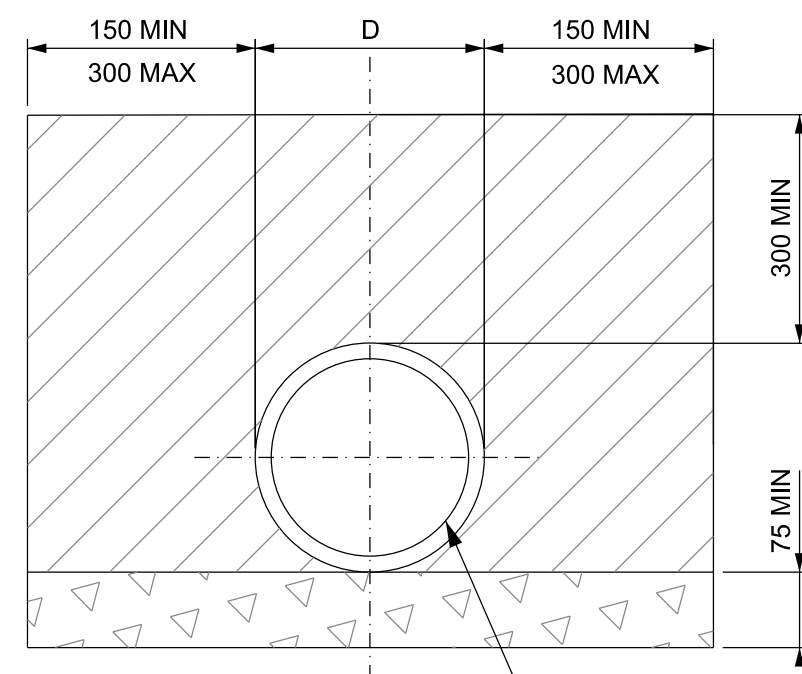
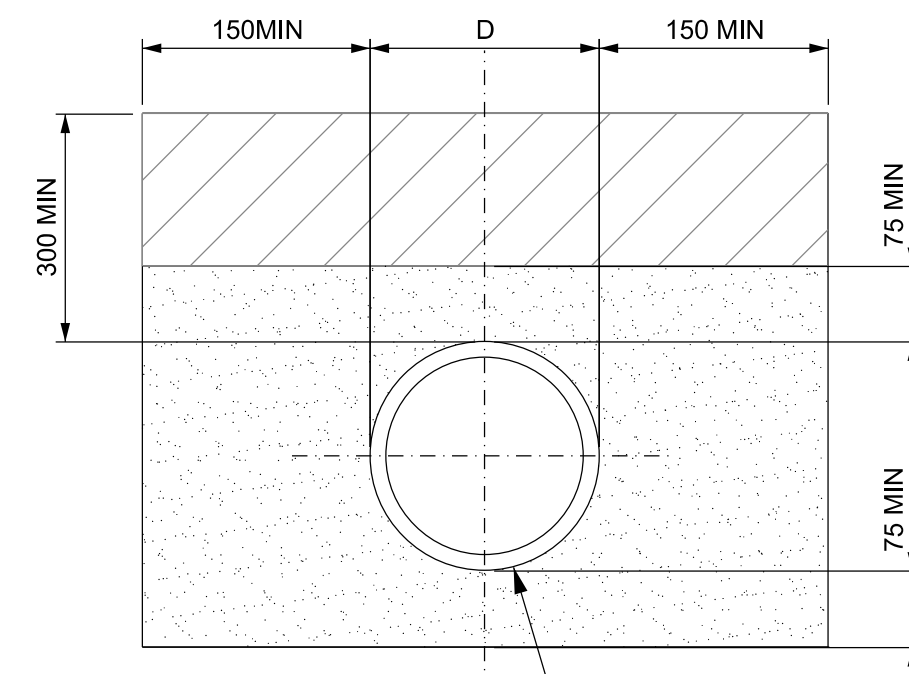


PIPE DETAIL
(STANDARD PERFORATED PIPE)
1:10

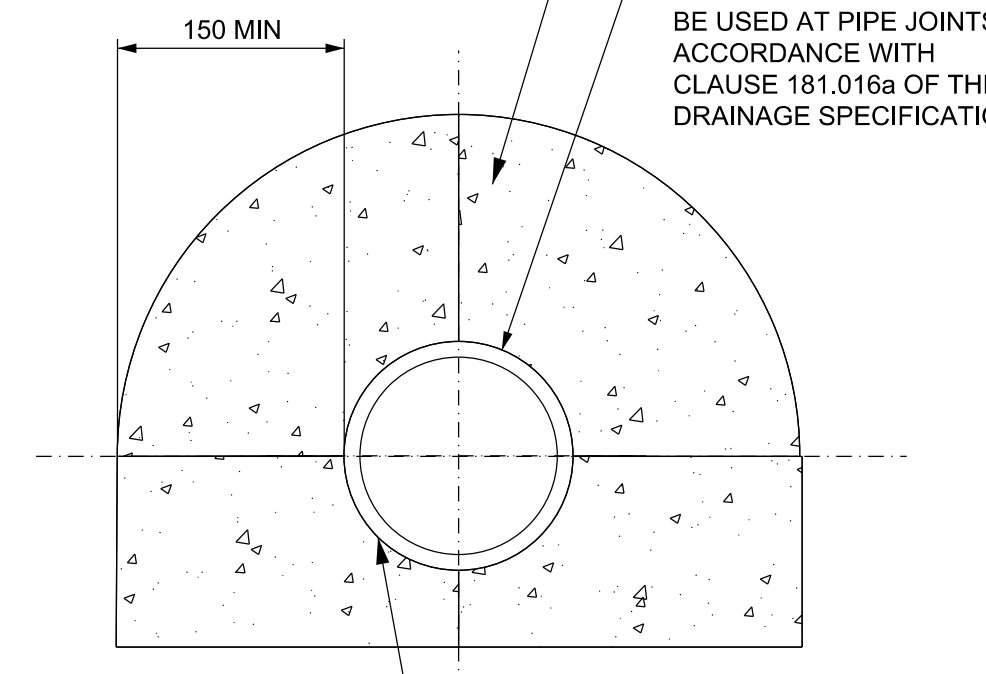
FILTER DRAIN



PIPE DETAIL D1
(STANDARD NON-PERFORATED PIPE)
1:10



PIPE DETAIL D2
(STANDARD NON-PERFORATED PIPE)
1:10



PIPE DETAIL D3
(STANDARD NON-PERFORATED PIPE)
1:10

CONCRETE COVER MAY BE FORMED TO A RADIUS BATTER OR A HORIZONTAL SURFACE

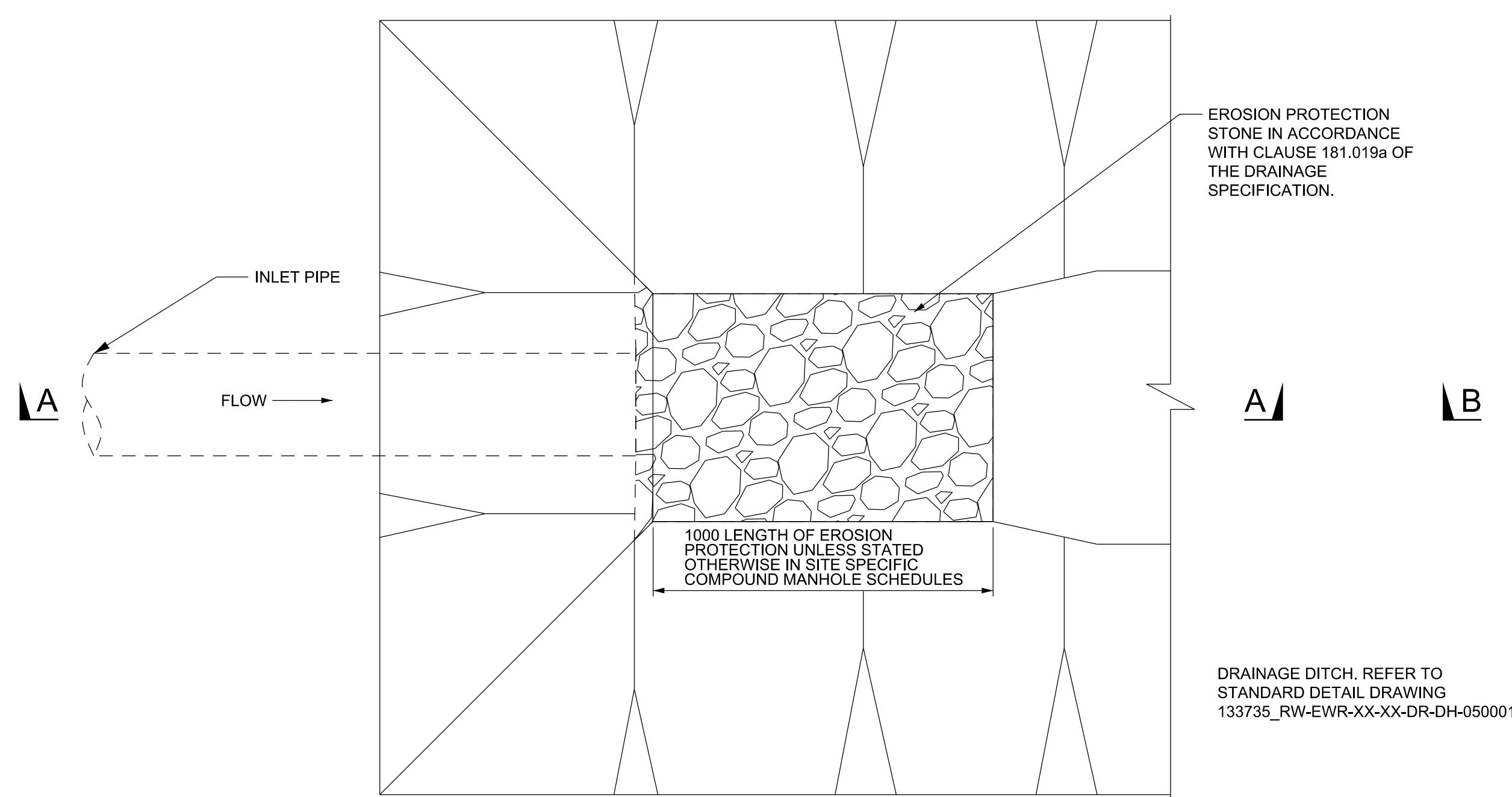
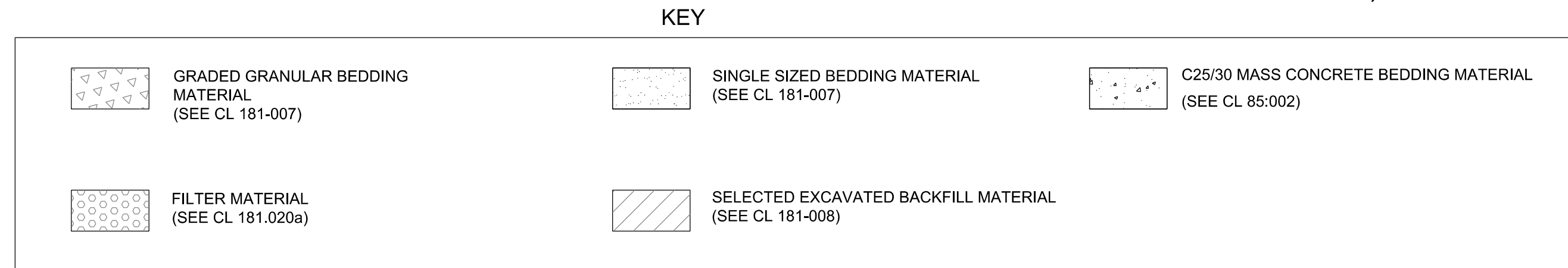
COMPRESSIBLE FILLER TO BE USED AT PIPE JOINTS IN ACCORDANCE WITH CLAUSE 181.016a OF THE DRAINAGE SPECIFICATION

NON-PERFORATED CARRIER DRAIN IN ACCORDANCE WITH CLAUSE 185.005 OF DRAINAGE SPECIFICATION. REFER TO COMPOUND SPECIFIC SCHEDULES FOR PIPE DETAILS.

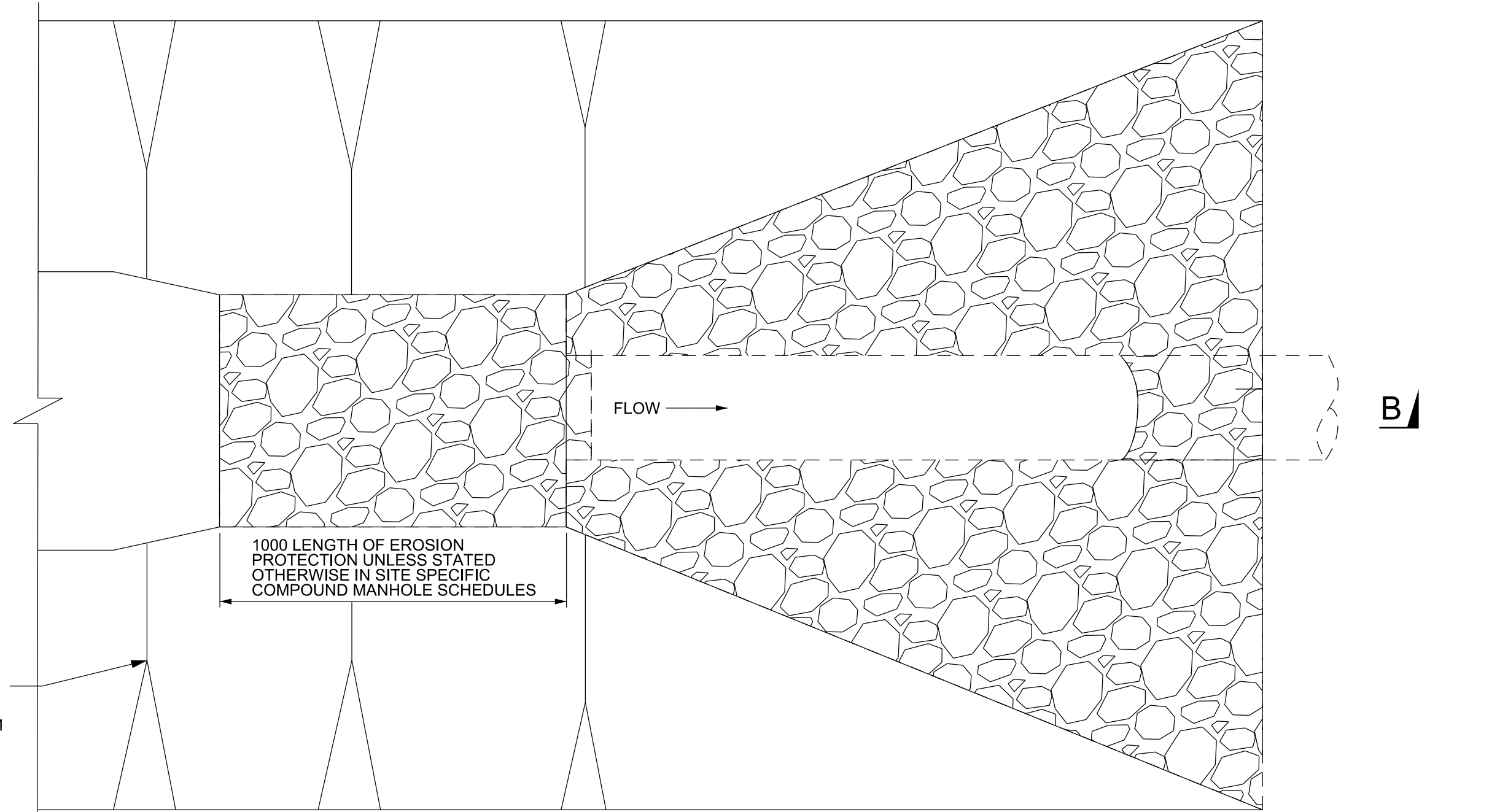
NON-PERFORATED CARRIER DRAIN IN ACCORDANCE WITH CLAUSE 185.005 OF DRAINAGE SPECIFICATION. REFER TO COMPOUND SPECIFIC SCHEDULES FOR PIPE DETAILS.

NON-PERFORATED CARRIER DRAIN IN ACCORDANCE WITH CLAUSE 185.005 OF DRAINAGE SPECIFICATION. REFER TO COMPOUND SPECIFIC SCHEDULES FOR PIPE DETAILS.

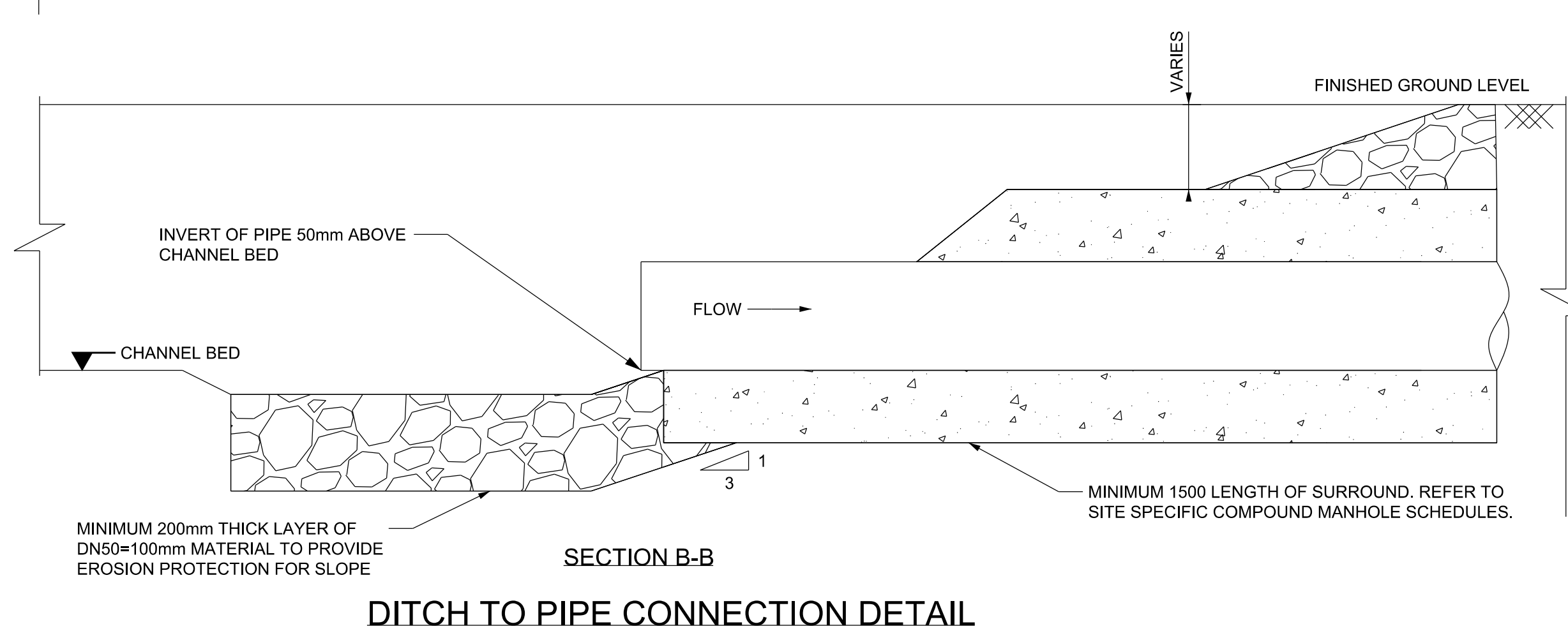
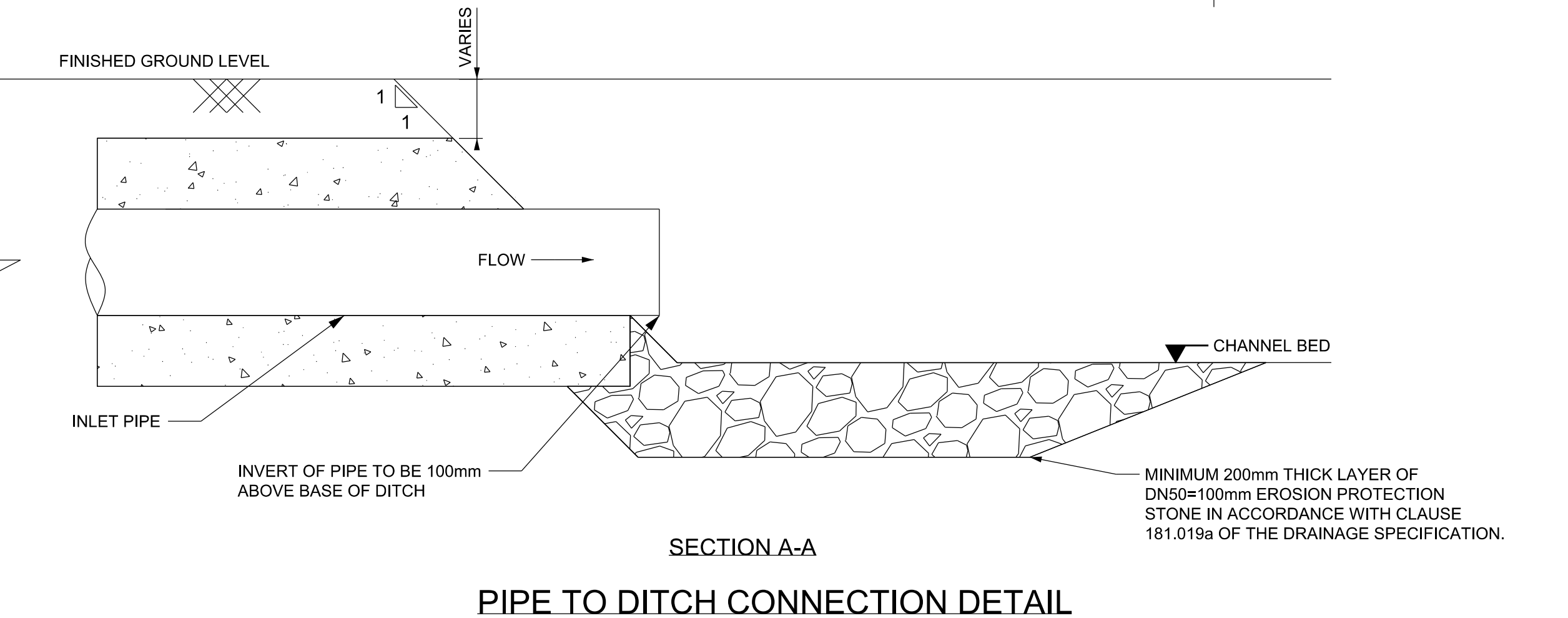
CARRIER PIPES D1, D2 & D3



SECTION A-A
PIPE TO DITCH CONNECTION DETAIL
1:10

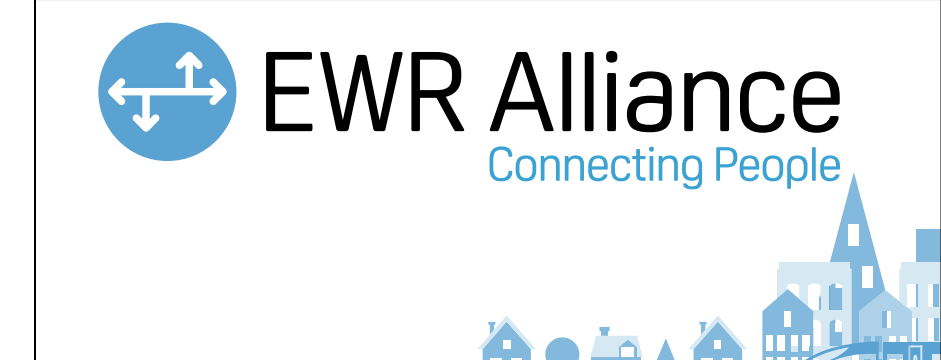


SECTION B-B
DITCH TO PIPE CONNECTION DETAIL
1:10



- NOTES
- THIS DRAWING IS NOT TO BE SCALED.
 - ALL DIMENSIONS ARE IN MILLIMETRES UNLESS OTHERWISE STATED.
 - ALL WORKS TO BE IN ACCORDANCE WITH DRAINAGE SPECIFICATION 133735_RW-EWR-XX-SP-DR-000001.
 - DRAWING TO BE READ IN CONJUNCTION WITH COMPOUND SPECIFIC GENERAL ARRANGEMENTS DRAWINGS, SCHEDULES AND SPECIFICATION 133735_RW-EWR-XX-SP-DR-000001.
 - NO SPOIL FROM DRAIN EXCAVATION TO BE PLACED WITHIN 1m OF TOP OF CUTTING CREST ON EARTHWORKS SLOPE.
 - DRAIN LAYING AND BACKFILLING SHOULD FOLLOW AS CLOSELY BEHIND THE TRENCH EXCAVATION AS PRACTICABLE.
 - ALL PIPE JOINTS TO BE IN ACCORDANCE WITH CLAUSE 182.005 OF THE DRAINAGE SPECIFICATION.
 - ALL PIPES TO BE LAID IN ACCORDANCE WITH THE INSTALLATION CLAUSES OF THE DRAINAGE SPECIFICATION (CLAUSES 185.012-185.031a).

Rev	Date	Description of Revisions	Desd	Chkd	Appr	Suitability
B01	28/02/20	For Consent				
Status						S2



Project
East West Rail (Western Section) Phase 2

Drawing Title
Civil Engineering Drainage Standard Details Pipes

Designed	Megha Korgal	Signed	M. Korgal	Date	27/02/20
Drawn	Sreeni Ramachandra Nair	Signed	S. R. Nair	Date	26/04/19
Checked	Mark Stevens	Signed	M. Stevens	Date	28/02/20
Approved	Adrian Rose	Signed	A. Rose	Date	28/02/20
Scale(s)	ELR - Project Chainage (Miles Yards)				
Scale	XX - ALL				
Design Package Risk Classification	Normal				Sheet
Alternative Reference					Revision
Drawing Number	133735_RW-EWR-XX-ALL-DR-DH-050002				B01