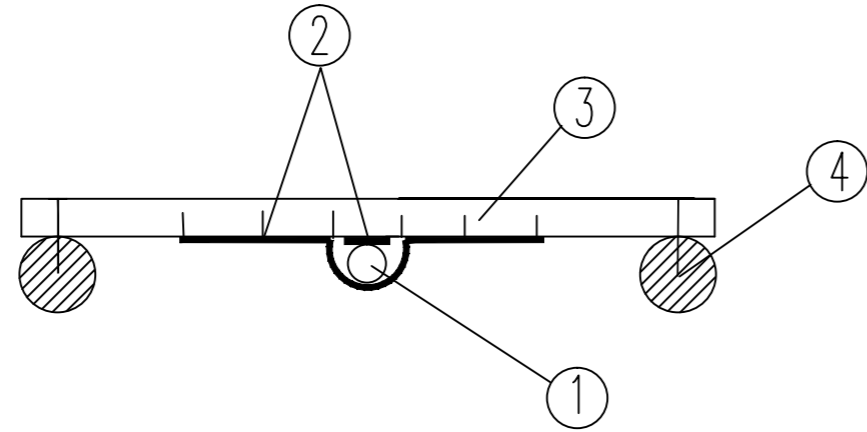
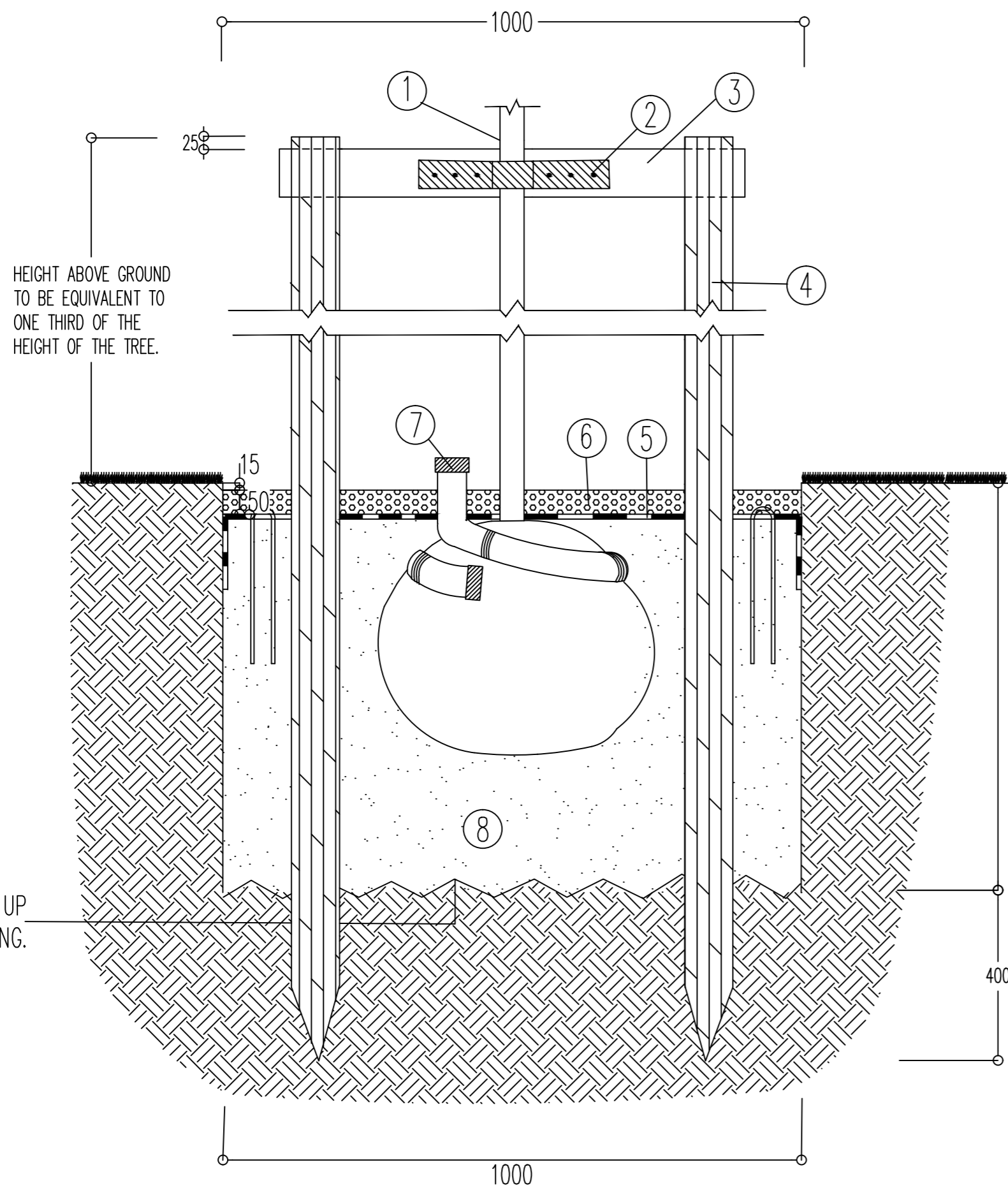


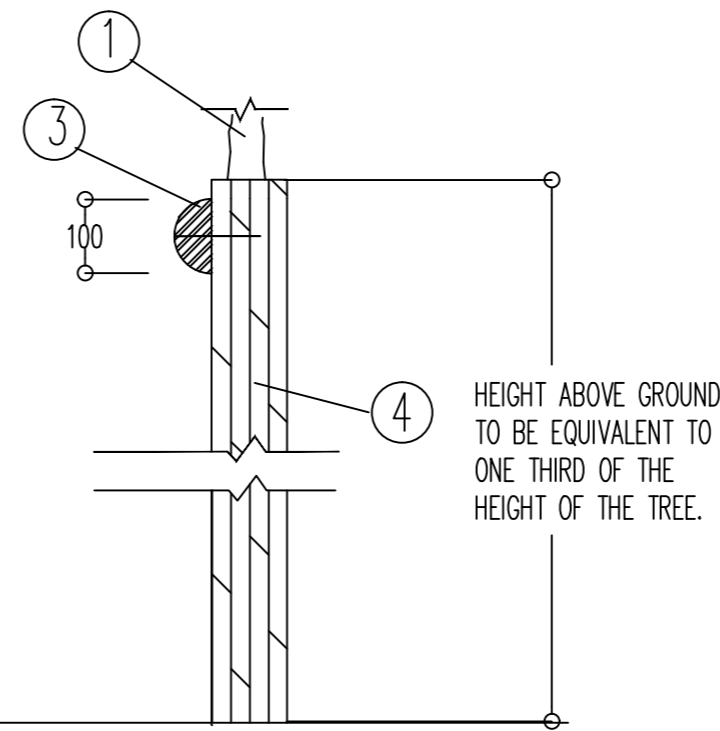
Plan View



Tree Pit – Standard Tree



Elevation



NOTES: -

- ① STANDARD TREE WITH LEADER. FOR SPECIES AND SPECIFICATION REFER TO SOFTWARES PLAN, JBA 11/271-02.
- ② BIODEGRADABLE SACK CLOTH TIE AND SPACING DEVICE NAILED TO CROSS BRACE WITH GALVANISED NAILS.
- ③ CROSS BRACE, 100mm DIAMETER, SECURED TO BOTH STAKES.
- ④ TIMBER STAKES, 2No, 2400 x 100mm DIAMETER, TO BE SECURELY DRIVEN INTO FIRM SUBGRADE, WITH HALF ROUND CROSS BRACE SECURELY NAILED TO THE STAKES. ENSURE IT IS SUFFICIENTLY AWAY FROM ROOTBALL TO PREVENT ROOT DAMAGE.
- ⑤ "COVERTEX" AVAILABLE FROM HY-TEX UK LTD (TEL. 01422-720097). 1.2m SQUARE CUT AROUND TREE STEM AND WATER PIPE. TO BE PEGGED IN AT 300mm CENTRES WITH HYTEX METAL HOOPS, 300mm LONG, OR WITH WOODEN PEGS DEPENDING UPON GROUND CONDITIONS.
- ⑥ "COARSE GRADED FREE-OF-FINES LARGE WOOD CHIP MULCH" (AVAILABLE FROM EDWARDS OF BRANDON. TEL: (01842) 813555) TO A DEPTH OF 50mm AROUND BASE OF TREE, RECESSED 15mm BELOW GRASS LEVEL, RADIUS TO MATCH PIT SIZE.
- ⑦ PERFORATED PVC WATERING PIPE (60mm DIAMETER) INCLUDING END CAPS. TO BE WRAPPED IN "COVERTEX" MEMBRANE. TO BE COILED HORIZONTALLY, AROUND TOP OF ROOTBALL WITH OPEN END AS CLOSE TO THE TRUNK AS POSSIBLE, WITH CAP ON END TO ENSURE EVEN DISTRIBUTION OF WATER.
- ⑧ TREE PIT (UNLESS DIFFERENT DIMENSIONS ARE SPECIFIED IN THE APPROPRIATE MEASURED WORKS SCHEDULE DOCUMENT):
 1000 x 1000 x 850mm FOR A STANDARD TREE
 1000 x 1000 x 900mm FOR A HEAVY STANDARD TREE
 PIT TO BE FILLED WITH EXISTING OR IMPORTED TOPSOIL TO B.S. 3882:2007 AS NECESSARY AND SPECIFIED. ENSURE FINISHED LEVELS OF TOP SOIL ARE 65mm BELOW THE TOP OF PIT. ENSURE BASE AND SIDES OF PIT ARE FORKED OVER TO ENSURE ADEQUATE DRAINAGE. AMELIORATE SOIL WITH 30 LITRES OF NON-PEAT BASED COMPOST PER LINEAR METRE AND 150G OF "NEUTROCOTE" SLOW RELEASE FERTILIZER INCORPORATED INTO TOP 100mm OF TOPSOIL.

GENERAL NOTES: -


- DURING EXCAVATION OF TREE PIT, THE TOPSOIL AND SUBSOIL ARE TO BE STACKED SEPARATELY. ANY WEED GROWTH SHOULD BE SPRAYED BY A SKILLED AND QUALIFIED OPERATIVE IN ACCORDANCE WITH THE "CONTROL OF PESTICIDE (AMENDMENT) REGULATIONS" 1997 AND 2003 "COSH REGULATIONS" AND PRODUCT COSHH SHEET, WITH A SUITABLE TRANSLOCATED SYSTEMIC HERBICIDE IN CALM WEATHER CONDITIONS.
- ALL VEGETATIVE MATERIAL, LITTER AND OTHER DEBRIS IS TO BE REMOVED AND THE BOTTOM AND SIDES OF THE TREE PIT MUST BE FORKED OVER TO ENSURE ADEQUATE DRAINAGE BEFORE BACKFILLING THE TREE PIT.
- INCORPORATE 150g OF FISON'S "NEUTROCOTE" SLOW RELEASE FERTILISER AS PER THE MANUFACTURERS INSTRUCTIONS. APPLY 30 LITRES OF NON-PEAT BASED COMPOST TO THE BACKFILL, MIXED AROUND THE ROOTBALL.
- WATER IN WITH 50 LITRES OF WATER PER PLANT.
- ALL TIMBER TO BE ACQ TREATED TO BS4072 PART 1
- DO NOT SCALE FROM THIS DRAWING
- ALL DIMENSIONS ARE IN MILLIMETRES
- ALL DIMENSIONS ARE TO BE CHECKED ON SITE

(C) JAMES BLAKE ASSOCIATES, 2012

REV.	DATE	INITIALS	DETAILS

CLIENT WHITBREAD		DWG. TITLE TYPICAL STANDARD TREE PIT WITHIN SOFT LANDSCAPING DETAIL	
SITE BICESTER			
DRG BY SW	CHECKED JBA	AUTH'D JBA	SCALE 1:10@A2
DATE JUNE 2012		DWG NO. JBA 11/271-DT1	REV.

HEAD OFFICE
The Black Barn, Hall Road, Lavenham, Suffolk, CO10 9QX
Tel: (01787) 248216 Fax: (01787) 247264
jamesblake@jba-landmarc.com
www.jba-landmarc.com



LANDSCAPE ARCHITECTURE
ARBORICULTURE o ECOLOGY