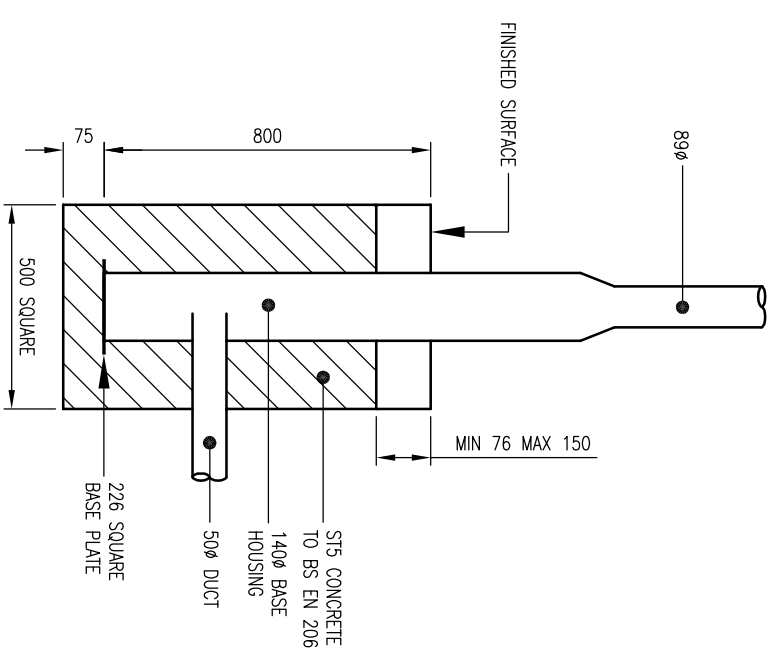
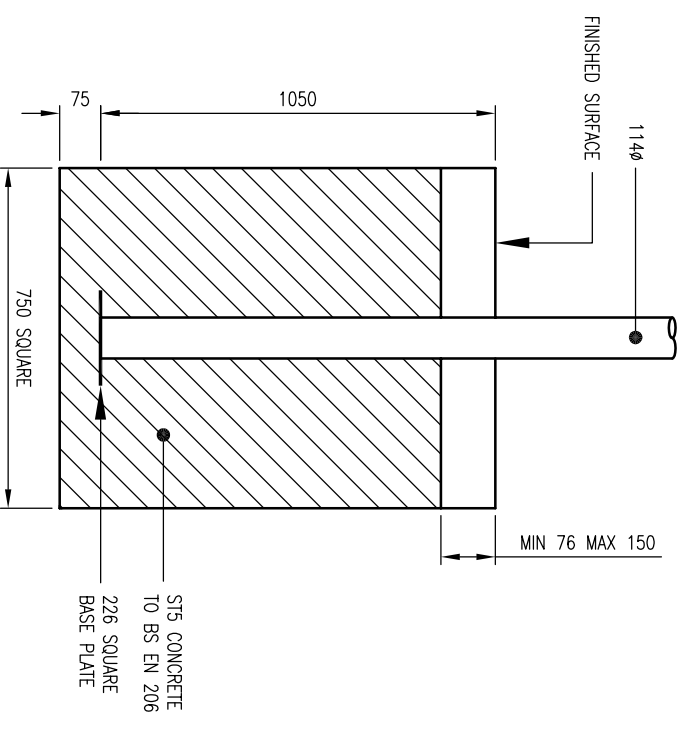


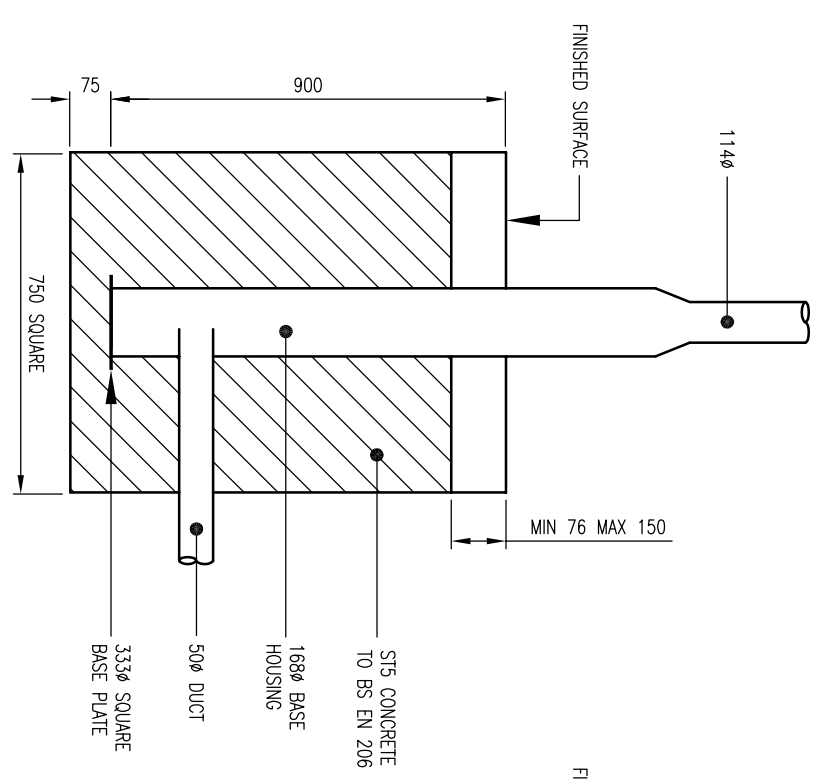
TYPE B STRAIGHT



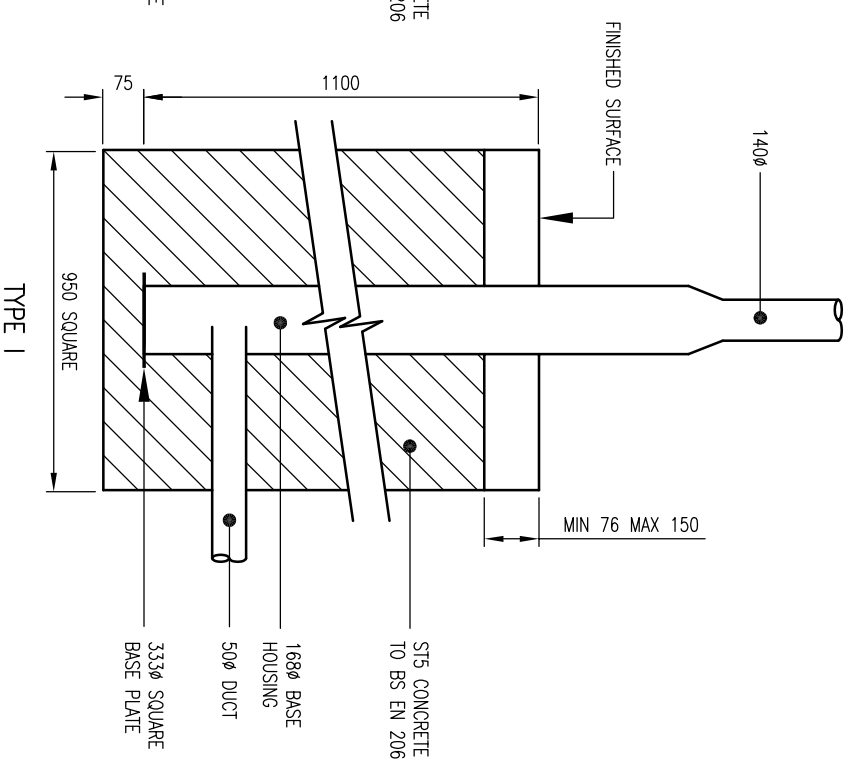
TYPE G LARGE BASED



TUBULAR SECTION POSTS
TYPE C



TUBULAR SECTION POSTS WITH BASE HOUSING
TYPE H



TYPE I

CONCRETE BASES FOR SIGN POSTS AND BOLLARDS

NOTES:

DO NOT SCALE

1. ALL DIMENSIONS ARE IN MILLIMETRES UNLESS OTHERWISE STATED.
2. ALL CLAUSE NUMBERS REFER TO THE SPECIFICATION FOR HIGHWAY WORKS, LATEST EDITION.
3. LOCATION OF SIGNING SHALL BE WITHIN THE ADOPTED HIGHWAY. EXACT LOCATIONS SHALL BE AGREED WITH THE ENGINEER ON SITE PRIOR TO PREPARATION OF FOUNDATIONS/EXCAVATIONS AND SIGN ERECTION.
4. PRIOR TO PLACING THE CONCRETE THE CONTRACTOR SHALL ENSURE THAT SIGN POSTS ARE VERTICAL AND CORRECTLY ORIENTATED.
5. ALL CONCRETE AND CONCRETE PRODUCTS BELOW GROUND LEVEL TO BE CLASS DS-1 IN ACCORDANCE WITH BRE SPECIAL DIGEST 1.
6. ALL CONCRETE BASES FOR SIGN POSTS & BOLLARDS TO BE CONSTRUCTED IN ACCORDANCE WITH BS 873 PART 7.
8. SIGN FOOTINGS TO BE DETERMINED BY DESIGN (AUTOSIGN) DEPENDANT ON SIGN FACE DIMENSIONS.
9. POSTS 114mm DIAMETER OR GREATER TO BE PASSIVELY SAFE

REV	DATE	BY	DESCRIPTION	CHK	APP
B	18/10/02	JH	OCC COMMENTS INCORPORATED	JAW	GH
A	12/12/08	JH	INITIAL ISSUE	JAW	GH

DRAWING STATUS
FOR TECHNICAL APPROVAL



Mountbatten House, Basing View, Basingstoke, Hampshire RG21 4HJ
Tel: +44 (0)1256 318800 Fax: +44 (0)1256 318700
<http://www.wspgroup.com>

CLIENT: COUNTRYSIDE PROPERTIES

ARCHITECT: SOUTH WEST BICESTER BICESTER, OXFORDSHIRE

PROJECT: ON SITE WORKS

TITLE: CONCRETE BASES FOR SIGN POSTS & BOLLARDS

SCALE @ A3:	CHECKED:	APPROVED:
N.T.S.	GH	GH

CAD FILE:	DESIGN DRAWING:	DATE:
1903-SD-218.DWG	PJ	18.02.10

PROJECT No: 11011903 DRAWING No: 1903/SD/218 REF: B
© WSP Group plc