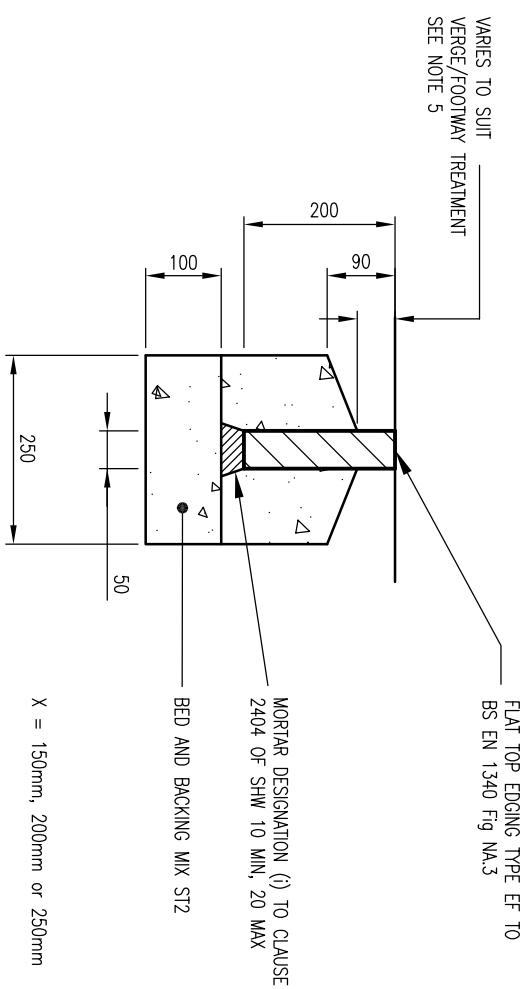
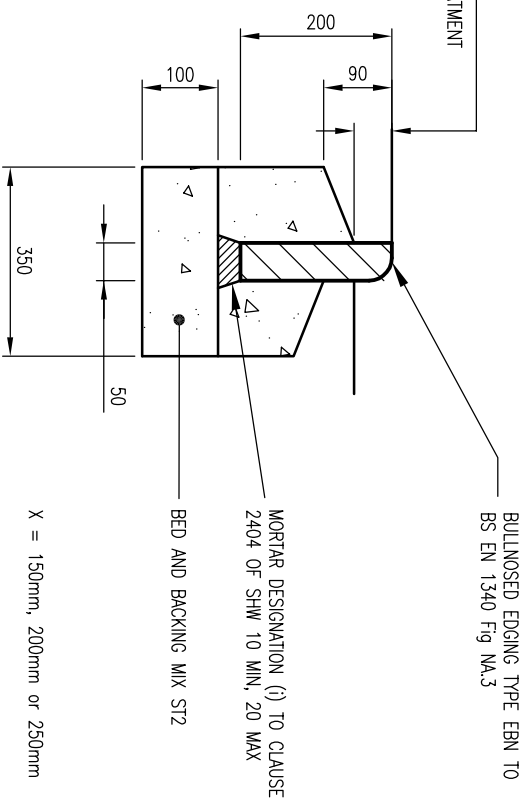


ROUND TOP EDGING TYPE ER



FLAT TOP EDGING TYPE EF



BULLNOSED EDGING TYPE EBN

**DO NOT SCALE**

NOTES:

1. ALL DIMENSIONS ARE IN MILLIMETRES UNLESS OTHERWISE STATED.
2. ALL CLAUSE NUMBERS REFER TO THE SPECIFICATION FOR HIGHWAY WORKS (SHW), LATEST EDITION.
3. ALL PRECAST CONCRETE UNITS ARE TO CONFORM TO AND BE LAID IN ACCORDANCE WITH CL.1101 OF THE SPECIFICATION FOR HIGHWAY WORKS LATEST EDITION.
4. KERB, BED AND BACKING SHALL BE ST2 GRADE CONCRETE TO CL.2602 OF THE SHW, LATEST EDITION.
5. TO BE 30mm WHEN ADJACENT TO THE GRASSED VERGE, AND 30mm PLUS THE DEPTH OF THE PAVING STONE WHEN ADJACENT TO PAVING STONES.
6. MECHANICAL HANDLING OF HEAVY ITEMS IS RECOMMENDED

TYPICAL WEIGHTS:  
STANDARD PCC HB2 KERBS 69KG  
CONSERVATION KERB 83KG  
STANDARD PCC EDGING 45KG

REV	DATE	BY	DESCRIPTION	CHK	APP
D	18/02/10	JH	OCC COMMENTS INCORPORATED	JMH	JH
C	03/12/08	JH	ISSUED FOR TECHNICAL APPROVAL	JMH	JH
B	28/05/08	DP	MINOR AMENDMENTS	JMH	JMH
A	17/09/07	DAH	FIRST ISSUE	JMH	JJP

**FOR TECHNICAL APPROVAL**



Mountbatten House, Basing View, Basingstoke, Hampshire RG21 4HU  
Tel: +44 (0)1256 318800 Fax: +44 (0)1256 318700  
<http://www.wspgroup.com>

**COUNTRYSIDE PROPERTIES**

ARCHITECT:

PROJECT:

SOUTH WEST BICESTER  
BICESTER, OXFORDSHIRE

TITLE:

KERBS TYPES SHEET 3 OF 3

SCALE @ A3	CHECKED:	APPROVED:
N.T.S.	JMH	JJP

CAD FILE	DESIGN/DRAWN:	DATE:
1903-SD-006.DWG	DAH	September 2007

PROJECT No:	DRAWING No:	REV:
11011903	1903/SD/006	D