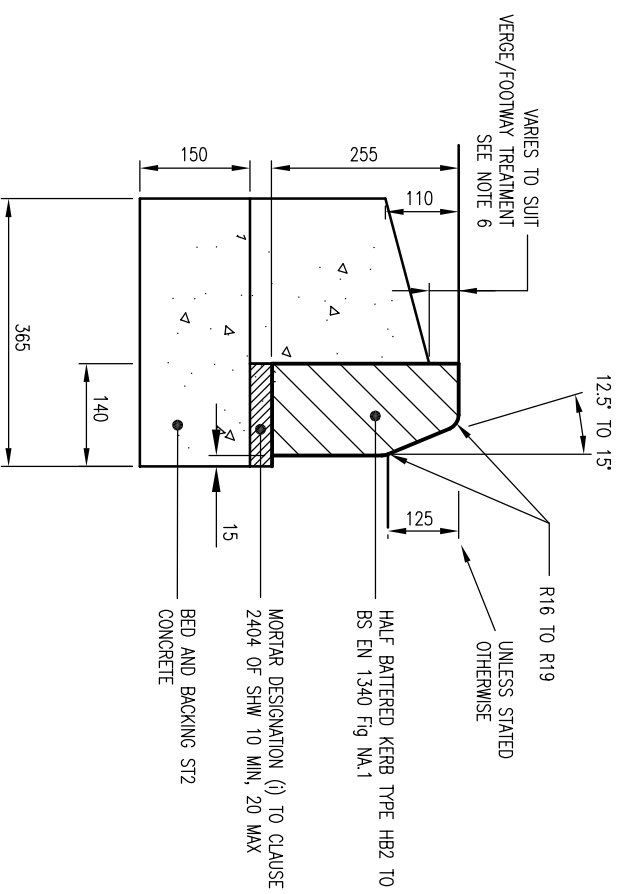
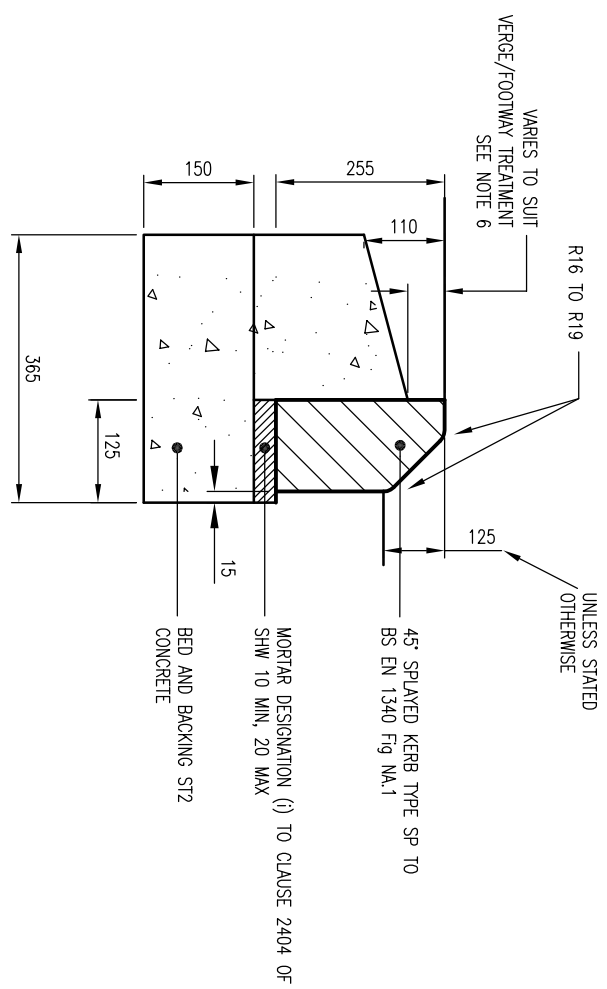


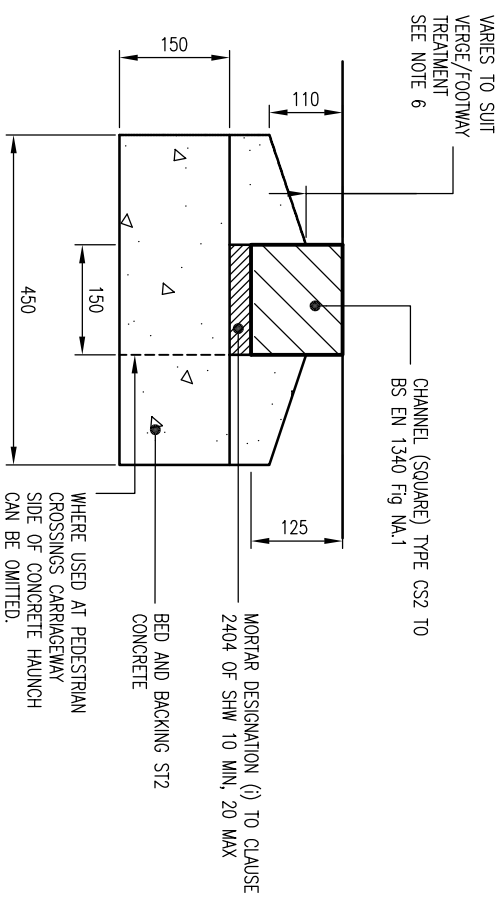
BULLNOSED KERB TYPE BN



HALF BATTERED KERB TYPE HB2



45° SPLOYED KERB TYPE SP



CHANNEL (SQUARE) TYPE CS2

DO NOT SCALE

- NOTES:
1. ALL DIMENSIONS ARE IN MILLIMETRES UNLESS OTHERWISE STATED.
 2. ALL CLAUSE NUMBERS REFER TO THE SPECIFICATION FOR HIGHWAY WORKS (SHW), LATEST EDITION.
 3. ALL PRECAST CONCRETE UNITS ARE TO CONFORM TO AND BE LAID IN ACCORDANCE WITH CL.1101 OF THE SPECIFICATION FOR HIGHWAY WORKS LATEST EDITION.
 4. KERB, BED AND BACKING SHALL BE ST2 GRADE CONCRETE TO CL.2602 OF THE SHW, LATEST EDITION.
 5. CONSERVATION KERB FACE (CK) TO BE 180mm HIGH UNLESS OTHERWISE INDICATED.
 6. TO BE 30mm WHEN ADJACENT TO THE GRASSED VERGE, AND 30mm PLUS THE DEPTH OF THE PAVING STONE WHEN ADJACENT TO PAVING STONES.
 7. MECHANICAL HANDLING OF HEAVY ITEMS IS RECOMMENDED
- TYPICAL WEIGHTS:
 STANDARD PCC HB2 KERBS 69KG
 CONSERVATION KERB 83KG
 STANDARD PCC EDGING 45KG

REV	DATE	BY	DESCRIPTION	CHK	APP
D	18/02/10	JH	OCC COMMENTS INCORPORATED	MW	JH
C	03/12/08	JH	ISSUED FOR TECHNICAL APPROVAL	JAM	JH
B	30/05/08	JH	MINOR AMENDMENTS	LH	JM
A	11/03/08	JH	FIRST ISSUE	LH	JM

DRAWING STATUS:
FOR TECHNICAL APPROVAL



Mountbatten House, Basing View, Basingstoke, Hampshire RG21 4HJ
 Tel: +44 (0)1256 318800 Fax: +44 (0)1256 318700
<http://www.wspgroup.com>

CLIENT:
COUNTRYSIDE PROPERTIES

ARCHITECT:

PROJECT:
**SOUTH WEST BICESTER
 BICESTER, OXFORDSHIRE**

TITLE:
**ON SITE WORKS
 KERB TYPES SHEET 1 OF 2**

SCALE @ A3:
N.T.S

CHECKED:	LH	APPROVED:	JM
DATE:	January 2008		

PROJECT No:	11011903	DRAWING No:	1903/SD/210	REV:	D
-------------	----------	-------------	-------------	------	---