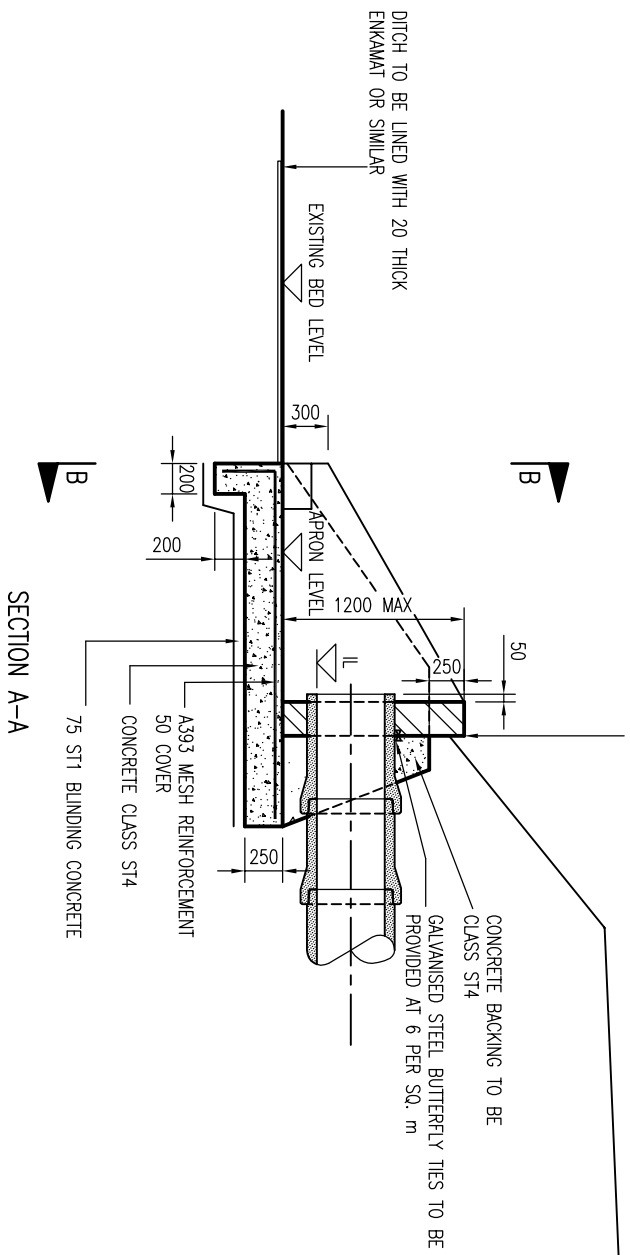
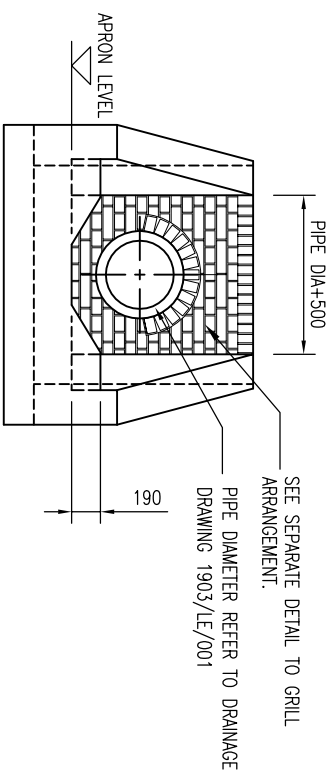


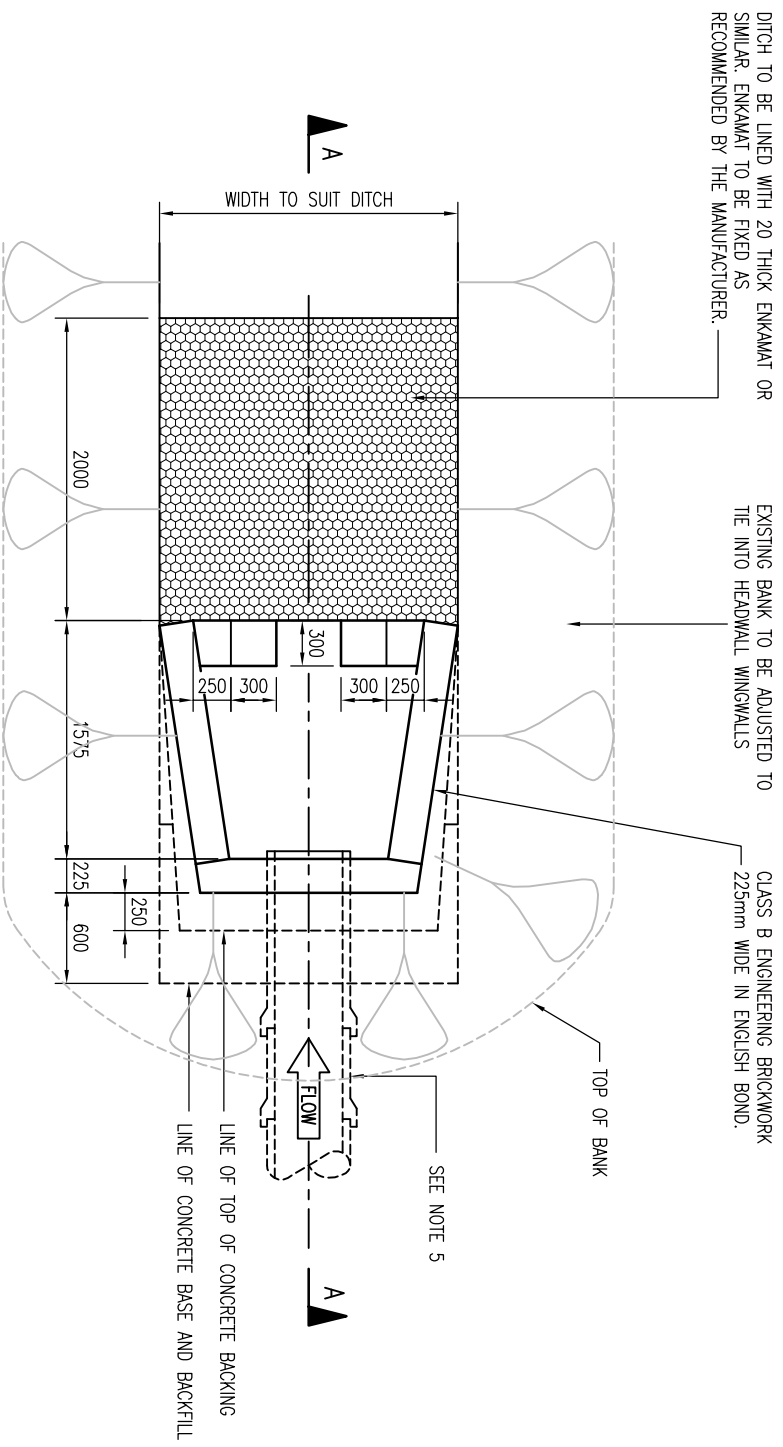
CLASS B ENGINEERING BRICKWORK 215 WIDE IN ENGLISH BOND, WITH BRICK ON EDGE COPING. RAMSHORN GRAPPS TO BE USED TO HOLD END OF TOP COURSE IN POSITION



SECTION A-A



SECTION B-B



PLAN

NOTES

DO NOT SCALE

1. THIS DRAWING IS TO BE READ IN CONJUNCTION WITH ALL OTHER RELEVANT SCHEME DRAWINGS AND SPECIFICATIONS.
2. ALL DIMENSIONS ARE IN MILLIMETRES UNLESS OTHERWISE STATED.
3. ENKAMAT BANK PROTECTION TO BE INSTALLED TO MANUFACTURERS RECOMMENDATIONS. ENKAMAT IS MANUFACTURED BY MMG.
4. FOR APRON AND INVERT LEVELS REFER TO DRAINAGE DRAWING 1903/LE/001
5. A FLEXIBLE JOINT SHALL BE PROVIDED AS CLOSE AS POSSIBLE TO THE HEADWALL IN THE FORM OF A ROCKER PIPE. FOR OUTFALL PIPE DIAMETERS UP TO 600 AND 750, THE EFFECTIVE LENGTH OF ROCKER PIPES ARE TO BE 600 AND 1000 RESPECTIVELY.
6. REFER TO STANDARD DETAIL 1903/SD/014 (DRAINAGE NOTES)

REV	DATE	BY	DESCRIPTION	CHK	APP
C	03/12/08	JH	ISSUED FOR TECHNICAL APPROVAL	JM	DP
B	28/05/08	DP	MINOR AMENDMENTS	JM	JM
A	17/09/07	DAH	FIRST ISSUE	JM	JPP

FOR TECHNICAL APPROVAL



Mountbatten House, Basing View, Basingstoke, Hampshire RG21 4HU
 Tel: +44 (0)1256 318800 Fax: +44 (0)1256 318700
<http://www.wspgroup.com>

COUNTRYSIDE PROPERTIES

CLIENT: COUNTRYSIDE PROPERTIES
 ARCHITECT: SOUTH WEST BICESTER BICESTER, OXFORDSHIRE

PROJECT: SOUTH WEST BICESTER BICESTER, OXFORDSHIRE
 TITLE: SECTION 278 WORKS HEADWALL TYPE 2

SCALE @ A3	CHECKED:	APPROVED:
N.T.S.	JM	JDP
CAD FILE: 1903-SD-016.DWG	DESIGN/DRAWN: DAH	DATE: September 2007
PROJECT No: 11011903	DRAWING No: 1903/SD/016	REV: C