

DO NOT SCALE

NOTES

1. ALL DIMENSIONS IN MILLIMETRES UNLESS OTHERWISE STATED.
2. WHEN THE COVER FROM THE TOP OF THE GULLY CONNECTION TO FINISHED LEVEL IS LESS THAN 1200 WITHIN THE CARRAGEWAY AND 900 IN THE VERGE, THEN A CONCRETE ST4 150 BED AND SURROUND SHOULD BE PROVIDED TO THE GULLY CONNECTIONS.
3. GULLIES AND CONNECTIONS TO BE IN ACCORDANCE WITH CL 508.3
4. ALL GULLY FRAMES TO INCORPORATE A NON-ROCK FEATURE.
5. GULLY GRATING TO BE SET 15mm BELOW FINISHED CARRAGEWAY LEVEL AT THE BACK AND SET 5mm BELOW FINISHED LEVEL AT THE FRONT.

REV	DATE	BY	DESCRIPTION	CHK	APP
D	18/02/10	JH	OCC COMMENTS INCORPORATED	JMM	JH
C	03/12/08	JH	ISSUED FOR TECHNICAL APPROVAL	JMM	JH
B	28/05/08	DP	MINOR AMENDMENTS	JM	JM
A	17/09/07	DAH	FIRST ISSUE	JM	JPP

FOR TECHNICAL APPROVAL



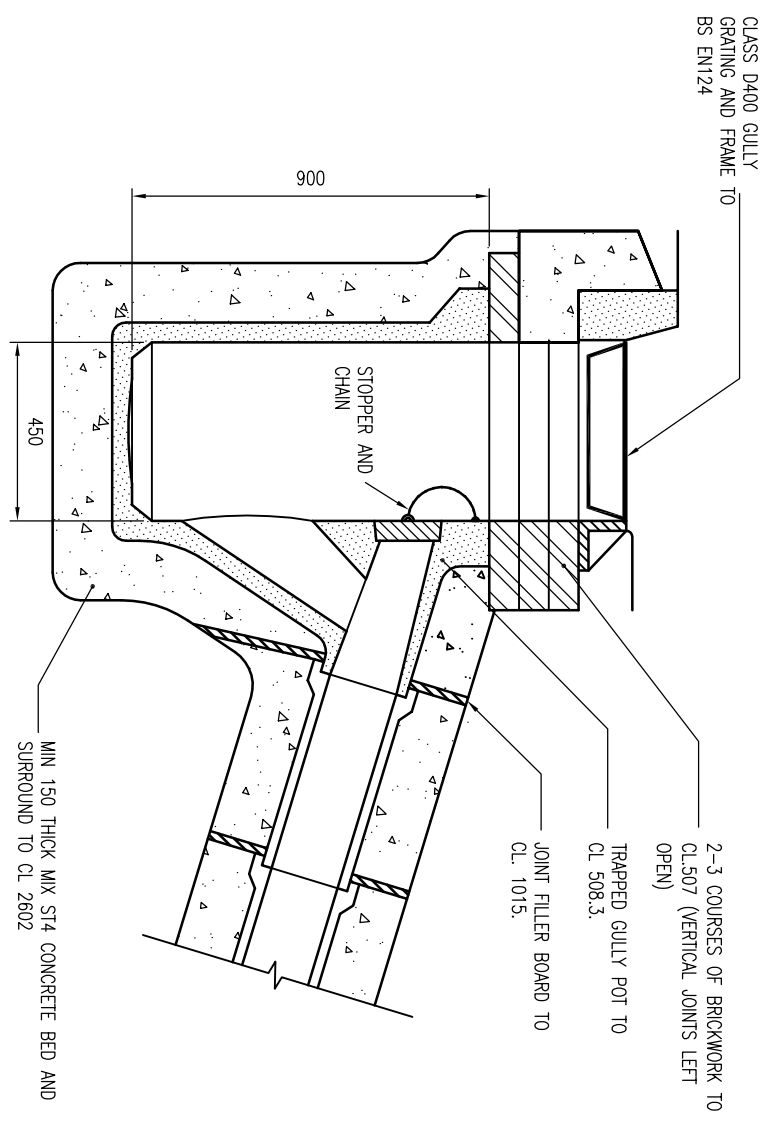
Mountbatten House, Basing View, Basingstoke, Hampshire RG21 4HU
 Tel: +44 (0)1256 318800 Fax: +44 (0)1256 318700
<http://www.wspgroup.com>

COUNTRYSIDE PROPERTIES

PROJECT: SOUTH WEST BICESTER
 BICESTER, OXFORDSHIRE

TITLE: TRAPPED GULLY

SCALE @ A3	CHECKED:	APPROVED:
N.T.S.	JM	JDP
CAD FILE:	DESIGN/DRAWN:	DATE:
1903-SD-015.DWG	DAH	September 2007
PROJECT No:	DRAWING No:	REV:
11011903	1903/SD/015	D



TRAPPED GULLY WITH
 SPIGOT OUTLET