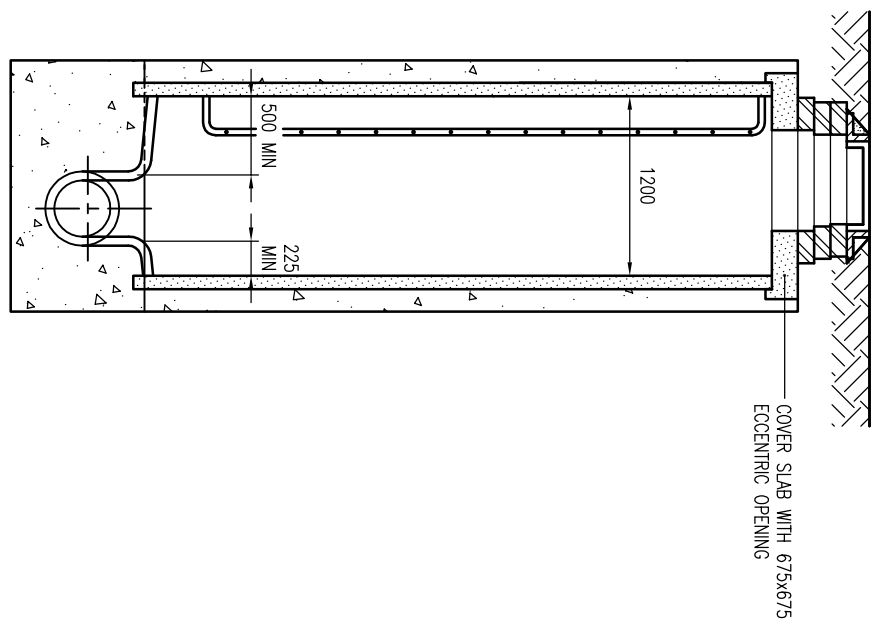
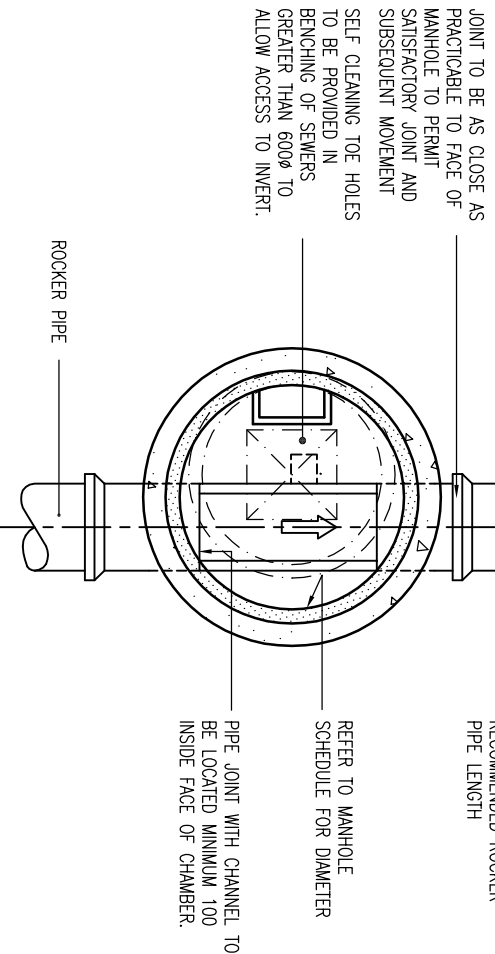


PIPE DIAMETER 375mm AND OVER SECTION



PIPE DIAMETER UNDER 375mm SECTION



PLAN ON A-A

ROCKER PIPE LENGTHS

NOMINAL DIAMETER (mm)	EFFECTIVE LENGTH (mm)
150-600	600
601-750	1000
OVER 750	1250

DO NOT SCALE

NOTES

- ALL DIMENSIONS ARE IN MILLIMETRES UNLESS OTHERWISE STATED.
- REFER TO STANDARD DETAIL 1903/SD/100 (DRAINAGE NOTES)

REV	DATE	BY	DESCRIPTION	CHK	APP
B	03/12/08	JH	ISSUED FOR TECHNICAL APPROVAL	JM	JH
A	30/05/08	PJ	FIRST ISSUE	LH	JM

FOR TECHNICAL APPROVAL



Mountbatten House, Basing View, Basingstoke, Hampshire RG21 4HU
 Tel: +44 (0)1256 318800 Fax: +44 (0)1256 318700
<http://www.wspgroup.com>

COUNTRYSIDE PROPERTIES

PROJECT: SOUTH WEST BICESTER
 BICESTER, OXFORDSHIRE

TITLE: ON SITE WORKS
 TYPICAL MANHOLE DETAIL TYPE A
 DEPTH TO SOFFIT 3m - 6m

SCALE @ A3: 1:25

DESIGNER: LH
 CHECKED: LH
 APPROVED: JM

PROJECT No: 11011903
 DRAWING No: 1903/SD/103
 DATE: January 2008
 REV: B