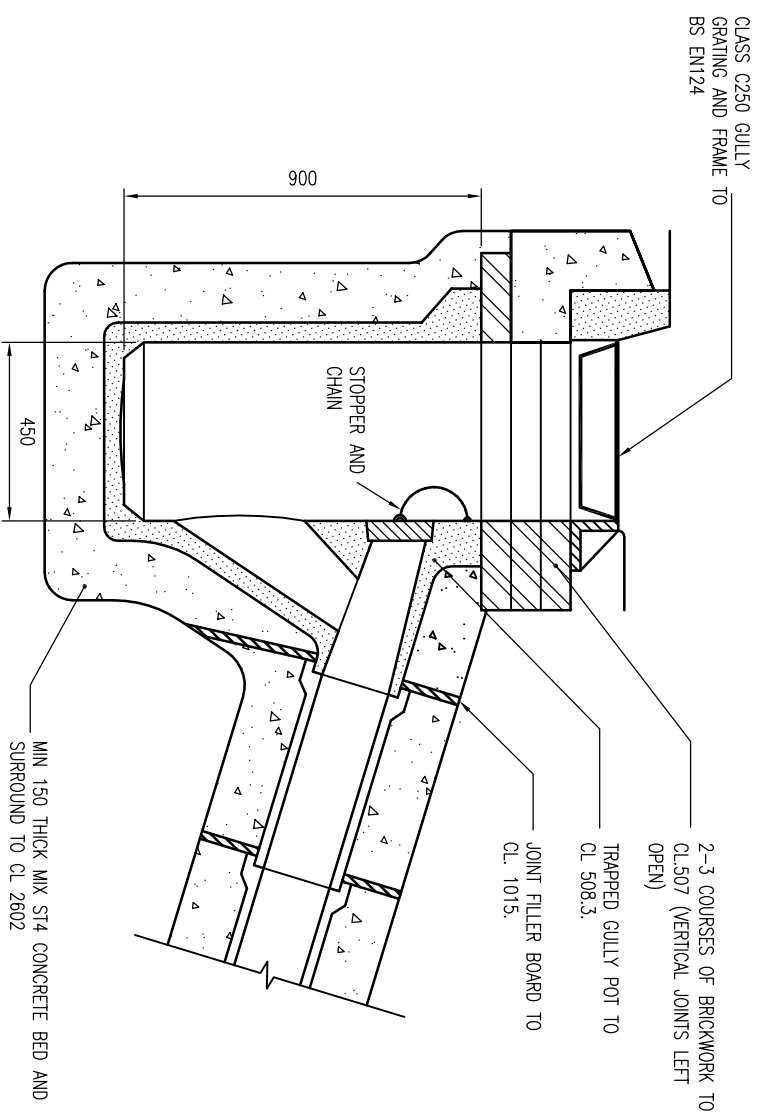


DO NOT SCALE

NOTES

1. ALL DIMENSIONS IN MILLIMETRES UNLESS OTHERWISE STATED.
2. WHEN THE COVER FROM THE TOP OF THE GULLY CONNECTION TO FINISHED LEVEL IS LESS THAN 1200 WITHIN THE CARRIAGEWAY AND 900 IN THE VERGE, THEN A CLASS Z 150 BED AND SURROUND SHOULD BE PROVIDED TO THE GULLY CONNECTIONS.
3. GULLIES AND CONNECTIONS TO BE IN ACCORDANCE WITH CL 508.3



TRAPPED GULLY WITH SPIGOT OUTLET

| REV | DATE | BY | DESCRIPTION | CHK | APP |
|-----|----------|----|-------------------------------|-----|-----|
| B | 03/12/08 | JH | ISSUED FOR TECHNICAL APPROVAL | JHM | JH |
| A | 30/05/08 | PJ | FIRST ISSUE | LH | JM |

FOR TECHNICAL APPROVAL



Mountbatten House, Basing View, Basingstoke, Hampshire RG21 4HU
 Tel: +44 (0)1256 318800 Fax: +44 (0)1256 318700
<http://www.wspgroup.com>

COUNTRYSIDE PROPERTIES

CLIENT:

ARCHITECT:

**SOUTH WEST BICESTER
 BICESTER, OXFORDSHIRE**

**ON SITE WORKS
 TRAPPED ROAD GULLY POT DETAIL**

TITLE:

| | | |
|------------|----------|-----------|
| SCALE @ A3 | CHECKED: | APPROVED: |
| 1:20 | LH | JM |

| | | |
|-------------|---------------|--------------|
| DAO FILE: | DESIGN/DRAWN: | DATE: |
| 1903-SD-102 | PJ | January 2008 |

| | | |
|-------------|-------------|------|
| PROJECT No: | DRAWING No: | REV: |
| 11011903 | 1903/SD/102 | B |

© WSP Group plc

ALL CLAUSE NUMBERS REFER TO SPECIFICATIONS FOR HIGHWAY WORKS.