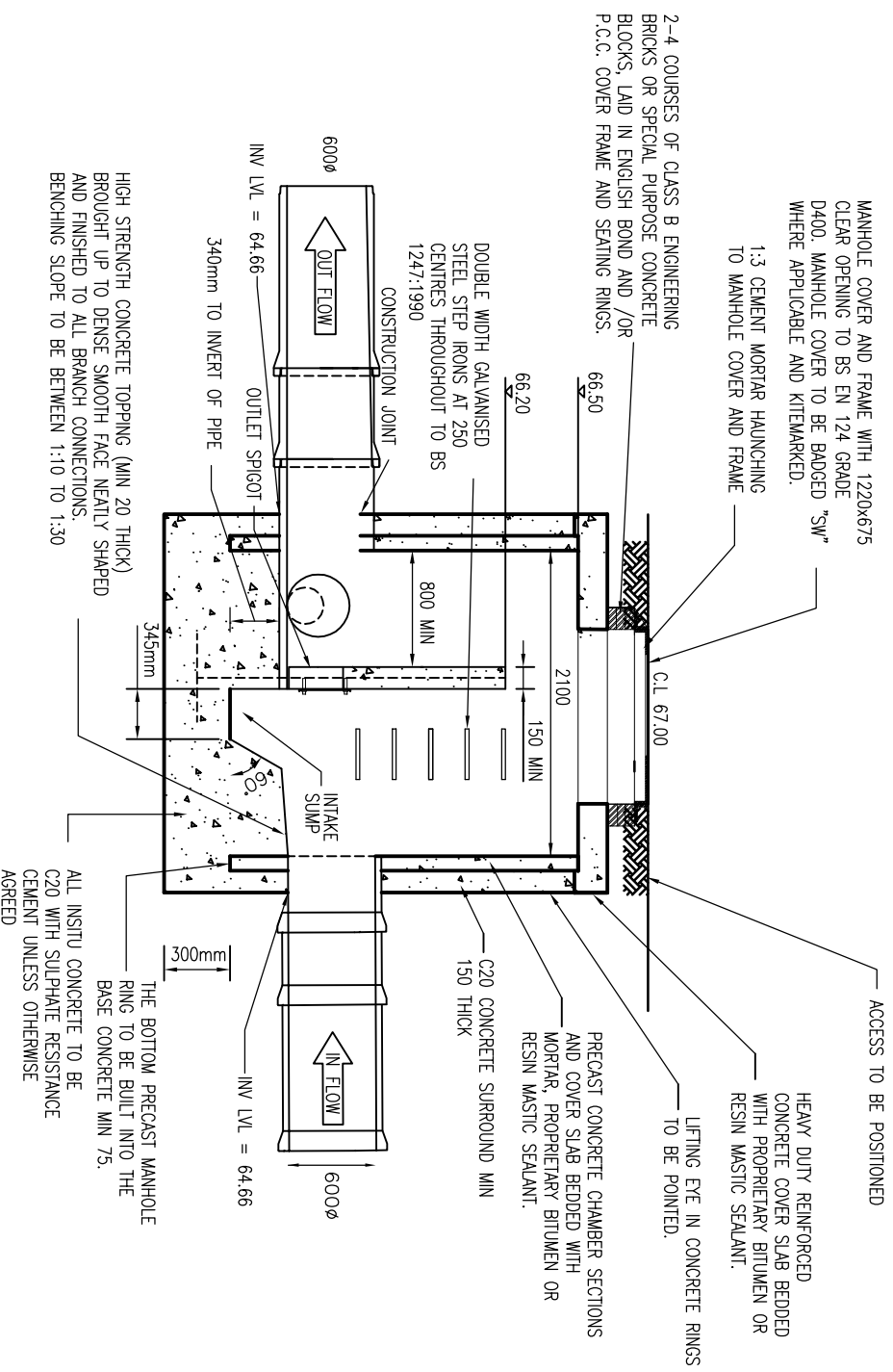
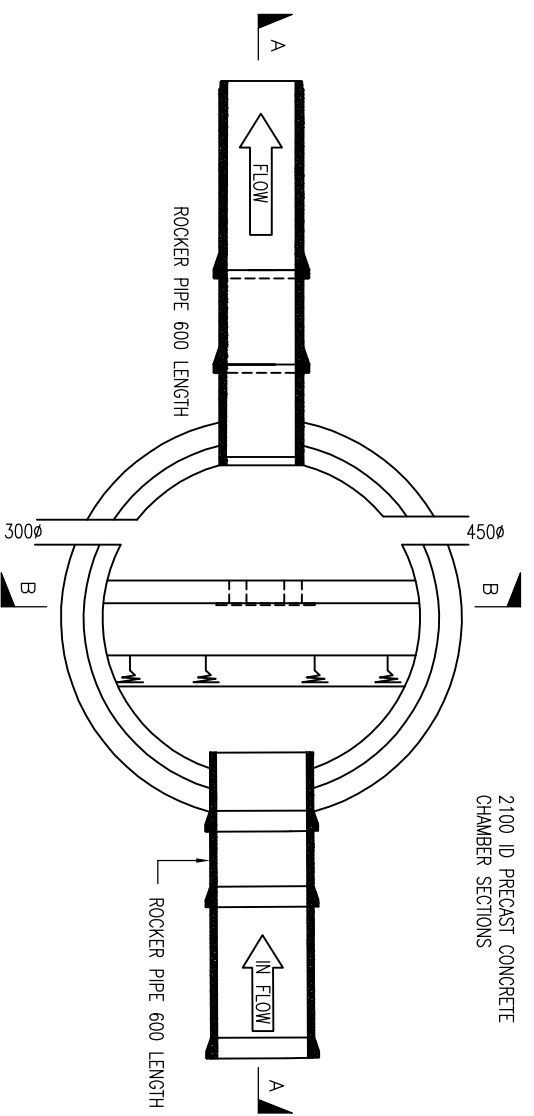


**DO NOT SCALE**

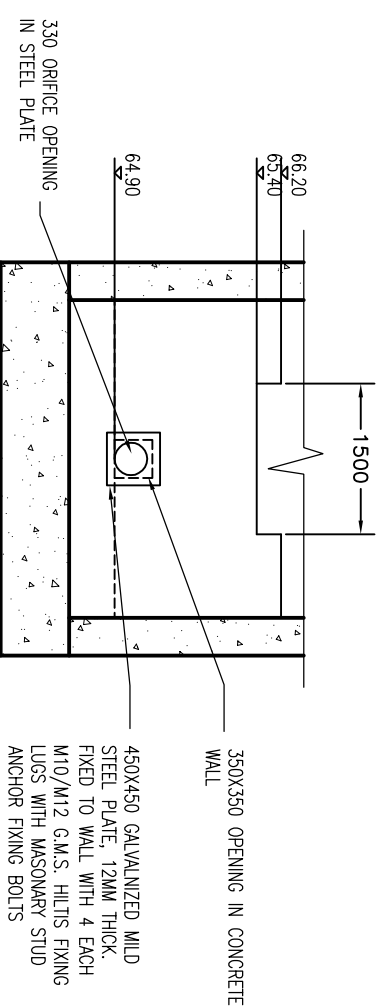
- NOTES
1. ALL DIMENSIONS IN MILLIMETRES UNLESS OTHERWISE STATED.



SECTION A - A



PLAN FLOW CONTROL MANHOLE



SECTION B - B

REV	DATE	BY	DESCRIPTION	CHK	APP
A	05/12/08	JH	ISSUED FOR TECHNICAL APPROVAL	JAM	JH

FOR TECHNICAL APPROVAL



Mountbatten House, Basing View, Basingstoke, Hampshire RG21 4HU  
 Tel: +44 (0)1256 318800 Fax: +44 (0)1256 318700  
<http://www.wspgroup.com>

COUNTRYSIDE PROPERTIES

ARCHITECT:

PROJECT:

SOUTH WEST BICESTER  
 BICESTER, OXFORDSHIRE

TITLE:  
 ONSITE WORKS  
 SOUTH POND  
 FLOW CONTROL MANHOLE

SCALE @ A3

1:50

CHECKED: JAM

APPROVED: GH

CAD FILE: 1903-SD-122

DESIGN/DRAWN: JH

DATE: Dec-08

PROJECT No: 11011903

DRAWING No: 1903/SD/122

REV: A

© WSP Group plc