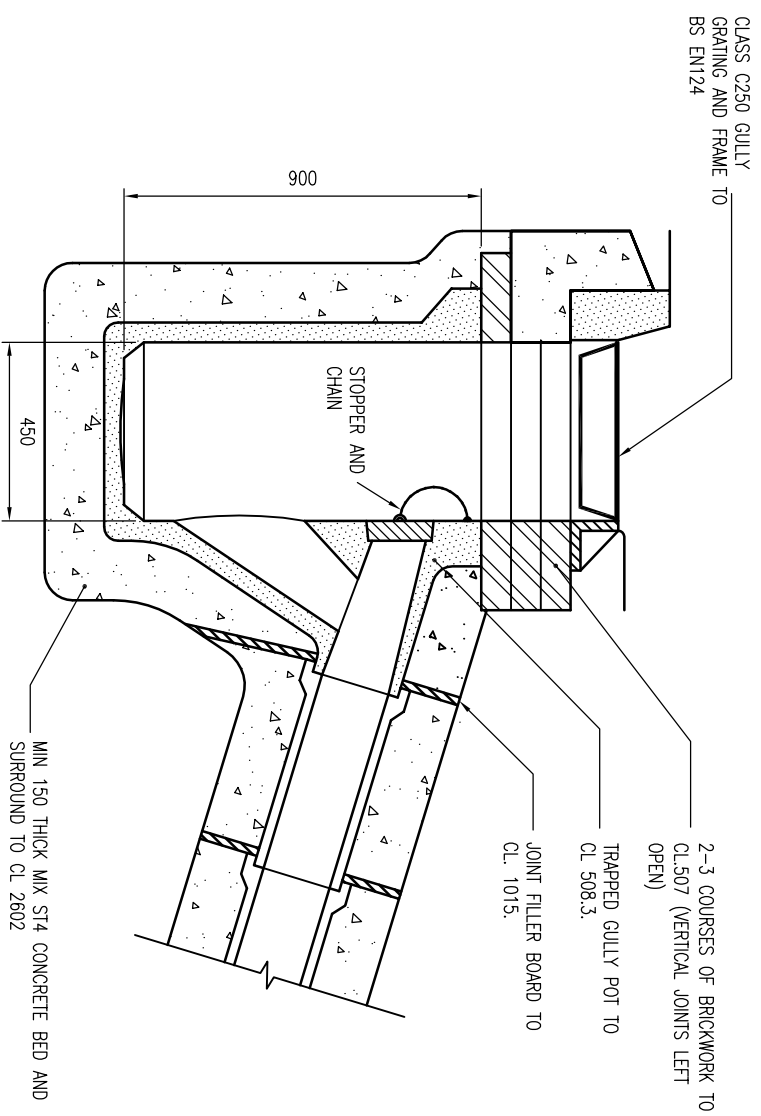


DO NOT SCALE

NOTES

1. ALL DIMENSIONS IN MILLIMETRES UNLESS OTHERWISE STATED.
2. WHEN THE COVER FROM THE TOP OF THE GULLY CONNECTION TO FINISHED LEVEL IS LESS THAN 1200 WITHIN THE CARRAGEWAY AND 900 IN THE VERGE, THEN A CONCRETE ST4 150 BED AND SURROUND SHOULD BE PROVIDED TO THE GULLY CONNECTIONS.
3. GULLIES AND CONNECTIONS TO BE IN ACCORDANCE WITH CL 508.3



TRAPPED GULLY WITH
SPIGOT OUTLET

REV	DATE	BY	DESCRIPTION	CHK	APP
C	03/12/08	JH	ISSUED FOR TECHNICAL APPROVAL	JMM	JH
B	28/05/08	DP	MINOR AMENDMENTS	JM	JM
A	17/09/07	DAH	FIRST ISSUE	JM	JPP

DRAWING STATUS: **FOR TECHNICAL APPROVAL**



Mountbatten House, Basing View, Basingstoke, Hampshire RG21 4HU
Tel: +44 (0)1256 318800 Fax: +44 (0)1256 318700
<http://www.wspgroup.com>

CLIENT: **COUNTRYSIDE PROPERTIES**

ARCHITECT:

PROJECT:

**SOUTH WEST BICESTER
BICESTER, OXFORDSHIRE**

TITLE: **SECTION 278 WORKS
TRAPPED GULLY**

SCALE @ A3	N.T.S.	CHECKED: JM	APPROVED: JDP
CAD FILE:	1903-SD-015.DWG	DESIGN/DRAWN: DAH	DATE: September 2007
PROJECT No:	11011903	DRAWING No:	1903/SD/015
		REV:	C

© WSP Group plc