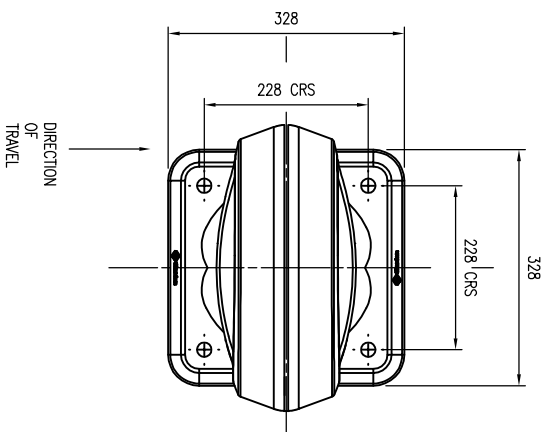


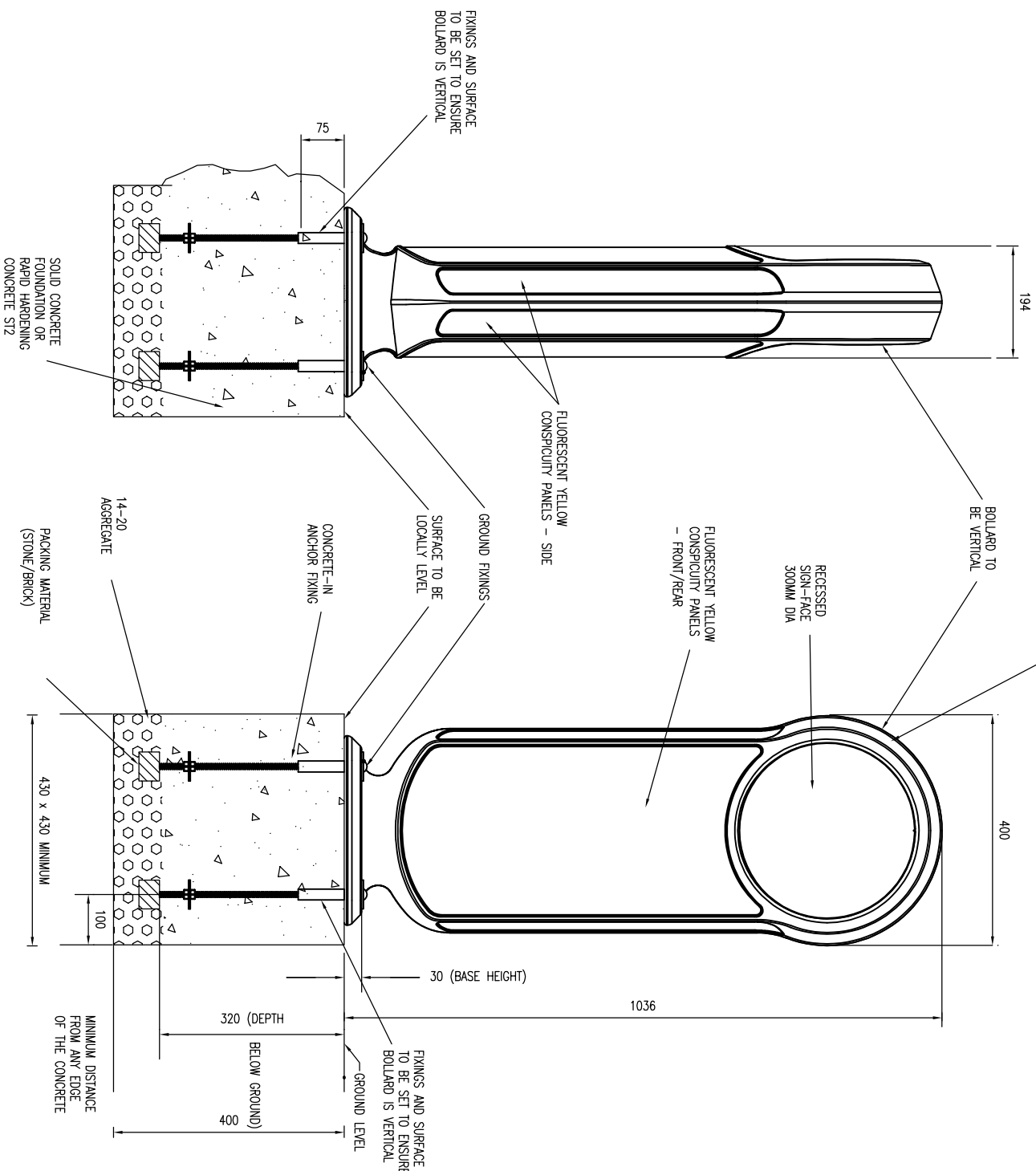
	DIAG. 610
	DIAG. 610 REVERSED
	DIAG. 611

	DIAG. 606
	DIAG. 606 REVERSED
	PLAN INSERT

DIAGRAM NUMBERS REFER TO THE TRAFFIC SIGNS REGULATIONS AND GENERAL DIRECTIONS 2002.



PLAN VIEW



SIDE VIEW

FRONT VIEW

DO NOT SCALE

NOTES:

1. ALL DIMENSIONS ARE IN MILLIMETRES.
2. ENSURE TRAFFIC SIGN FACE SIDE IS ORIENTATED CORRECTLY AND FACING ONCOMING TRAFFIC.
3. CONTACT WITH HOT BITUMINOUS MATERIALS IS TO BE AVOIDED AS BOLLARD PERFORMANCE WILL BE SERIOUSLY IMPAIRED.
4. STANDARD INSTALLATION WITH GRADE ST2 RAPID HARDENING CONCRETE AS SPECIFIED BY THE ENGINEER.
5. BOLLARD SIGN FACES AS SPECIFIED BY THE ENGINEER.
6. BOLLARD COLOUR AS SPECIFIED BY THE ENGINEER.

REV	DATE	BY	DESCRIPTION	CHK	APP
C	03/12/08	JH	ISSUED FOR TECHNICAL APPROVAL	JM	JH
B	28/05/08	DP	UPDATED WITH NEW DETAILS	JB	JM
A	11/03/08	PJ	FIRST ISSUE	LH	JM

DRAWING STATUS: **FOR TECHNICAL APPROVAL**



Mountbatten House, Basing View, Basingstoke, Hampshire RG21 4HU
 Tel: +44 (0)1256 318800 Fax: +44 (0)1256 318700
<http://www.wspgroup.com>

COUNTRYSIDE PROPERTIES

CLIENT:

ARCHITECT:

PROJECT:

SOUTH WEST BICESTER
 BICESTER, OXFORDSHIRE

SECTION 278 WORKS
 GLADSON REBOUND BOLLARD

TITLE:

SCALE @ A3	N.T.S.	CHECKED:	LH	APPROVED:	JM
CAD FILE	1903-SD-012	DESIGN/DRAWN:	PJ	DATE:	March 2008
PROJECT No:	11011903	DRAWING No:	1903/SD/012	REV:	C

© WSP Group plc