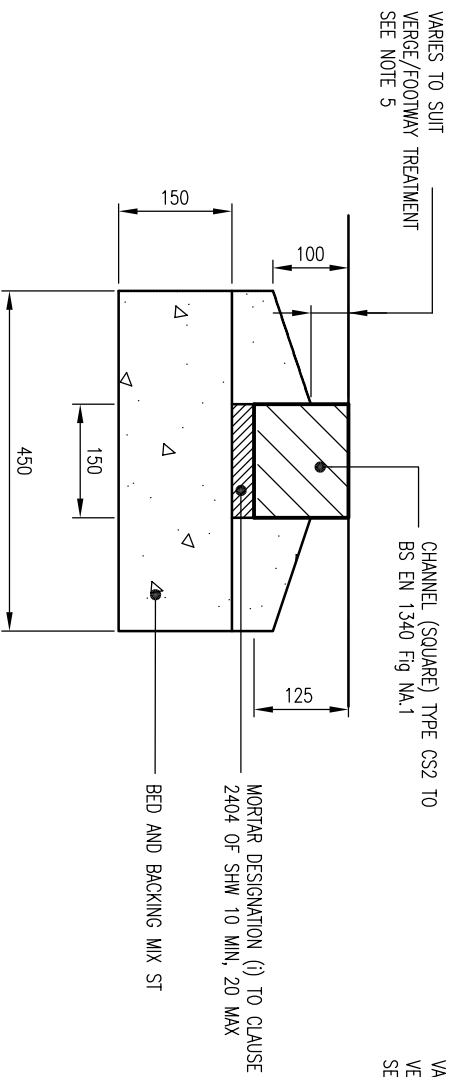
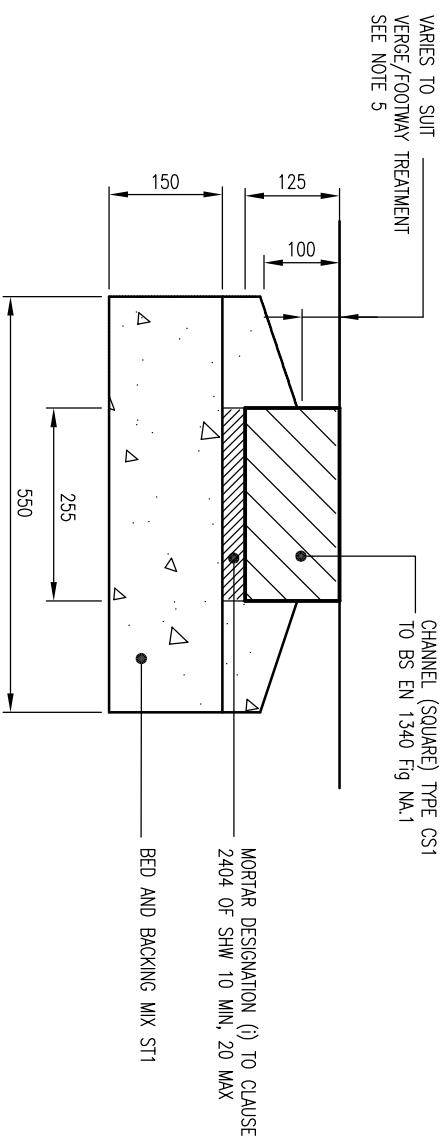


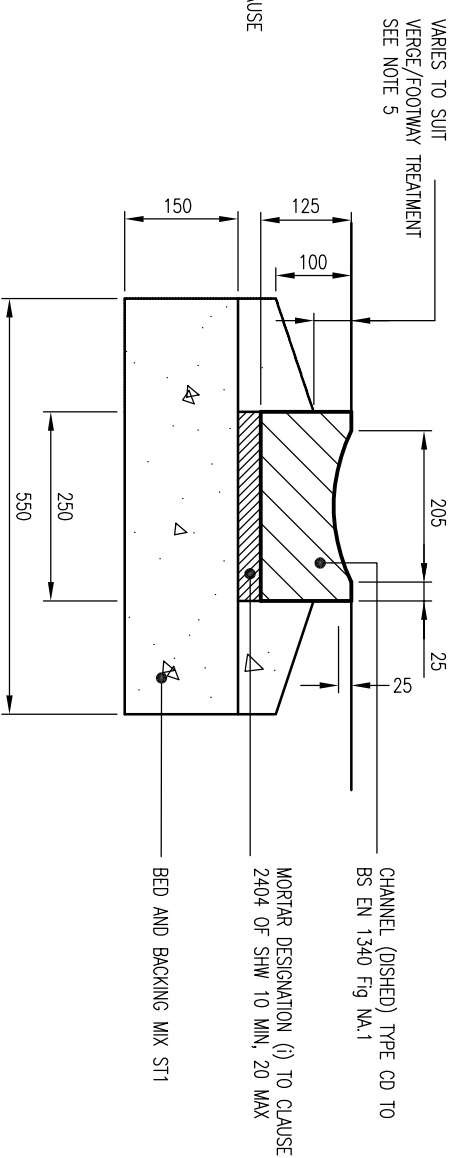
HALF BATTERED KERB TYPE HB3



CHANNEL (SQUARE) TYPE CS2



CHANNEL (SQUARE) TYPE CS1



CHANNEL (DISHED) TYPE CD

NOTES:

**DO NOT SCALE**

1. ALL DIMENSIONS ARE IN MILLIMETRES UNLESS OTHERWISE STATED.
2. ALL CLAUSE NUMBERS REFER TO THE SPECIFICATION FOR HIGHWAY WORKS (SHW), LATEST EDITION.
3. ALL PRECAST CONCRETE UNITS ARE TO CONFORM TO AND BE LAID IN ACCORDANCE WITH CL.1101 OF THE SPECIFICATION FOR HIGHWAY WORKS LATEST EDITION.
4. KERB, BED AND BACKING SHALL BE ST1 GRADE CONCRETE TO CL.2602 OF THE SHW, LATEST EDITION.
5. TO BE 30mm WHEN ADJACENT TO THE GRASSED VERGE, AND 30mm PLUS THE DEPTH OF THE PAVING STONE WHEN ADJACENT TO PAVING STONES.
6. MECHANICAL HANDLING OF HEAVY ITEMS IS RECOMMENDED

TYPICAL WEIGHTS:  
STANDARD PCC HB2 KERBS 69KG  
CONSERVATION KERB 83KG  
STANDARD PCC EDGING 45KG

REV	DATE	BY	DESCRIPTION	CHK	APP
C	03/12/08	JH	ISSUED FOR TECHNICAL APPROVAL	JMM	JH
B	28/05/08	DP	MINOR AMENDMENTS	JMM	JMM
A	17/09/07	DAH	FIRST ISSUE	JMM	JJP

FOR TECHNICAL APPROVAL



Mounbatten House, Basing View, Basingstoke, Hampshire RG21 4HU  
Tel: +44 (0)1256 318800 Fax: +44 (0)1256 318700  
<http://www.wspgroup.com>

COUNTRYSIDE PROPERTIES

CLIENT:

ARCHITECT:

SOUTH WEST BICESTER  
BICESTER, OXFORDSHIRE

TITLE:  
SECTION 278 WORKS  
KERBS TYPES SHEET 2 OF 3

SCALE @ A3	N.T.S.	CHECKED:	JMM	APPROVED:	JDP
------------	--------	----------	-----	-----------	-----

DAO FILE	1903-SD-005.DWG	DESIGN/DRAWN:	DAH	DATE:	September 2007
----------	-----------------	---------------	-----	-------	----------------

PROJECT No:	11011903	DRAWING No:	1903/SD/005	REV:	C
-------------	----------	-------------	-------------	------	---