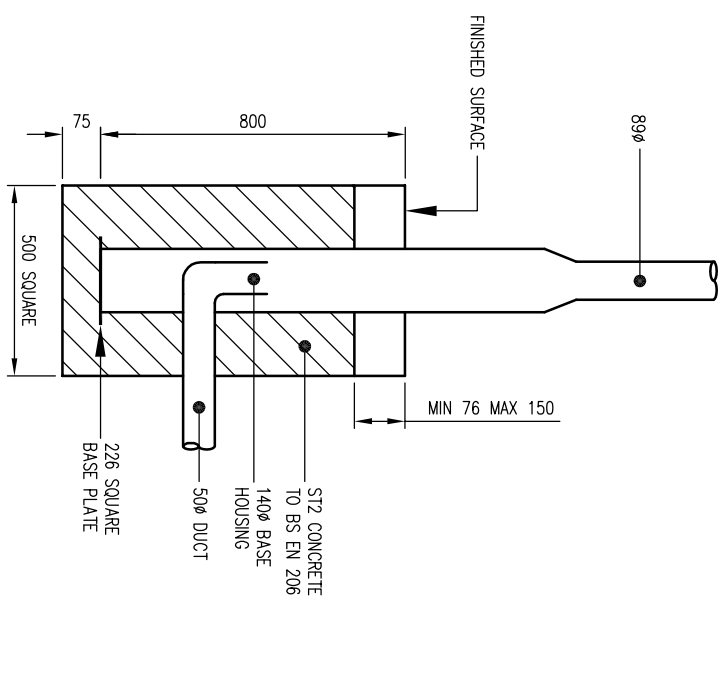
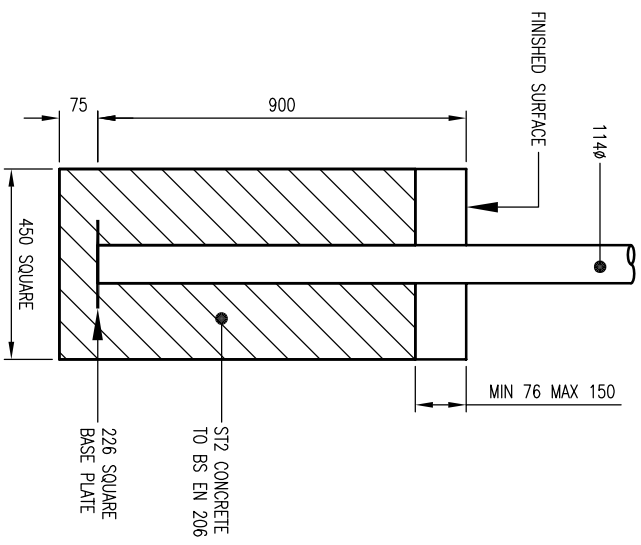


TYPE B STRAIGHT

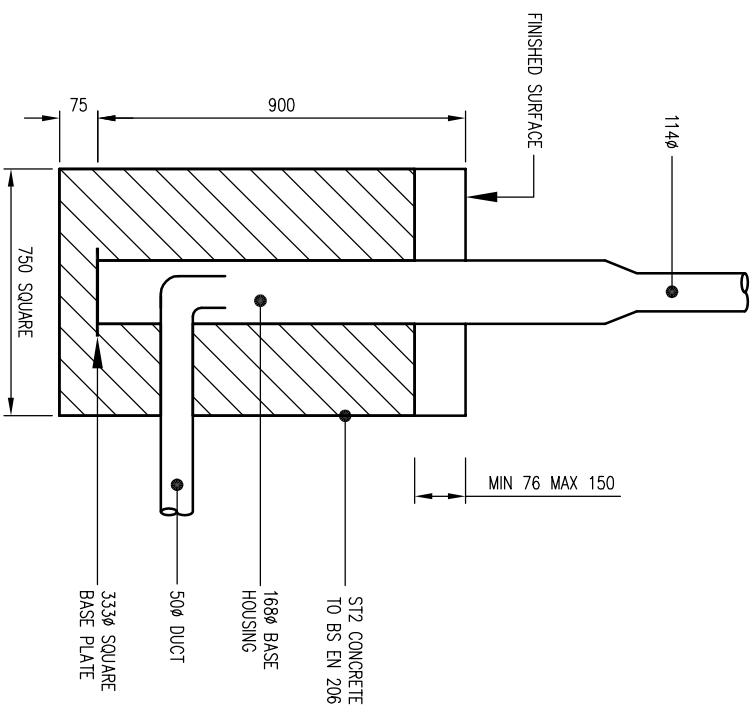


TYPE G LARGE BASED



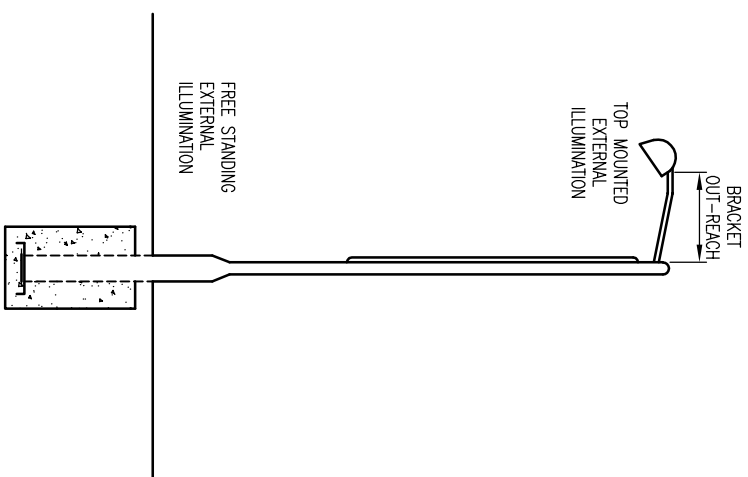
TYPE C

TUBULAR SECTION POSTS

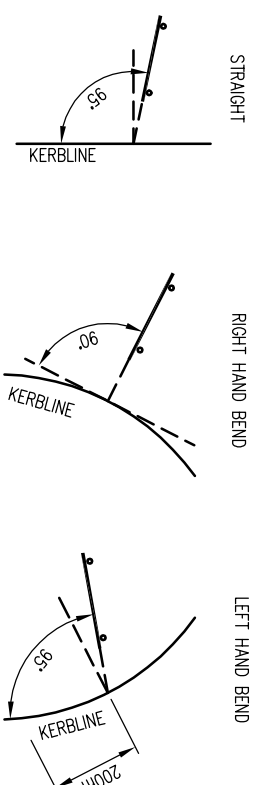


TYPE H

TUBULAR SECTION POSTS WITH BASE HOUSING



SIDE ELEVATION



ORIENTATION OF SIGN TO AVOID SPECULAR REFLECTION

CONCRETE BASES FOR SIGN POSTS

TYPICAL SIGN MOUNTING DETAIL

DO NOT SCALE

NOTES:

1. ALL DIMENSIONS ARE IN MILLIMETRES UNLESS OTHERWISE STATED.
2. ALL CLAUSE NUMBERS REFER TO THE SPECIFICATION FOR HIGHWAY WORKS, LATEST EDITION.
3. FOUNDATIONS TO BE MAX ST2 CONCRETE
4. ALL SIGNING SHALL ACCORD WITH THE TRAFFIC SIGNS REGULATIONS AND GENERAL DIRECTIONS 2002.
5. LOCATION OF SIGNING SHALL BE WITHIN THE ADOPTED HIGHWAY. EXACT LOCATIONS SHALL BE AGREED WITH THE ENGINEER ON SITE PRIOR TO PREPARATION OF FOUNDATIONS/EXCAVATIONS AND SIGN ERECTION.
6. PRIOR TO PLACING THE CONCRETE THE CONTRACTOR SHALL ENSURE THAT SIGN POSTS ARE VERTICAL AND CORRECTLY ORIENTATED.
7. SIGNS SHALL ONLY BE FITTED AFTER ERECTION AND CONCRETING OF POSTS.
8. FOR DETAILS OF SIGN SIZES, MOUNTING HEIGHTS, ILLUMINATION REQUIREMENTS, POSTS, FOUNDATIONS AND MATERIALS SEE SIGN SCHEDULES.

REV	DATE	BY	DESCRIPTION	CHK	APP
C	03/12/08	JH	ISSUED FOR TECHNICAL APPROVAL	JM	JH
B	28/05/08	JH	CONCRETE BASES FOR SIGN POSTS ADDED	LH	JM
A	17/09/07	DAH	FIRST ISSUE	JM	JJP

FOR TECHNICAL APPROVAL



Mounbatten House, Basing View, Basingstoke, Hampshire RG21 4HU
 Tel: +44 (0)1256 318800 Fax: +44 (0)1256 318700
<http://www.wspgroup.com>

COUNTRYSIDE PROPERTIES

SOUTH WEST BICESTER
 BICESTER, OXFORDSHIRE

SECTION 278 WORKS
 TYPICAL SIGN MOUNTING DETAILS

SCALE @ A3	N.T.S.	CHECKED:	JM	APPROVED:	JJP
CAD FILE:	1903-SD-011.DWG	DESIGN/DRAWN:	DAH	DATE:	September 2007
PROJECT No:	11011903	DRAWING No:	1903/SD/011	REV:	C