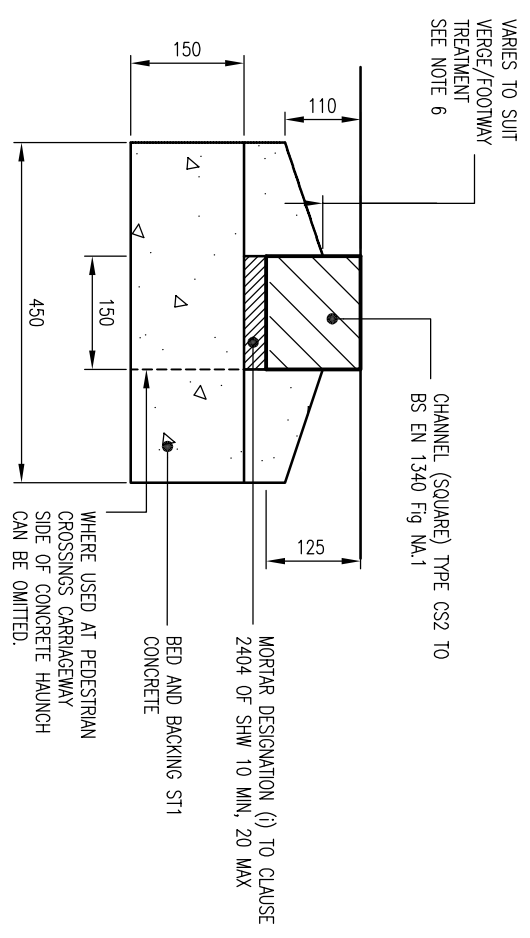
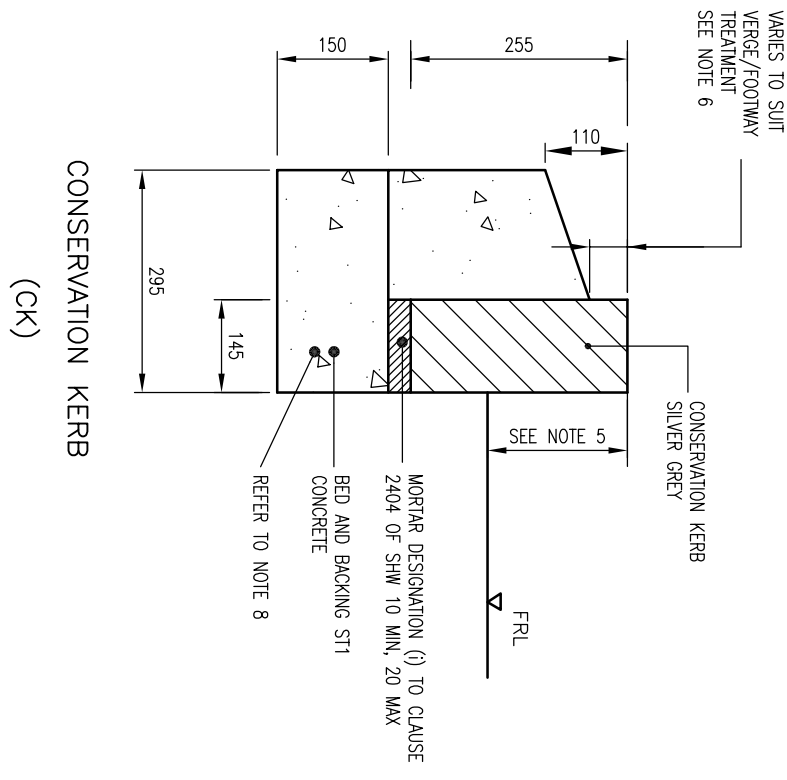


- NOTES:
1. ALL DIMENSIONS ARE IN MILLIMETRES UNLESS OTHERWISE STATED.
 2. ALL CLAUSE NUMBERS REFER TO THE SPECIFICATION FOR HIGHWAY WORKS (SHW), LATEST EDITION.
 3. ALL PRECAST CONCRETE UNITS ARE TO CONFORM TO AND BE LAID IN ACCORDANCE WITH CL.1101 OF THE SPECIFICATION FOR HIGHWAY WORKS LATEST EDITION.

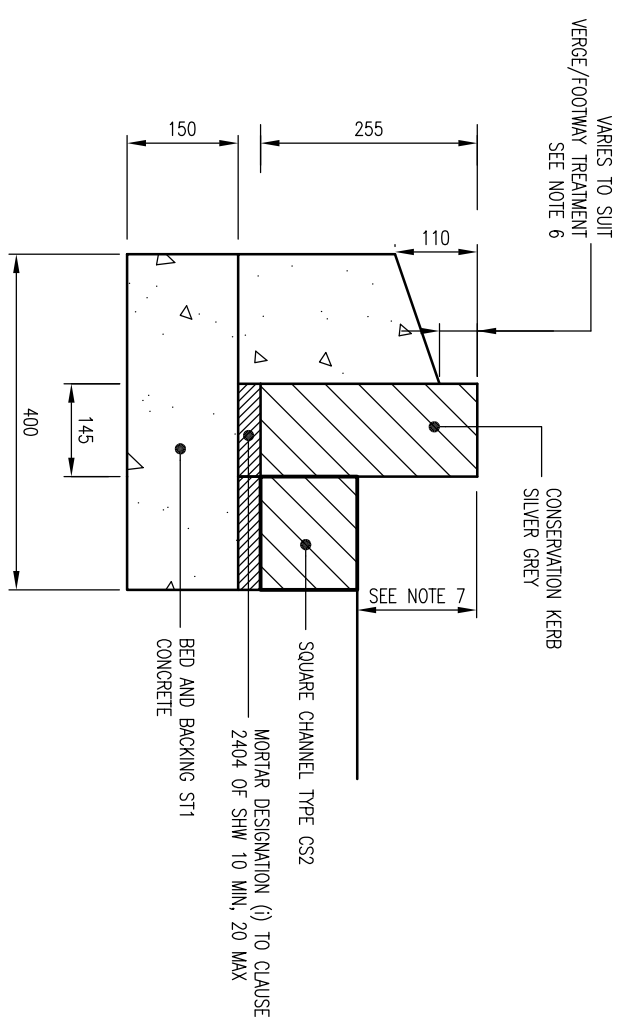


FOR CONSERVATION CHANNEL (SQUARE) TYPE CK2
USE CHANNEL (SQUARE) TYPE CS2

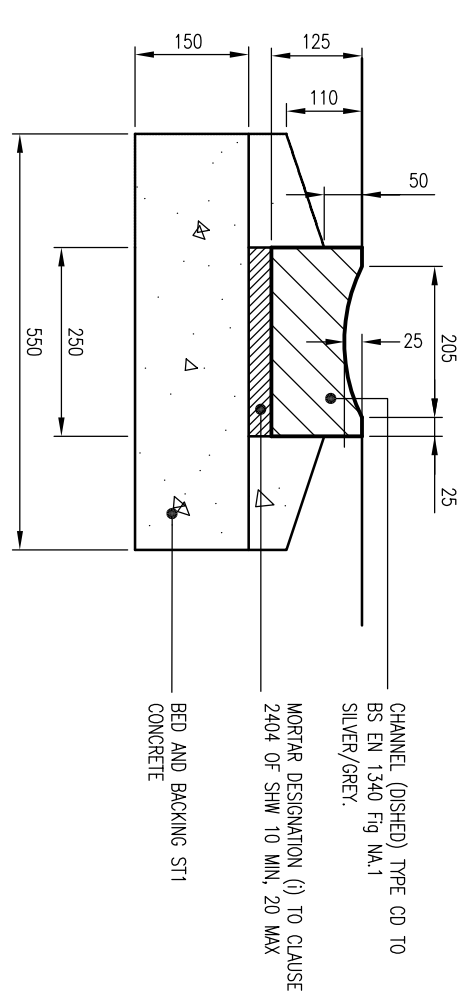


CONSERVATION KERB
(CK)

- NOTES:
4. KERB, BED AND BACKING SHALL BE ST1 GRADE CONCRETE TO CL.2602 OF THE SHW, LATEST EDITION.
 5. MECHANICAL HANDLING OF HEAVY ITEMS IS RECOMMENDED. TYPICAL WEIGHTS:
STANDARD PCC HB2 KERBS 69KG
CONSERVATION KERB 83KG
STANDARD PCC EDGING 45KG
 6. TO BE 30mm WHEN ADJACENT TO THE GRASSED VERGE, AND 50mm PLUS THE DEPTH OF THE PAVING STONE WHEN ADJACENT TO PAVING STONES.
 7. CONSERVATION KERB FACE (CK) TO BE 160mm HIGH UNLESS OTHERWISE INDICATED.
 8. FOR CONSERVATION KERB (CK) LOCATED AT ENDS OF CENTRAL RESERVATION (SPINE ROAD A CH0.000-420.000 INSTALL WITH 10 MM OPEN GAPS FOR DRAINAGE ALSO LEAVE OPENING IN BACKING AT JOINT.



CONSERVATION KERB AND CHANNEL
(CKC)



CHANNEL (DISHED) TYPE CD

REV	DATE	BY	DESCRIPTION	CHK	APP
E	27/08/09	JAM	CHANGE OF CK2 SQ. CHANNEL TO CS2	JAM	JH
D	08/01/09	DP	TEXT AND NOTE AMENDMENTS	JAM	JH
C	12/12/08	JH	ISSUED FOR TECHNICAL APPROVAL	JAM	JH
B	30/05/08	JH	MINOR AMENDMENTS	LH	JM
A	11/03/08	PJ	FIRST ISSUE	LH	JM

DRAWING STATUS:
FOR TECHNICAL APPROVAL



Mountbatten House, Basing View, Basingstoke, Hampshire RG21 4HU
Tel: +44 (0)1256 318800 Fax: +44 (0)1256 318700
<http://www.wspgroup.com>

CLIENT:
COUNTRYSIDE PROPERTIES

ARCHITECT:
PROJECT:
SOUTH WEST BICESTER
BICESTER, OXFORDSHIRE

TITLE:
ON SITE WORKS
KERB TYPES SHEET 2 OF 3

SCALE @ A3: 1:10	CHECKED: LH	APPROVED: JM
CAD FILE: 1903-SD-211	DESIGNER/PAINTER: PJ	DATE: January 2008
PROJECT No: 11011903	DRAWING No: 1903/SD/211	REV: E