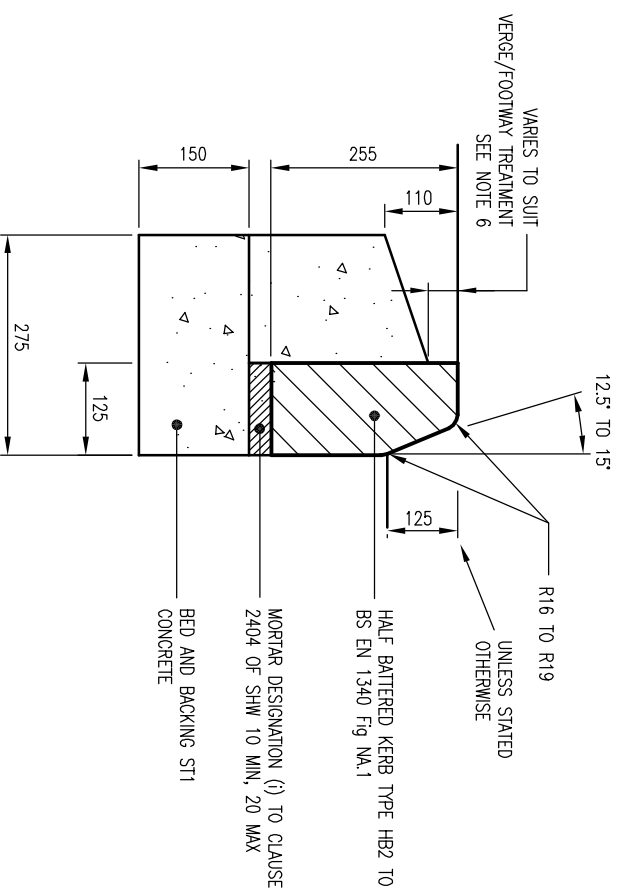
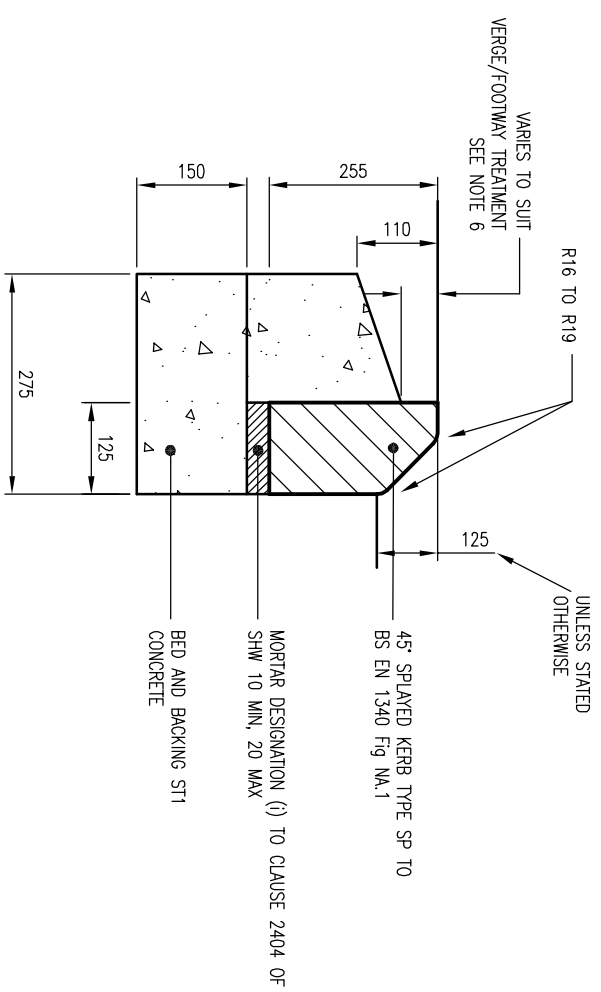


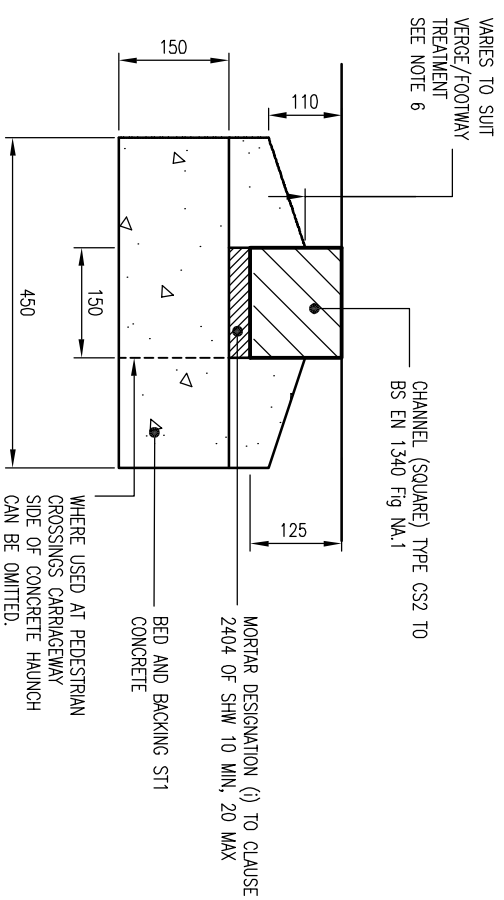
BULLNOSED KERB TYPE BN



HALF BATTERED KERB TYPE HB2



45° SPAYED KERB TYPE SP



CHANNEL (SQUARE) TYPE CS2

NOTES:

DO NOT SCALE

1. ALL DIMENSIONS ARE IN MILLIMETRES UNLESS OTHERWISE STATED.
2. ALL CLAUSE NUMBERS REFER TO THE SPECIFICATION FOR HIGHWAY WORKS (SHW), LATEST EDITION.
3. ALL PRECAST CONCRETE UNITS ARE TO CONFORM TO AND BE LAID IN ACCORDANCE WITH CL.1101 OF THE SPECIFICATION FOR HIGHWAY WORKS LATEST EDITION.
4. KERB, BED AND BACKING SHALL BE ST1 GRADE CONCRETE TO CL.2602 OF THE SHW, LATEST EDITION.
5. CONSERVATION KERB FACE (CK) TO BE 160mm HIGH UNLESS OTHERWISE INDICATED.
6. TO BE 30mm WHEN ADJACENT TO THE GRASSED VERGE, AND 30mm PLUS THE DEPTH OF THE PAVING STONE WHEN ADJACENT TO PAVING STONES.
7. MECHANICAL HANDLING OF HEAVY ITEMS IS RECOMMENDED TYPICAL WEIGHTS:
STANDARD PCC HBZ KERBS 69KG
CONSERVATION KERB 83KG
STANDARD PCC EDGING 45KG

REV	DATE	BY	DESCRIPTION	CHK	APP
A	11/03/08	JH	FIRST ISSUE	LH	JM

DRAWING STATUS:
FOR CLIENT APPROVAL



Mountbatten House, Basing View, Basingstoke, Hampshire RG21 4HJ
Tel: +44 (0)1256 318800 Fax: +44 (0)1256 318700
<http://www.wspgroup.com>

CLIENT:
COUNTRYSIDE PROPERTIES

ARCHITECT:

PROJECT:
**SOUTH WEST BICESTER
BICESTER, OXFORDSHIRE**

TITLE:
**ON SITE WORKS
KERB TYPES SHEET 1 OF 3**

SCALE @ A3:
N.T.S

CAD FILE:
1903-SD-210

PROJECT No:
11011903

© WSP Group plc