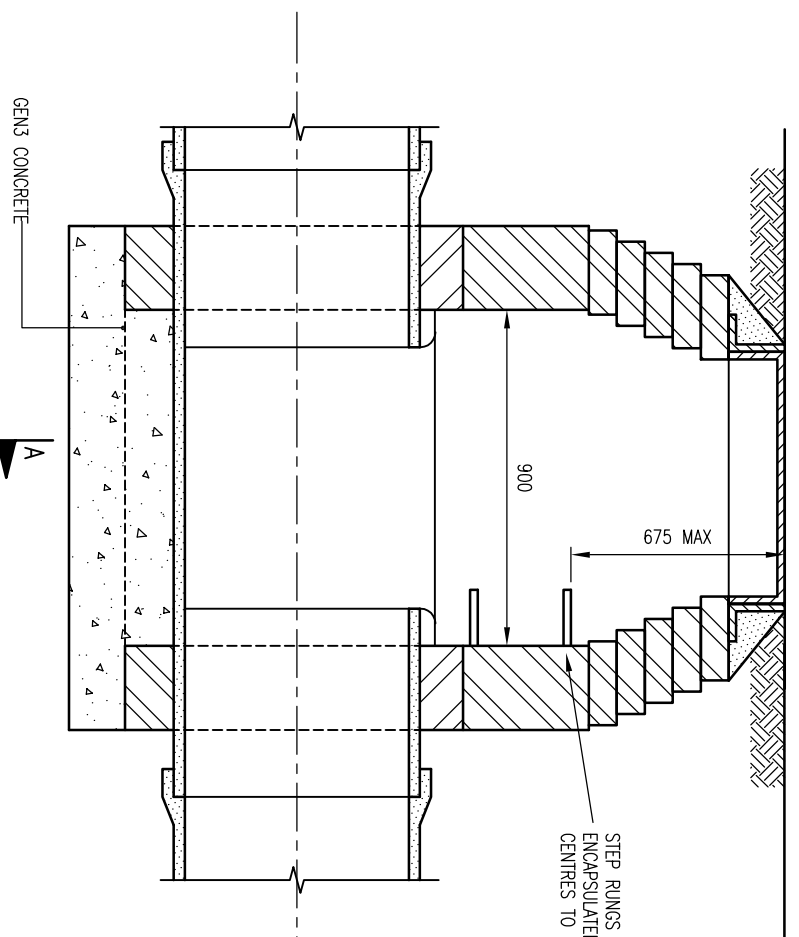


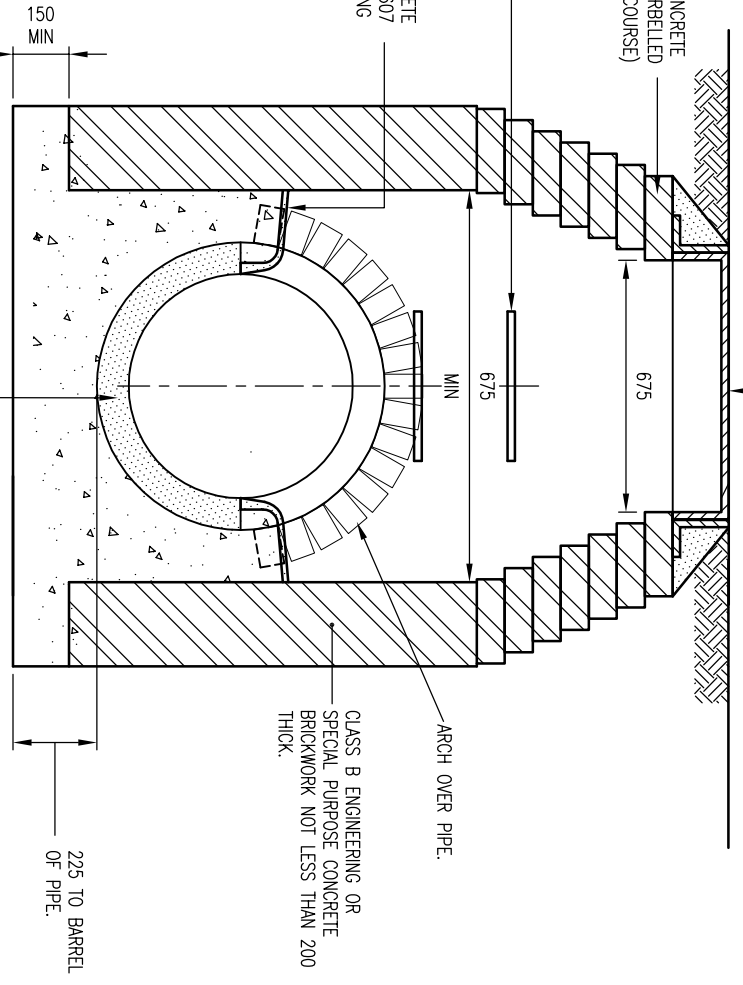
A



SECTION B-B

PIPE JOINT WITH CHANNEL TO BE 100 INSIDE FACE OF CHAMBER.

675x675 MINIMUM COVER BEDDED ON MORTAR



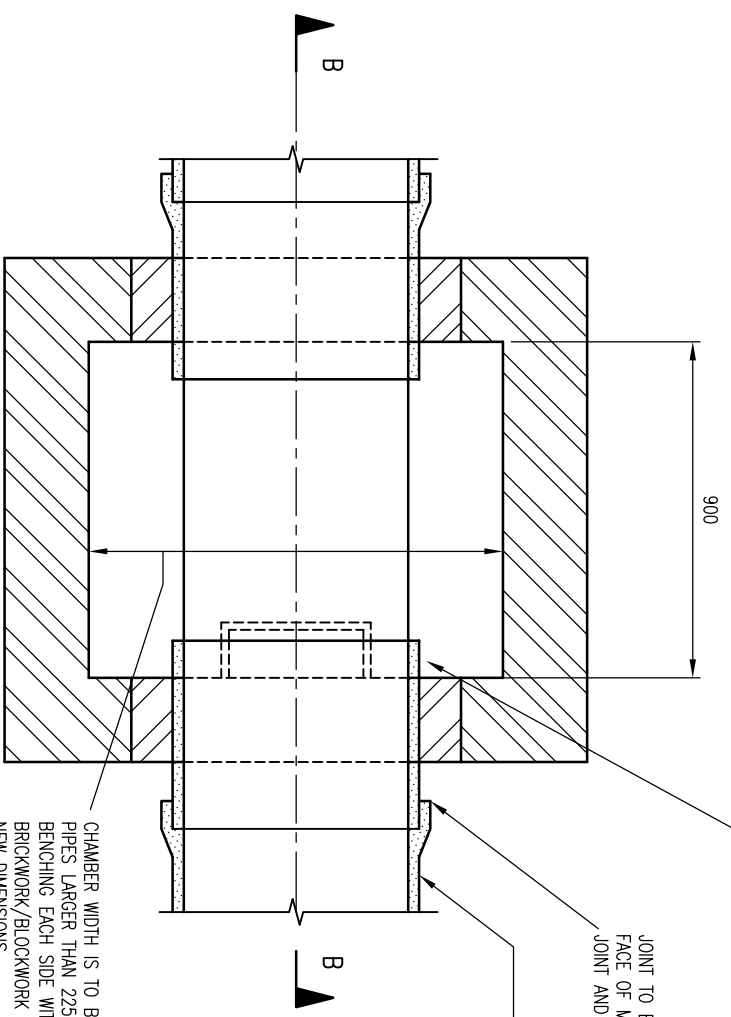
SECTION A-A

INVERTS FORMED USING CHANNEL PIPES

225 TO BARREL OF PIPE.

JOINT TO BE AS CLOSE AS PRACTICABLE TO FACE OF MANHOLE TO PERMIT SATISFACTORY JOINT AND SUBSEQUENT MOVEMENT.

SEE TABLE FOR RECOMMENDED ROCKER PIPE LENGTH



PLAN

CHAMBER WIDTH IS TO BE INCREASED FOR PIPES LARGER THAN 225 DIA. TO GIVE 225 BRICKWORK/BLOCKWORK CORBELLED TO SUIT NEW DIMENSIONS

**ROCKER PIPE LENGTHS:**

NOMINAL DIAMETER (mm)	EFFECTIVE LENGTH (mm)
150-600	600
675-750	1000
OVER 750	1250

**DO NOT SCALE**

NOTES

1. ALL DIMENSIONS IN MILLIMETRES.
2. REFER TO 1903/SD/100 (DRAINAGE NOTES)
3. THE USE OF PRECAST RECTANGULAR CONCRETE MANHOLE UNITS WITH 150 GEN'S CONCRETE SURROUND SHALL BE PERMITTED WHERE ACCEPTED BY THE ENGINEER AND THE UNDERTAKER.

REV	DATE	BY	DESCRIPTION	CHK	APP
B	03/12/08	JH	ISSUED FOR TECHNICAL APPROVAL	JHM	PJ
A	28/05/08	PJ	FIRST ISSUE	LH	JM

FOR TECHNICAL APPROVAL



Mountbatten House, Basing View, Basingstoke, Hampshire RG21 4HU  
 Tel: +44 (0)1256 318800 Fax: +44 (0)1256 318700  
<http://www.wspgroup.com>

COUNTRYSIDE PROPERTIES

PROJECT: SOUTH WEST BICESTER  
 BICESTER, OXFORDSHIRE

TITLE: ON SITE WORKS  
 MANHOLE DETAIL TYPE D  
 (DEPTH TO SOFFIT LESS THAN 1.00m)

SCALE @ A3	CHECKED:	APPROVED:
1:20	LH	JM
CAD FILE	DESIGN/DRAWN:	DATE:
1903-SD-106	PJ	January 2008

PROJECT No:	DRAWING No:	REV:
11011903	1903/SD/106	B

© WSP Group plc