

DO NOT SCALE

NOTES

1. ALL DIMENSIONS ARE IN MILLIMETRES UNLESS OTHERWISE STATED.
2. REFER TO STANDARD DETAIL 1903/SD/100 (DRAINAGE NOTES)

REV	DATE	BY	DESCRIPTION	CHK	APP
B	03/12/08	JH	ISSUED FOR TECHNICAL APPROVAL	JWM	JH
A	28/05/08	PJ	FIRST ISSUE	LH	JM

FOR TECHNICAL APPROVAL



Mountbatten House, Basing View, Basingstoke, Hampshire RG21 4HU
 Tel: +44 (0)1256 318800 Fax: +44 (0)1256 318700
<http://www.wspgroup.com>

COUNTRYSIDE PROPERTIES

ARCHITECT:

PROJECT:

**SOUTH WEST BICESTER
 BICESTER, OXFORDSHIRE**

TITLE:

**ON SITE WORKS
 MANHOLE TYPE B
 (DEPTH TO SOFFIT 1.35m-3m)**

SCALE @ A3:

1:25

CHECKED:

LH

APPROVED:

JM

CAD FILE:

1903-SD-104

DESIGN/DRAWN:

PJ

DATE:

January 2008

PROJECT No:

11011903

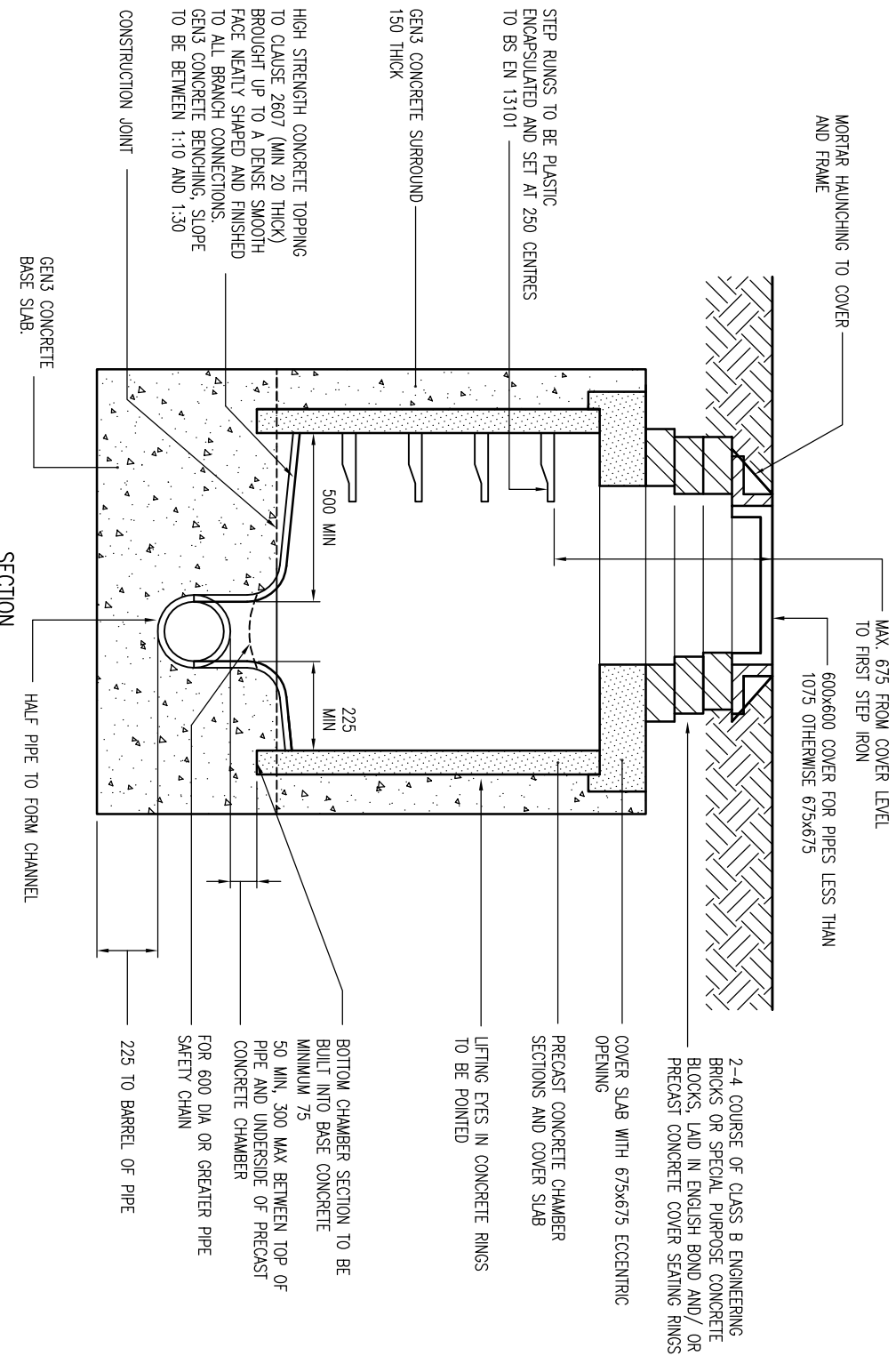
DRAWING No:

1903/SD/104

REV:

B

© WSP Group plc



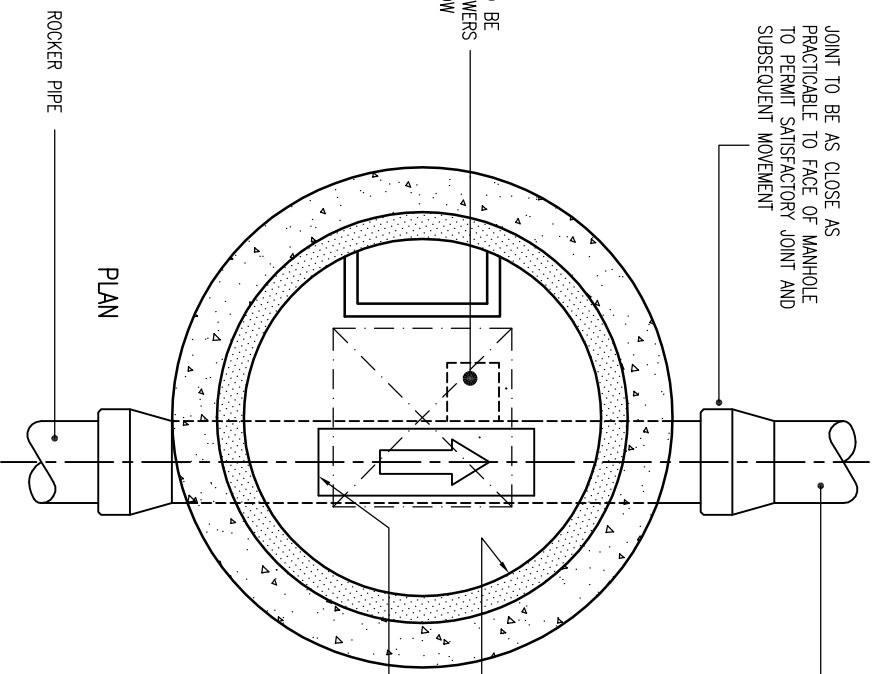
JOINT TO BE AS CLOSE AS PRACTICABLE TO FACE OF MANHOLE TO PERMIT SATISFACTORY JOINT AND SUBSEQUENT MOVEMENT

SEE TABLE FOR RECOMMENDED ROCKER PIPE LENGTH

SELF CLEANING TOE HOLES TO BE PROVIDED IN BENCHING OF SEWERS ABOVE 450 DIAMETER TO ALLOW ACCESS TO INVERT.

REFER TO MANHOLE SCHEDULE FOR DIAMETER

PIPE JOINT WITH CHANNEL TO BE LOCATED MINIMUM 100 INSIDE FACE OF CHAMBER.



ROCKER PIPE LENGTHS

NOMINAL DIAMETER (mm)	EFFECTIVE LENGTH (mm)
150-600	600
601-750	1000
OVER 750	1250